

TITLE

SIGNAL LIGHT ASSEMBLY

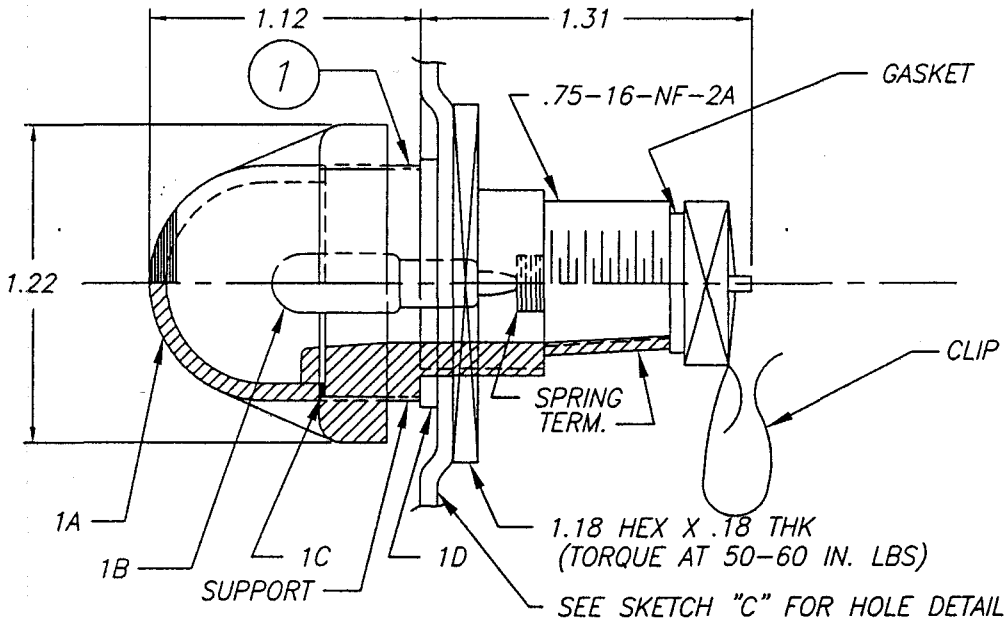
UNLESS OTHERWISE SPECIFIED, TOLERANCES ARE

SURFACES	2 PL DEC	3 PL DEC	ANGLES
✓	± 0.01	± 0.005	± 5 DEG

FIRST MADE FOR

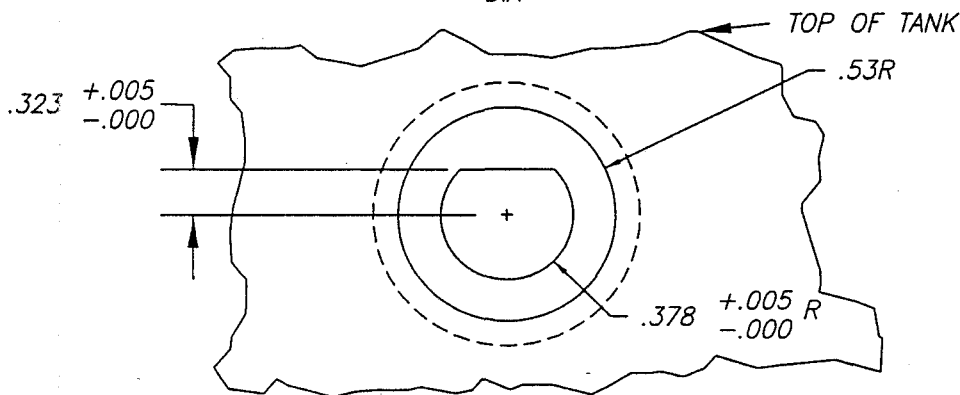
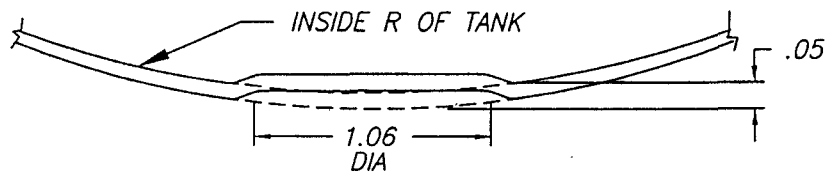
SIGNAL LIGHT

REVISIONS



PARTS FOR SIGNAL LIGHT ASSEMBLY		
ITEM NO	NAME	CATALOG NO
1A	LENS (RED)	5999ZB0199
1B	BULB	5999ZR8399
1C	GASKET	5111ZA0399
1D	GASKET	5111ZA5399
① & HX NUT	COMPLETE ASSEMBLY	7591ZE9499

F01



SKETCH "C"

REVISIONS			
UPDATED TEMPLATE			
STULPIN 29-JAN-99	3		
TRACED TO ACAD			
B. BRITAIN 6-28-95	1		
STULPIN 17-JUL-97	2		
ERMCO-BTL			
PRINTS TO			

MADE BY: D.M. PRITCHARD 2/22/79

ISSUED BY: S. STULPIN 29-JAN-99

APPROVALS

HICKORY ERMCO

3101A2701K001
CONT ON SH 2 SH 1