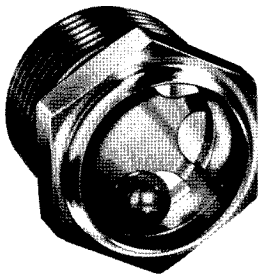


TOMCO

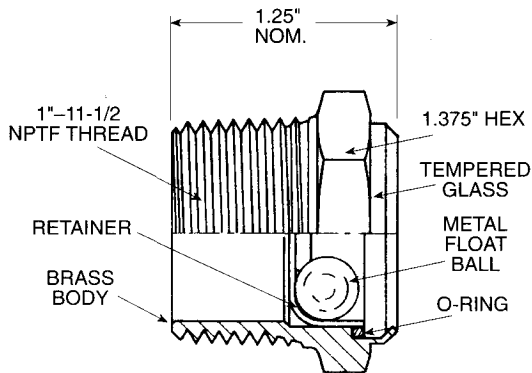
TOMCO FLUID LEVEL SIGHT GAGE

SIDE MOUNT

Work range: to 250°F (121°C) Operating pressure: to 100 psig (7 bar)



MODEL SG35



TOMCO'S sight gage is a universally applicable liquid level indicator for side mounting into supply tanks, transformer cases and other containers where maintenance of proper liquid level is important.

A metal hollow-ball float makes visual assessment easy even when light colored liquids or poorly lighted surroundings make the fluid line difficult to see.

TOMCO SG35 is fully factory-tested to assure leak-proof assembly. It has a brass body and a tempered glass lens. TOMCO's sight gage is recommended for use with fluids having a specific gravity of .80 or higher.