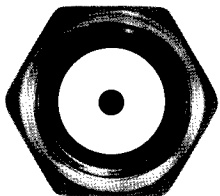
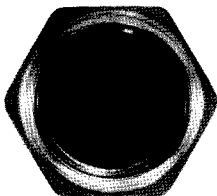
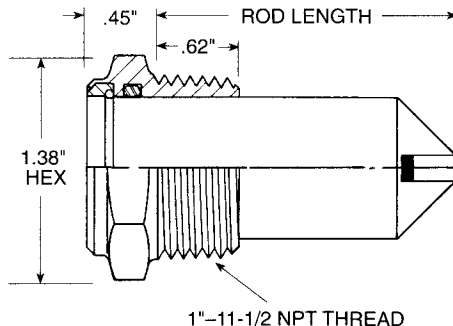


**TOMCO**

# TOMCO LIQUID LEVEL GAGES

**TOP OR BOTTOM MOUNT***Work range: -40°F to 185°F (-40°C to 85°C)**Operating pressure: to 100 psig (7 bar)*

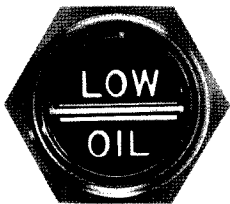
MODEL LG35

**POINT COVERED**  
Black Dot on White**LOW LEVEL**  
Black Dot on Red

TOMCO liquid level gages provide a low-cost, non-mechanical, non-electric, easily installed method of instantly checking fluid levels from an easily viewed top or bottom location.

The length of the liquid level gage's rod must be specified so as to correctly reach the minimum "safe" level of the contained fluid. When the refraction cone at the tip of the rod is covered by the stroed liquid, a black dot appears in the white viewing port. When the liquid level drops below the refraction cone, the viewing port appears bright red—the international warning color demanding immediate attention and action.

TOMCO liquid level gages are 100% dependable. They have no moving parts to fail, no circuits dependent on electrical power sources. Their "full" or "low" signals are invariable regardless of the measured fluid's color, character, suspended particles or specific gravity. The only limitations in fluids with which these gages may be used are acetone or other acrylic solvents.

**OPTIONAL**

Direct reading signal with your choice of customized legend.

MODEL LO35

**TO ORDER** TOMCO liquid level gages, write the part number LG35 or LO35 and add the required length dimensions (in multiples of .25") as a suffix. The maximum rod length is 6.75"; the minimum is 1.25". **EXAMPLE:** LG35-5.25 specifies a TOMCO liquid level gage with 5-1/4" rod.