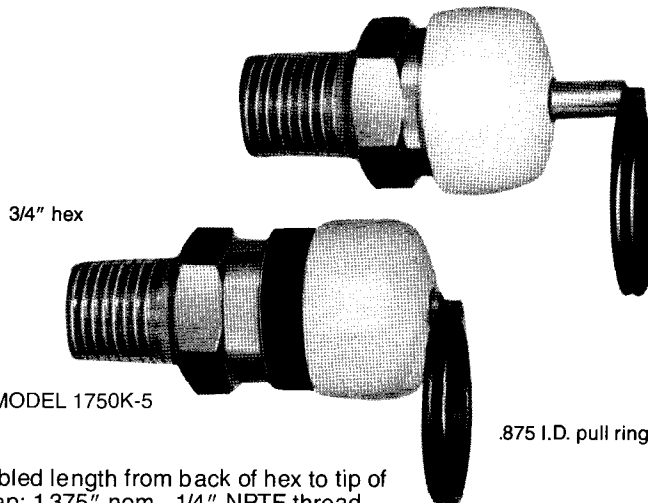


TOMCO

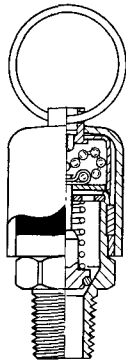
TOMCO/BETA COMPACT RELIEF VALVES

Relieve 50 SCFM at 15 PSI



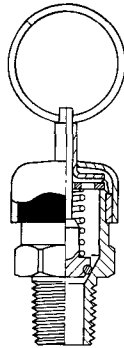
Assembled length from back of hex to tip of vinyl cap: 1.375" nom., 1/4" NPTF thread.

- Cracking pressure: 10 psig \pm 2. Reseats at 8 psig \pm 2. (Other cracking pressures available. Please consult factory for details.) 4-25 psig.
- Seals against vacuum.
- Solid, machined brass body, poppet and sleeve.
- 302 stainless steel spring, guide, "Bug-Out" disc and pull ring.
- Viton seal for heat, ozone, and weather resistance.
- Advanced metallurgical heat treatment of spring prevents temperature/time fatigue.
- High strength precision rolled threads predoped with teflon tape.
- Signal bands of solid injection molded plastic will not flake off like painted-on bands do.
- Series 1750K valves are especially valued where space is limited.



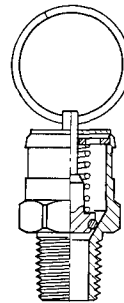
MODEL 1750K-15

White vinyl signal-cap hangs down after automatic relief revealing a bright red signal band on the body. The stainless steel pull ring allows manual pressure release by hand or hot stick.



MODEL 1750K-5

Gray weather-cap moves forward on shaft as a result of automatic relief revealing a bright red signal band on the body. The stainless steel pull ring allows manual pressure release by hand or hot stick.



MODEL 1750K-3

Designed for application where a signal-cap or band is not needed. It has a manual pull ring and a stainless steel "Bug-Out" disc.

