

Liquid Level Indicator

FEATURES

For use on new or retrofitted units

External or internal mounting

UV stabilized polycarbonate lens

Aluminum & brass components

Easy to read dial

White characters on black background

Indoor and outdoor applications



H-J International, Inc. Liquid Level Indicator



standard" Tap Changer, DV Switch or LBOR Switch hole. This feature eliminates the need for weld studs and the use of back-up flanges, thus reducing cost and installation time. A Buna N gasket is provided for an adequate seal. Both bent float and stright float versions are available

Operation . . .

H-J's magnetic oil level indicator is suitable for working with oil temperature between -25°C / $+120^{\circ}\text{C}$ and ambient temperature between -25°C / $+60^{\circ}\text{C}$.



Part Numbers . . .

INT005-001

Bent float version (as shown)

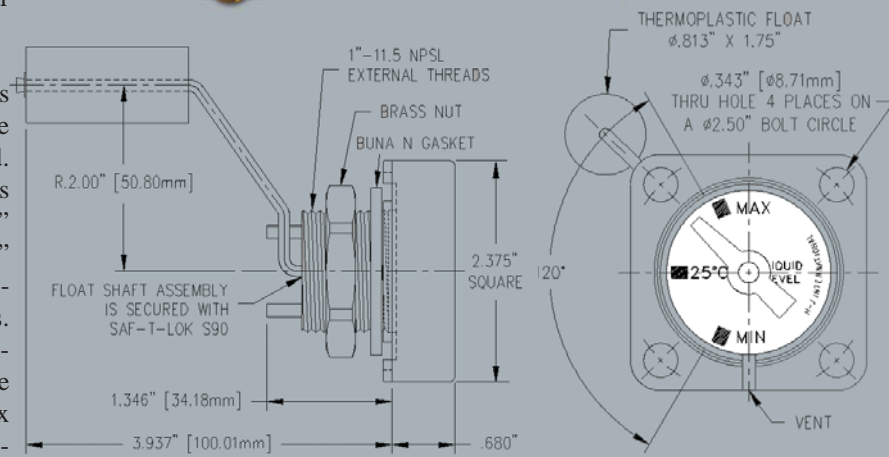
INT005-003

Stright float version (not shown)

Description . . .

The H-J International "Dual Mount" Liquid Level Indicator is composed of a dial face with min. and max. markings. The internal float and external indicator are separated by a solid hermetic seal and are linked and operate by means of a magnetic field, eliminating any possibility of leaking. The dial face has a black background with white indicator and characters for clear visibility.

The "Dual Mount" feature allows the Liquid Level Indicator to be externally or internally mounted. For "external" mounting it features a flange with 4 holes on a 2-1/2" bolt circle, suitable for use with 1/4" weld studs, providing interchangeability with other leading brands. The gage can also be mounted "internally" by means of threaded case design using a standard brass hex nut. Mounting requires a "stan-



H-J International Gages . . .

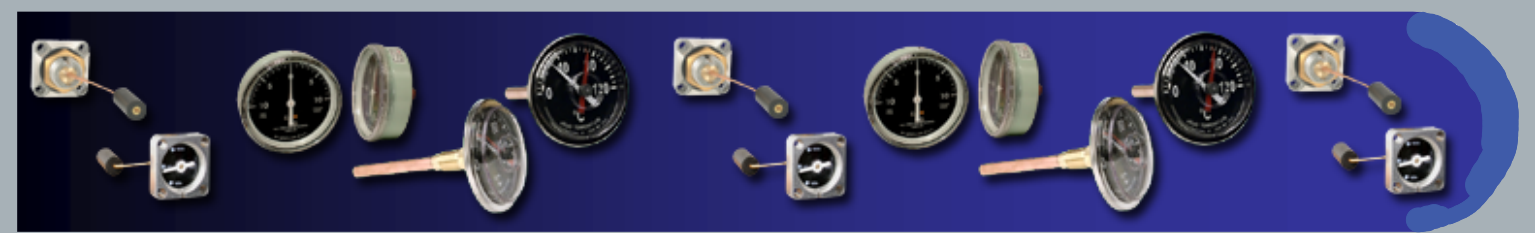
Quality Products of International Reputation . . .



Is not just a slogan at H-J International . . . It's a necessity in today's domestic and international marketplace. H-J International prides itself on our customer service and innovation. Following in this philosophy, H-J International is pleased to offer an extensive NEW line of Instrumentation (Thermometers, Pressure Vacuum Gages & Liquid Level Indicators) . . . This new line of Instrumentation enhances H-J International's ability to offer a complete package of components and accessories for our valued customers. Distribution Transformer and Switchgear Manufacturers, Repair Facilities and Utilities depend on H-J International to provide a broad range of products. Each Instrument is made to H-J's exacting specifications and are in full compliance with all existing industry Standards including IEEE and ANSI. An extensive QA procedure ensures the accuracy and quality of each Instrument. Contact your H-J Sales Representative TODAY . . .



Instruments & Gages



H-J International, Inc.

3010 High Ridge Blvd High Ridge, Missouri USA 63049

Tel: (636) 677-3421 Fax: (636) 376-1915

www.h-jinternational.com



Liquid Temperature Indicator



FEATURES

- Accuracy, 2% of full scale
- Temp. range 0°C - 120°C
- Easy to read dial.
- Black with white characters
- SS & brass components
- UV stable polycarbonate lens
- Resetable maximum temperature indicator
- Long and short stem wells
- Meets ANSI standards

H-J International, Inc. Liquid Temperature Indicator



accurately indicate the stem temperature on the dial face. The maximum hand is carried upscale with the indicating pointer to the highest temperature attained. The maximum hand is easily resettable by turning the magnet on the front of the lens counterclockwise. These gages do not require any kind of maintenance and are suitable for any type of oil.

Part Numbers . . .

INT002-003
Thermometer Mounting Thread: 3/8" NPT
Dial Range: 0-120°C
Stem Length: 4.63"
Well Length: 5.50"
Well Mounting Thread: 1/2" NPT

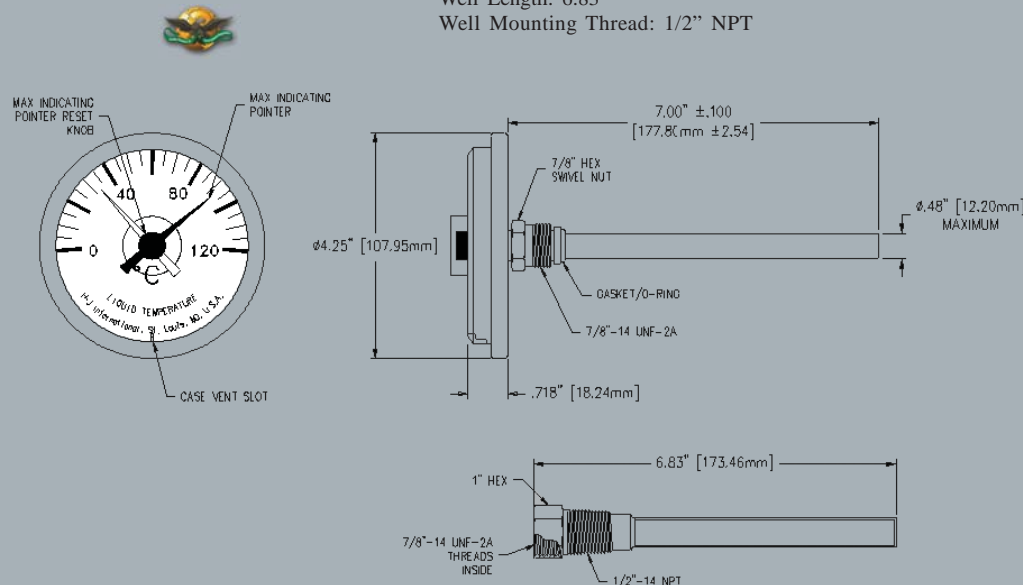
INT002-002
Thermometer Mounting Thread: 7/8" UNF-2A
Dial Range: 0-120°C
Stem Length: 6.00"
Well Length: 6.83"
Well Mounting Thread: 1/2" NPT

Description . . .

The H-J International thermometers are made for indoor or outdoor applications. The stem, case and bezel are all made of stainless steel. The thermometer mounting thread and standard well are constructed of Brass. Clear, molded polycarbonate is used for the lens. Magnetic coupling is used to reset the maximum indicator, which maintains the unit's seal. Each thermometer comes with a Thermowell that mounts into the transformer tank, making an oil tight connection. Both long and short stem thermometers and wells are available.

Operation . . .

Thermal expansion and contraction of the helical bimetal sensing element cause the pointer to rotate and



Vacuum Pressure Gage



FEATURES

- ±2% accuracy in the middle half of the range
- Both indoor and outdoor applications
- UV stabilized polycarbonate lens
- English or Metric scales available
- Easy to read dial
- White characters on black background
- All models meet ANSI standards

H-J International, Inc. Vacuum Pressure Gage



pointer. The removable lens allows zero adjustment if necessary. To protect against breakage and aging, the lens is made of UV stabilized polycarbonate. The accuracy of the gage is ±2% in the middle half of the range and ±3% over the rest of the scale.

Part Numbers . . .

- INT001-001K** -10 to +10 psig
- INT001-002K** -15 to +15 psig
- INT001-003K** -75 to +75 kPa

Description . . .

The H-J International Pressure-Vacuum Gage is design for transformers above 2500kVA or 200kV BIL. It offers extended years of service life in both indoor and outdoor environments. Corrosion resistant materials are used on all internal mechanisms for prolonged protection. A 3-1/2" dial with white characters on the black background make reading easy. In addition, a breather hole on the bottom of the case allows the gage to function accurately while being exposed to constant atmospheric pressure.

Operation . . .

The H-J International Pressure-Vacuum Gage senses pressure changes by using a Bourdon tube element. A gear drive movement transfers the tube's deflection to the

