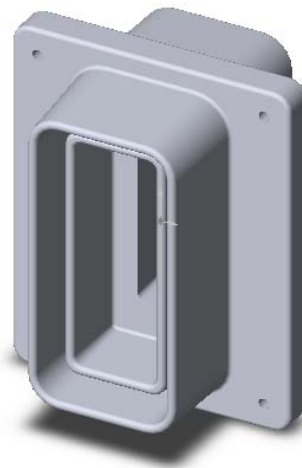




700 Series Through Wall Window Bushings

15 kV Class and Up



Use:

700 Series Wall Bushings are generally designed for use as bus entrance and cell transition insulation in switchgear applications. Numerous window configurations are available to suit most bus sizes. 700 Series Wall Bushings can be used in direct mounting to conductive surfaces or in conjunction with other insulating materials for higher voltages.

Construction:

700 Series Wall Bushings are constructed of rugged cast epoxy. They are a one piece design, which eliminates the need for separate assemblies and adhesives most often associated with GPO and Porcelain bushing combinations. The 700 Series Bushings are available in both Cycloaliphatic and Bis A epoxy materials.

Custom Options:

Numerous window options are available to suit virtually any bus configuration. Consult factory for available window configurations.

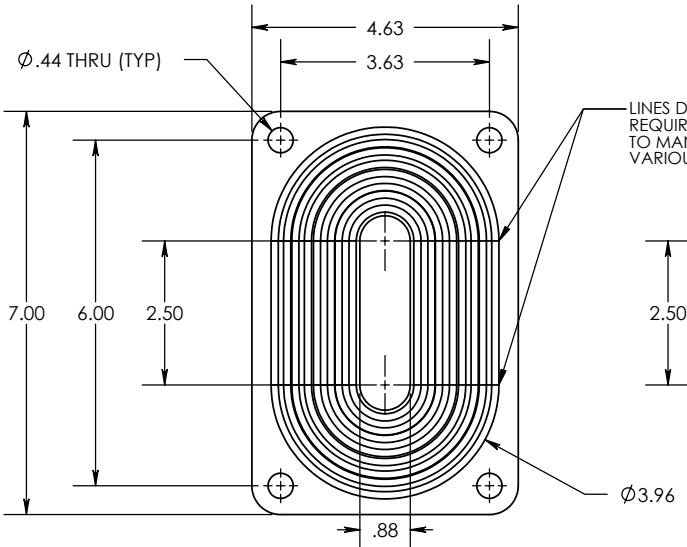
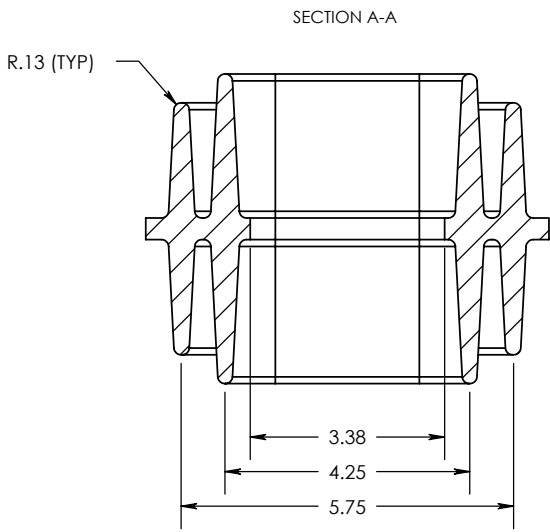
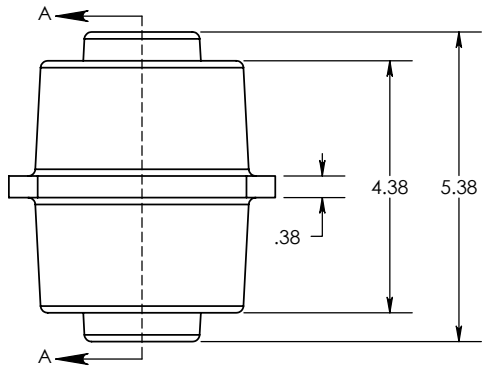
Engineered Power Components Ltd.
Unit E – 10 Keenleyside St.
Winnipeg, Manitoba, Canada
R2L 2B9

Phone: (204) 663-4195
Fax: (204) 663-5256
Toll Free: 1-888-416-8111
Email: sales@epclimited.com
Website: www.epclimited.com

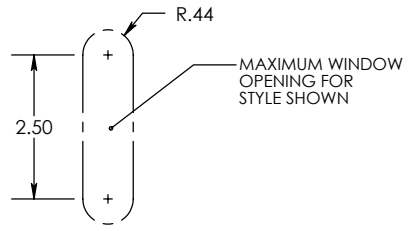
8 7 6 5 4 3 2 1

REV. 0
 THE INFORMATION CONTAINED IN THIS DRAWING IS THE SOLE PROPERTY OF
 ENGINEERED POWER COMPONENTS LTD. ANY REPRODUCTION IN PART OR WHOLE WITHOUT
 THE WRITTEN PERMISSION OF ENGINEERED POWER COMPONENTS LTD. IS PROHIBITED.

CAD FILE:
 700 SERIES
 DWG. NO.
 07-200-000



LINES DENOTE MOLD SECTION LINES
 REQUIRED TO COLLAPSE/EXPAND MOLD
 TO MANUFACTURE BUSHINGS FOR
 VARIOUS BUS SIZES.



- NOTES:**
1. REMOVE ALL EPOXY FLASHING
- SPECIFICATION:**
1. RATED VOLTAGE 15kV
 2. CREEP DISTANCE 9" (MIN)
 3. WEIGHT 3.25 LBS
 4. MATERIAL BIS-A EPOXY (GREY)


REVISIONS
 REF.

0	
---	--

UNLESS OTHERWISE SPECIFIED
 DIMENSIONS ARE IN INCHES.
 TOLERANCES ARE:
 ONE PLACE MM ±0.50
 TWO PLACE MM ±0.25
 TWO PLACE DEC. ±0.020
 THREE PLACE DEC. ±0.010
 ANGLES 1°
 TEMPERATURE ±5°C
 VOLTAGE ±5%
 AMPERAGE ±5%
 RESISTANCE ±5%

* STATISTICAL DIMENSION
 NO. OF SAMPLES [0]

CAD GENERATED DRAWING, DO NOT MANUALLY UPDATE.	
APPROVALS	DATE
DRAWN BY: DB	10/22/1999
CHECKED BY:	
ENGINEERING	
TOOLING REF.	107-200-0
PRODUCT GROUP	700 SERIES



15KV CUSTOM
 WALL BUSHING

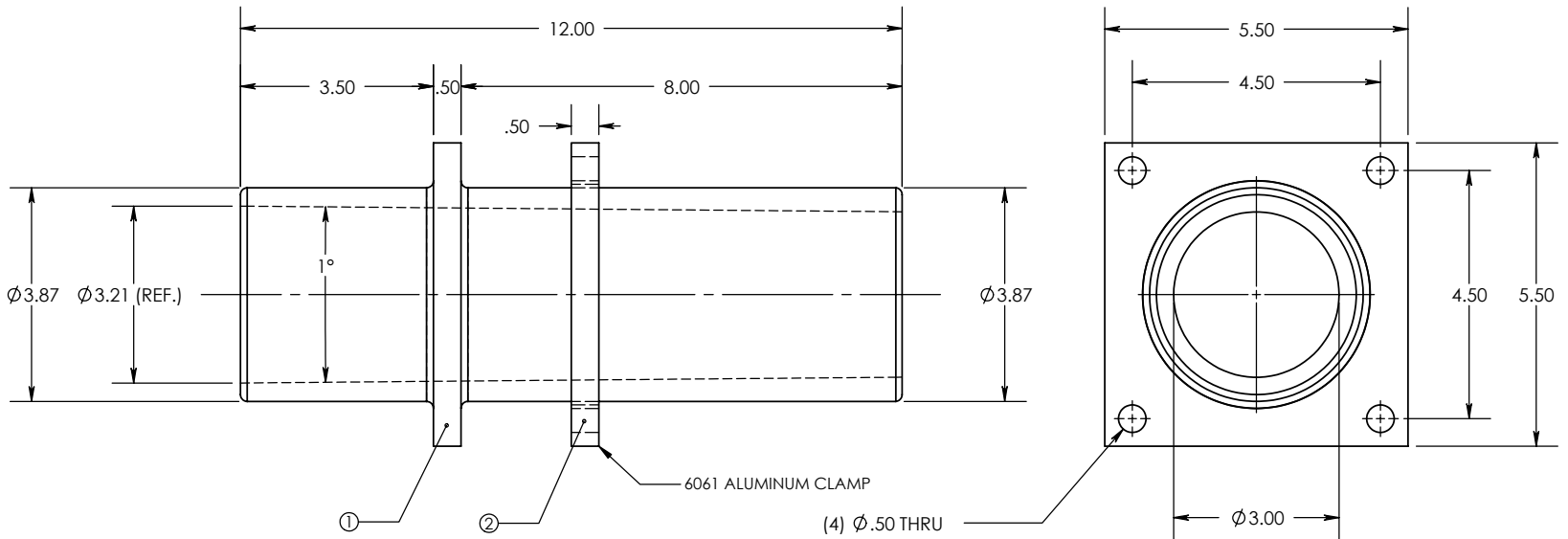
SIZE A	DWG. NO. 07-200-000	REV. 0
SCALE: 3	CAD FILE: 700 SERIES	SHEET 1 OF 1

8 7 6 5 4 3 2 1

8 7 6 5 4 3 2 1

REV. 0
 THE INFORMATION CONTAINED IN THIS DRAWING IS THE SOLE PROPERTY OF ENGINEERED POWER COMPONENTS LTD. ANY REPRODUCTION IN PART OR WHOLE WITHOUT THE WRITTEN PERMISSION OF ENGINEERED POWER COMPONENTS LTD. IS PROHIBITED.

DWG. NO. 07-201-000
 CAD FILE: 700 SERIES



ITEM NO.	QTY.	PART NO.	DESCRIPTION
1	1	07-201-000	BUSHING, EPOXY
2	1	07-201-000 A01	CLAMP, 6061 ALUMINUM

NOTES:
 1. REMOVE FLASHING AND SHARP EDGES

MATERIALS:
 1. E01 BISPHENOL-A EPOXY (GREY)
 2. 6061 ALUMINUM CLAMP

SPECIFICATIONS:
 1. VOLTAGE CLASS 15kV

REV.	DESCRIPTION
0	

UNLESS OTHERWISE SPECIFIED DIMENSIONS ARE IN INCHES. TOLERANCES ARE:
 ONE PLACE MM ±0.50
 TWO PLACE MM ±0.25
 TWO PLACE DEC. ±0.020
 THREE PLACE DEC. ±0.010
 ANGLES 1°

TEMPERATURE ±5 °C
 VOLTAGE ±5 %
 AMPERAGE ±5 %
 RESISTANCE ±5 %

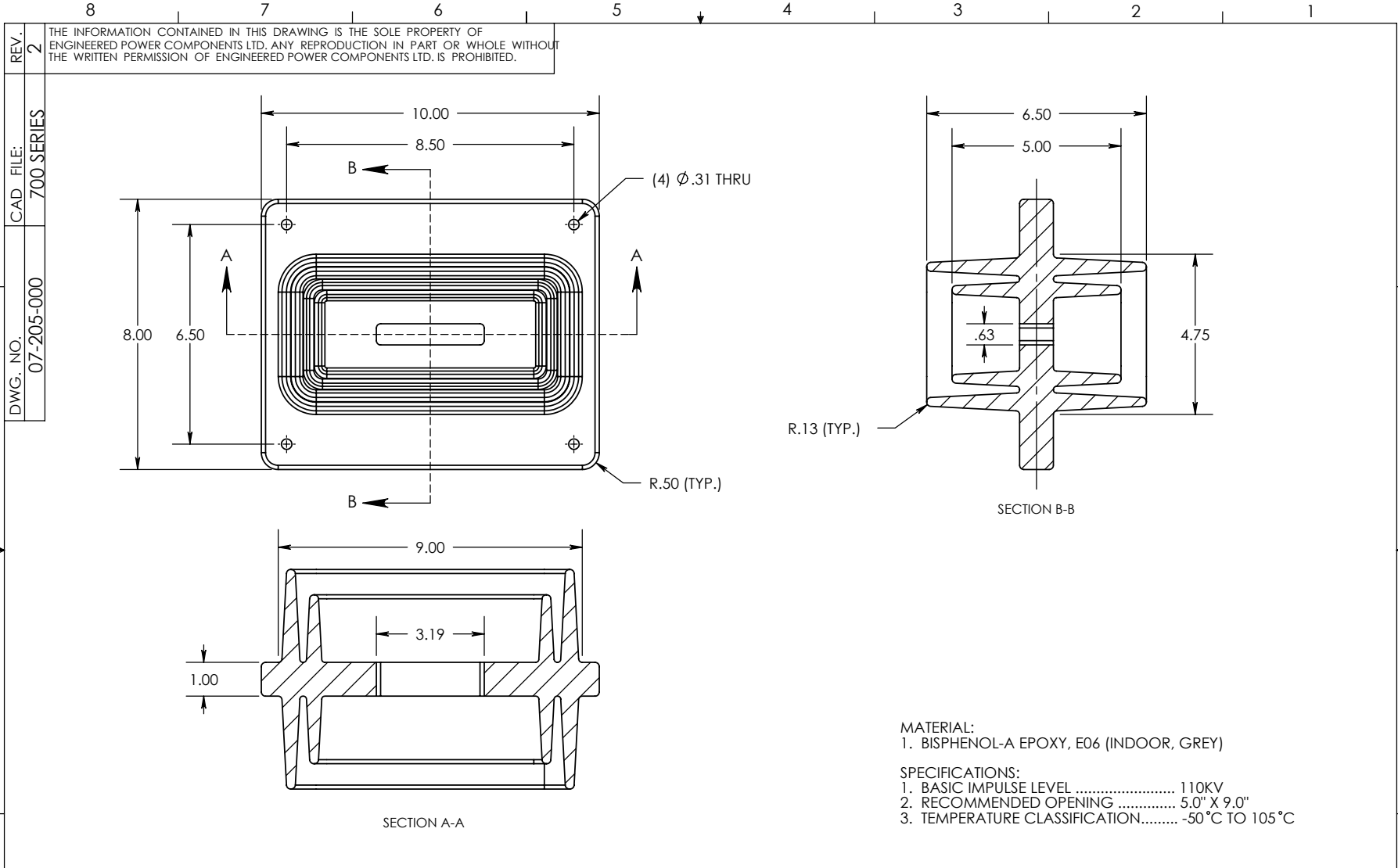
CAD GENERATED DRAWING, DO NOT MANUALLY UPDATE.

APPROVALS	DATE
DRAWN BY: DB	08/24/2001
CHECKED BY:	
ENGINEERING	

15kV WALL BUSHING

TOOLING REF. T07-201	SIZE A	DWG. NO. 07-201-000	REV. 0
PRODUCT GROUP 700 SERIES	SCALE 1:3	CAD FILE: 700 SERIES	SHEET 1 OF 1

8 7 6 5 4 3 2 1




REV. 2
 CAD FILE: 700 SERIES
 DWG. NO. 07-205-000

THE INFORMATION CONTAINED IN THIS DRAWING IS THE SOLE PROPERTY OF ENGINEERED POWER COMPONENTS LTD. ANY REPRODUCTION IN PART OR WHOLE WITHOUT THE WRITTEN PERMISSION OF ENGINEERED POWER COMPONENTS LTD. IS PROHIBITED.

MATERIAL:
 1. BISPHENOL-A EPOXY, E06 (INDOOR, GREY)

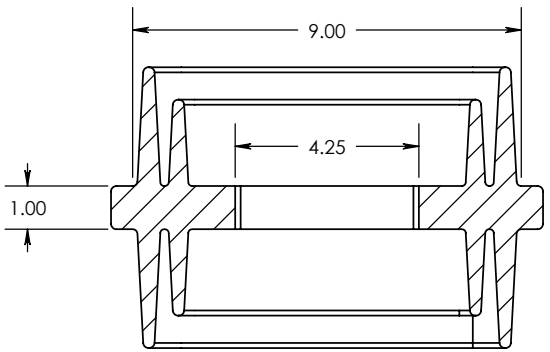
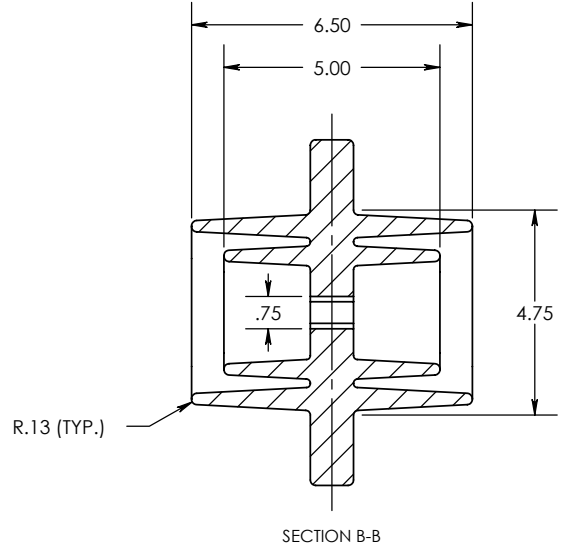
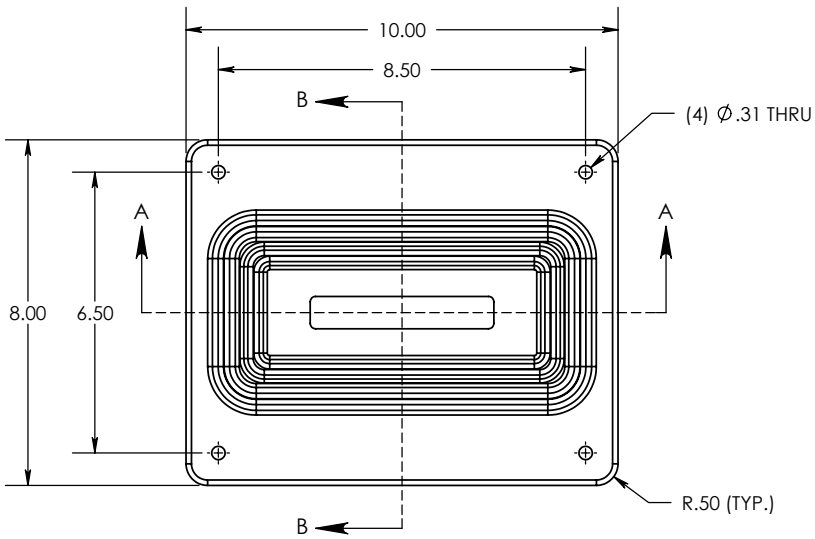
SPECIFICATIONS:
 1. BASIC IMPULSE LEVEL 110KV
 2. RECOMMENDED OPENING 5.0" X 9.0"
 3. TEMPERATURE CLASSIFICATION..... -50°C TO 105°C

A	0	EPOXY DESIGNATION WAS E01 DB 10-31-2001 DIM 3.19 WAS 3.25 DB 11-07-2001	UNLESS OTHERWISE SPECIFIED DIMENSIONS ARE IN INCHES. TOLERANCES ARE: ONE PLACE MM ±0.50 TWO PLACE MM ±0.25 TWO PLACE DEC. ±0.020 THREE PLACE DEC. ±0.010 ANGLES 1° TEMPERATURE ±5°C VOLTAGE ±5% AMPERAGE ±5% RESISTANCE ±5%	CAD GENERATED DRAWING, DO NOT MANUALLY UPDATE.		15kV WALL BUSHING 0.63 X 3.19 SINGLE WINDOW
	1					
REF.			* STATISTICAL DIMENSION NO. OF SAMPLES [0]	DRAWN BY: DB 19/04/2001 CHECKED BY: RM 19/04/2001 ENGINEERING DB 19/04/2001 TOOLING REF. T07-205 PRODUCT GROUP 700 SERIES	SIZE A DWG. NO. 07-205-000 SCALE: 4 CAD FILE: 700 SERIES	REV. 2 SHEET 1 OF 1

8 7 6 5 4 3 2 1

REV. 1
 THE INFORMATION CONTAINED IN THIS DRAWING IS THE SOLE PROPERTY OF ENGINEERED POWER COMPONENTS LTD. ANY REPRODUCTION IN PART OR WHOLE WITHOUT THE WRITTEN PERMISSION OF ENGINEERED POWER COMPONENTS LTD. IS PROHIBITED.

DWG. NO. 07-205-001
 CAD FILE: 700 SERIES



SECTION A-A

MATERIAL:
 1. BISPHENOL-A EPOXY, E06 (INDOOR, GREY)

SPECIFICATIONS:
 1. BASIC IMPULSE LEVEL 110KV
 2. RECOMMENDED OPENING 5.0" X 9.0"
 3. TEMPERATURE CLASSIFICATION..... -50°C TO 105°C

REVISIONS	0	1
	EPOXY DESIGNATION WAS E01 DB 10-31-2001	
REF.		

UNLESS OTHERWISE SPECIFIED DIMENSIONS ARE IN INCHES. TOLERANCES ARE:

ONE PLACE MM ±0.50
 TWO PLACE MM ±0.25
 TWO PLACE DEC. ±0.020
 THREE PLACE DEC. ±0.010
 ANGLES 1°

TEMPERATURE ±5°C
 VOLTAGE ±5%
 AMPERAGE ±5%
 RESISTANCE ±5%

* STATISTICAL DIMENSION
 NO. OF SAMPLES [0]

CAD GENERATED DRAWING, DO NOT MANUALLY UPDATE.	
APPROVALS	DATE
DRAWN BY: DB	19/04/2001
CHECKED BY: RM	19/04/2001
ENGINEERING: DB	19/04/2001
TOOLING REF.	T07-205
PRODUCT GROUP	700 SERIES

15kV WALL BUSHING
 .75 X 4.25 SINGLE WINDOW

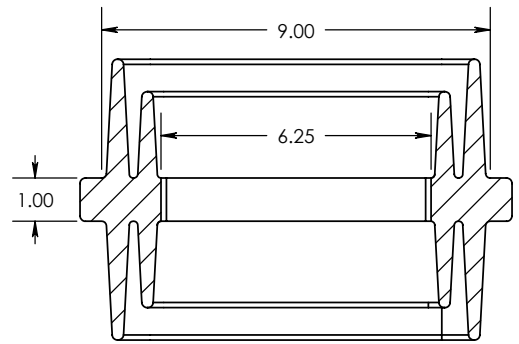
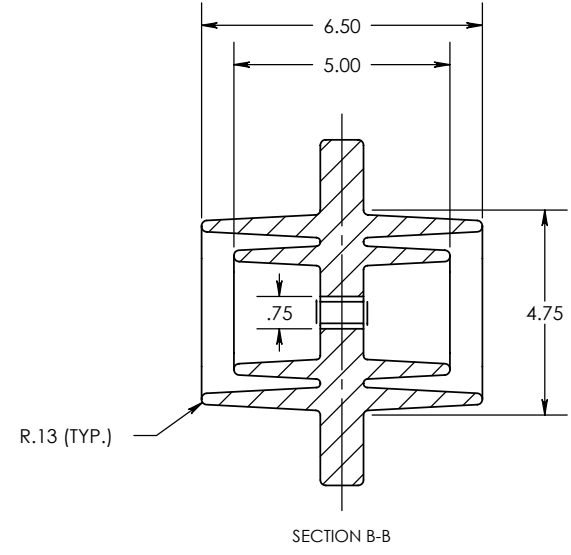
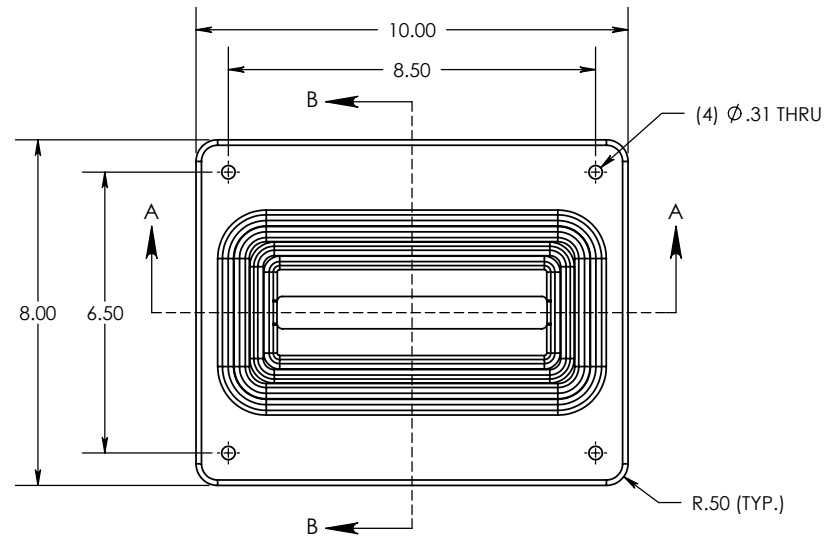
SIZE A	DWG. NO. 07-205-001	REV. 1
SCALE: 4	CAD FILE: 700 SERIES	SHEET 1 OF 1

8 7 6 5 4 3 2 1

8 7 6 5 4 3 2 1

REV. 1
 THE INFORMATION CONTAINED IN THIS DRAWING IS THE SOLE PROPERTY OF ENGINEERED POWER COMPONENTS LTD. ANY REPRODUCTION IN PART OR WHOLE WITHOUT THE WRITTEN PERMISSION OF ENGINEERED POWER COMPONENTS LTD. IS PROHIBITED.

DWG. NO. 07-205-002
 CAD FILE: 700 SERIES



SECTION A-A

MATERIAL:
 1. BISPHENOL-A EPOXY, E06 (INDOOR, GREY)

SPECIFICATIONS:
 1. BASIC IMPULSE LEVEL 110KV
 2. RECOMMENDED OPENING 5.0" X 9.0"
 3. TEMPERATURE CLASSIFICATION..... -50°C TO 105°C

A	REVISIONS	0	1
	EPOXY DESIGNATION WAS E01 DB 10-31-2001		
REF.			

UNLESS OTHERWISE SPECIFIED DIMENSIONS ARE IN INCHES. TOLERANCES ARE:	
ONE PLACE MM	±0.50
TWO PLACE MM	±0.25
TWO PLACE DEC.	±0.020
THREE PLACE DEC.	±0.010
ANGLES	1°
TEMPERATURE	±5°C
VOLTAGE	±5%
AMPERAGE	±5%
RESISTANCE	±5%
* STATISTICAL DIMENSION NO. OF SAMPLES [0]	
CAD GENERATED DRAWING, DO NOT MANUALLY UPDATE.	
APPROVALS	DATE
DRAWN BY: DB	19/04/2001
CHECKED BY: RM	19/04/2001
ENGINEERING DB	19/04/2001
TOOLING REF.	T07-205
PRODUCT GROUP	700 SERIES

15kV WALL BUSHING
 .75 X 6.25 SINGLE WINDOW

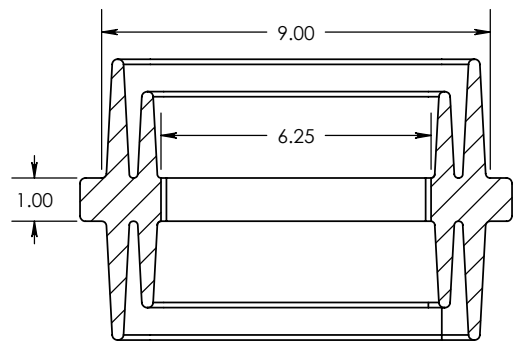
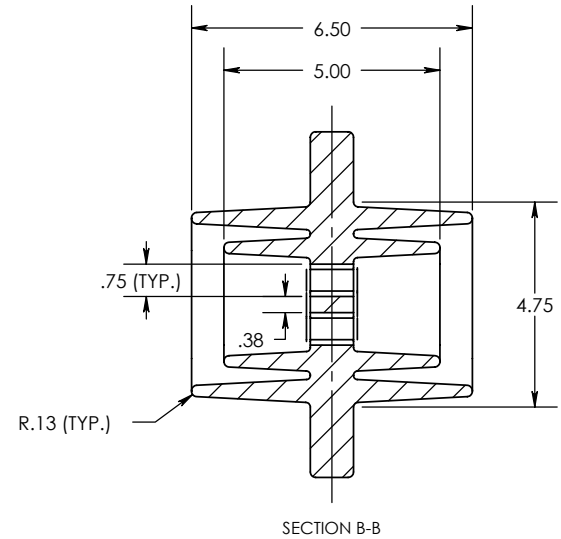
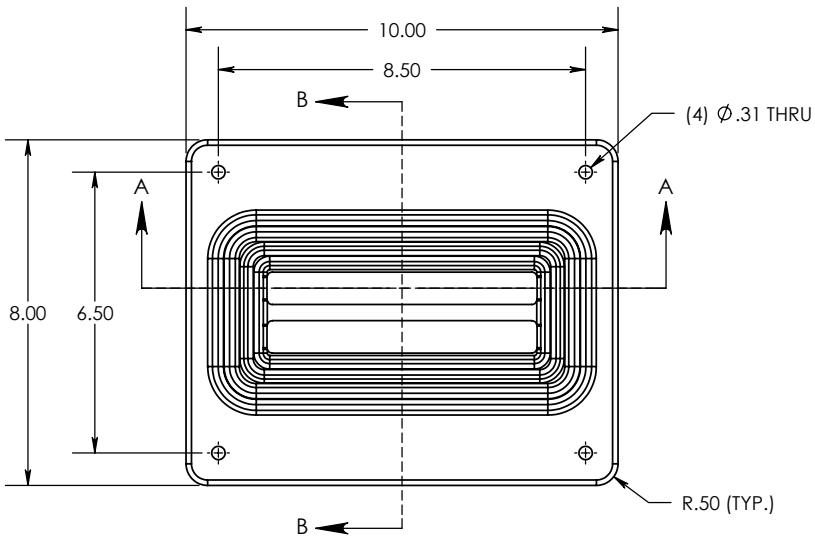
SIZE A	DWG. NO. 07-205-002	REV. 1
SCALE: 4	CAD FILE: 700 SERIES	SHEET 1 OF 1

8 7 6 5 4 3 2 1

8 7 6 5 4 3 2 1

REV. 1
 THE INFORMATION CONTAINED IN THIS DRAWING IS THE SOLE PROPERTY OF ENGINEERED POWER COMPONENTS LTD. ANY REPRODUCTION IN PART OR WHOLE WITHOUT THE WRITTEN PERMISSION OF ENGINEERED POWER COMPONENTS LTD. IS PROHIBITED.

CAD FILE: 700 SERIES
 DWG. NO. 07-205-003



MATERIAL:
 1. BISPHENOL-A EPOXY, E06 (INDOOR, GREY)

SPECIFICATIONS:
 1. BASIC IMPULSE LEVEL 110KV
 2. RECOMMENDED OPENING 5.0" X 9.0"
 3. TEMPERATURE CLASSIFICATION..... -50°C TO 105°C

0	1
REVISIONS	EPOXY DESIGNATION WAS E01 DB: 10-31-2001
REF.	

UNLESS OTHERWISE SPECIFIED DIMENSIONS ARE IN INCHES. TOLERANCES ARE:

ONE PLACE MM ±0.50
 TWO PLACE MM ±0.25
 TWO PLACE DEC. ±0.020
 THREE PLACE DEC. ±0.010
 ANGLES 1°

TEMPERATURE ±5°C
 VOLTAGE ±5%
 AMPERAGE ±5%
 RESISTANCE ±5%

* STATISTICAL DIMENSION
 NO. OF SAMPLES [0]

CAD GENERATED DRAWING, DO NOT MANUALLY UPDATE.	
APPROVALS	DATE
DRAWN BY: DB	19/04/2001
CHECKED BY: RM	19/04/2001
ENGINEERING DB	19/04/2001
TOOLING REF.	T07-205
PRODUCT GROUP	700 SERIES

15KV WALL BUSHING
 .75 X 6.25 DUAL WINDOW

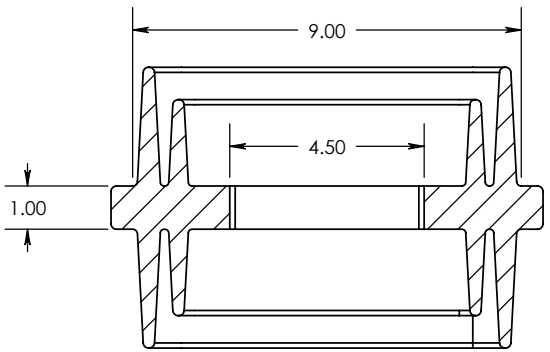
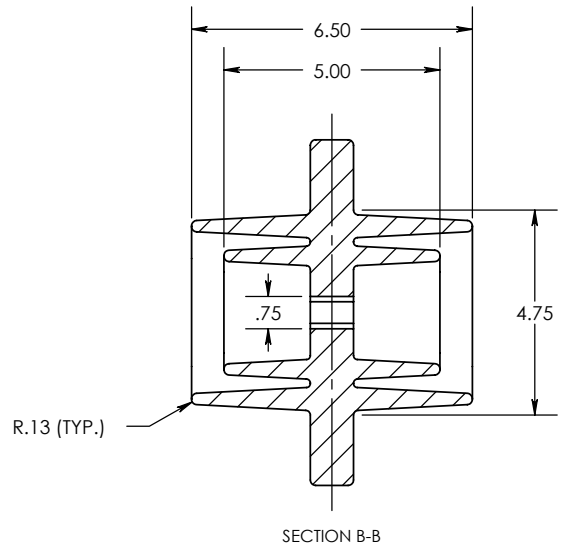
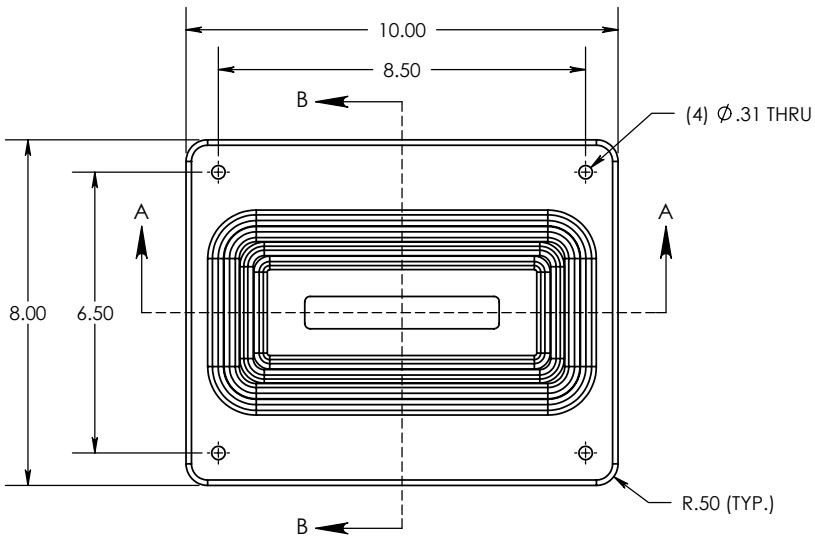
SIZE A	DWG. NO. 07-205-003	REV. 1
SCALE: 4	CAD FILE: 700 SERIES	SHEET 1 OF 1

8 7 6 5 4 3 2 1

8 7 6 5 4 3 2 1

REV. 0
 THE INFORMATION CONTAINED IN THIS DRAWING IS THE SOLE PROPERTY OF ENGINEERED POWER COMPONENTS LTD. ANY REPRODUCTION IN PART OR WHOLE WITHOUT THE WRITTEN PERMISSION OF ENGINEERED POWER COMPONENTS LTD. IS PROHIBITED.

DWG. NO. 07-205-004
 CAD FILE: 700 SERIES



SECTION A-A

MATERIAL:
 1. BISPHENOL-A EPOXY, E06 (INDOOR, GREY)

SPECIFICATIONS:
 1. BASIC IMPULSE LEVEL 110KV
 2. RECOMMENDED OPENING 5.0" X 9.0"
 3. TEMPERATURE CLASSIFICATION..... -50°C TO 105°C

REVISIONS
 REF.

0	
---	--

UNLESS OTHERWISE SPECIFIED DIMENSIONS ARE IN INCHES. TOLERANCES ARE:

ONE PLACE MM ±0.50
 TWO PLACE MM ±0.25
 TWO PLACE DEC. ±0.020
 THREE PLACE DEC. ±0.010
 ANGLES 1°

TEMPERATURE ±5°C
 VOLTAGE ±5%
 AMPERAGE ±5%
 RESISTANCE ±5%

* STATISTICAL DIMENSION
 NO. OF SAMPLES [0]

CAD GENERATED DRAWING, DO NOT MANUALLY UPDATE.

APPROVALS	DATE
DRAWN BY: DB	30/10/2001
CHECKED BY: RM	30/10/2001
ENGINEERING DB	30/10/2001

TOOLING REF. T07-205
 PRODUCT GROUP 700 SERIES



15kV
 WALL BUSHING
 .75 X 4.50
 SINGLE WINDOW

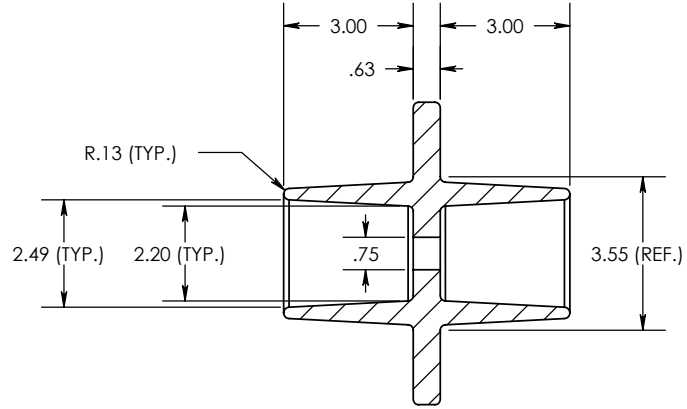
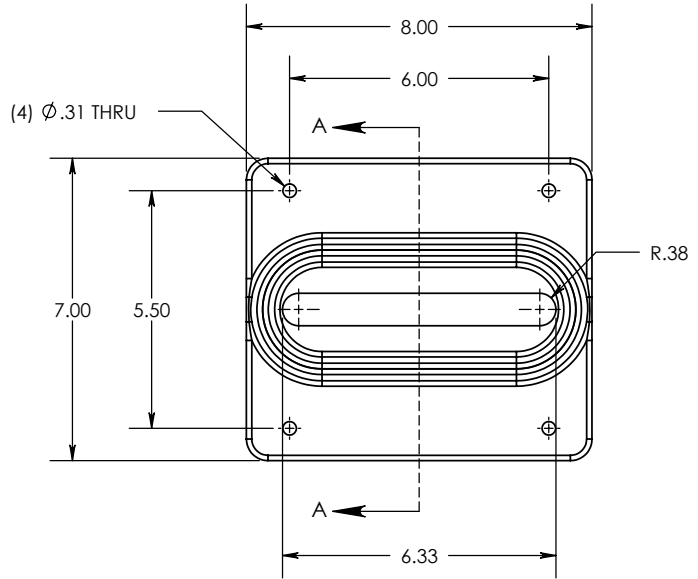
SIZE A	DWG. NO. 07-205-004	REV. 0
SCALE: 4	CAD FILE: 700 SERIES	SHEET 1 OF 1

8 7 6 5 4 3 2 1

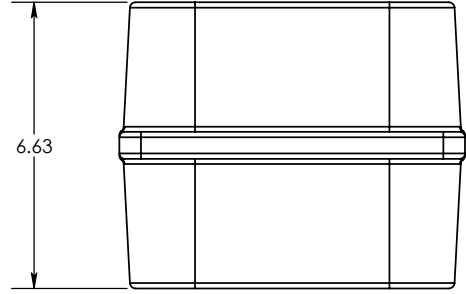
8 7 6 5 4 3 2 1

REV. 1
 THE INFORMATION CONTAINED IN THIS DRAWING IS THE SOLE PROPERTY OF ENGINEERED POWER COMPONENTS LTD. ANY REPRODUCTION IN PART OR WHOLE WITHOUT THE WRITTEN PERMISSION OF ENGINEERED POWER COMPONENTS LTD. IS PROHIBITED.

CAD FILE: 700 SERIES
 DWG. NO. 07-206-000



SECTION A-A



MATERIAL:
 1. BISPHENOL-A EPOXY, E06 (INDOOR, GREY)

- SPECIFICATIONS:
1. RATED VOLTAGE 15kV
 2. BASIC IMPULSE LEVEL 95KV
 3. RECOMMENDED OPENING 3.63" X 8.00
 4. TEMPERATURE CLASSIFICATION -50°C TO 105°C
 5. APPROXIMATE WEIGHT 4.9 LBS

A	REVISIONS	0	1
		DIM 6.33 WAS 6.38 R.38 WAS Ø.75 RM 02-18-2002 DB 02-18-2002	
	REF.		

UNLESS OTHERWISE SPECIFIED DIMENSIONS ARE IN INCHES. TOLERANCES ARE:

ONE PLACE MM	±0.50
TWO PLACE MM	±0.25
TWO PLACE DEC.	±0.020
THREE PLACE DEC.	±0.010
ANGLES	1°
TEMPERATURE	±5°C
VOLTAGE	±5%
AMPERAGE	±5%
RESISTANCE	±5%

* STATISTICAL DIMENSION
 NO. OF SAMPLES [0]

CAD GENERATED DRAWING, DO NOT MANUALLY UPDATE.	
APPROVALS	DATE
DRAWN BY: DB	23/01/2002
CHECKED BY: RM	23/01/2002
ENGINEERING: DB	23/01/2002
TOOLING REF.	T07-206-0
PRODUCT GROUP	700 SERIES

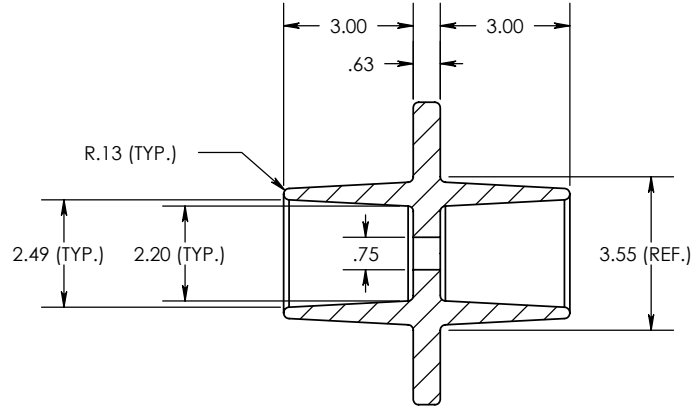
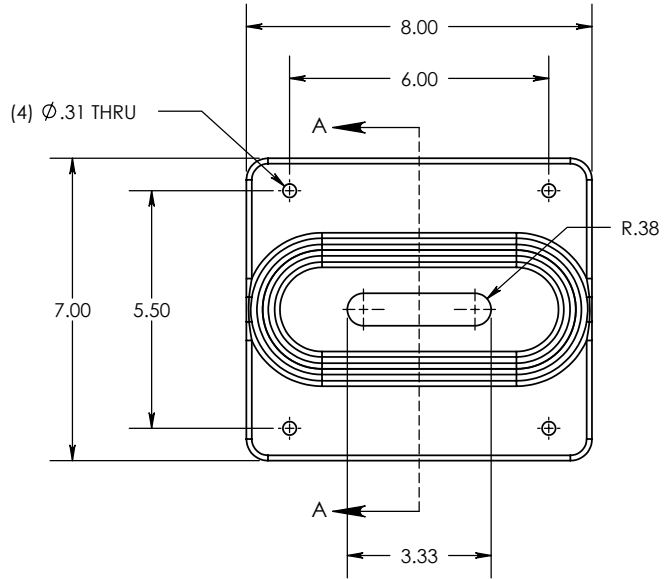
	15kV
	WALL BUSHING
	0.75" X 6.33" WINDOW
SIZE A	DWG. NO. 07-206-000
SCALE: 4	CAD FILE: 700 SERIES
	SHEET 1 OF 1

8 7 6 5 4 3 2 1

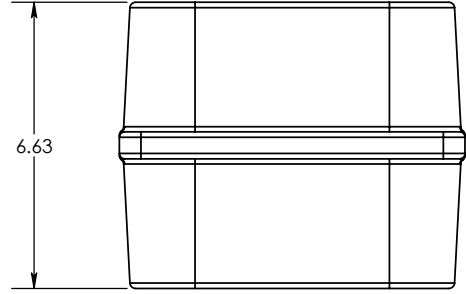
8 7 6 5 4 3 2 1

REV. 1
 THE INFORMATION CONTAINED IN THIS DRAWING IS THE SOLE PROPERTY OF ENGINEERED POWER COMPONENTS LTD. ANY REPRODUCTION IN PART OR WHOLE WITHOUT THE WRITTEN PERMISSION OF ENGINEERED POWER COMPONENTS LTD. IS PROHIBITED.

CAD FILE: 700 SERIES
 DWG. NO. 07-206-001



SECTION A-A



MATERIAL:
 1. BISPHENOL-A EPOXY, E06 (INDOOR, GREY)

- SPECIFICATIONS:
1. RATED VOLTAGE 15kV
 2. BASIC IMPULSE LEVEL 95KV
 3. RECOMMENDED OPENING 3.63" X 8.00
 4. TEMPERATURE CLASSIFICATION -50°C TO 105°C
 5. APPROXIMATE WEIGHT 5.0 LBS


REVISIONS	0	1
	DIM. 3.33 WAS 3.63, R.38 WAS Ø.75 RM 02-06-2002 DB 02-06-2002	
REF.		

UNLESS OTHERWISE SPECIFIED DIMENSIONS ARE IN INCHES. TOLERANCES ARE:

ONE PLACE MM	±0.50
TWO PLACE MM	±0.25
TWO PLACE DEC.	±0.020
THREE PLACE DEC.	±0.010
ANGLES	1°
TEMPERATURE	±5°C
VOLTAGE	±5%
AMPERAGE	±5%
RESISTANCE	±5%

* STATISTICAL DIMENSION
 NO. OF SAMPLES [0]

CAD GENERATED DRAWING, DO NOT MANUALLY UPDATE.	
APPROVALS	DATE
DRAWN BY: DB	23/01/2002
CHECKED BY: RM	23/01/2002
ENGINEERING DB	23/01/2002
TOOLING REF.	T07-206-0
PRODUCT GROUP	700 SERIES



15kV
 WALL BUSHING
 0.75" X 3.33"
 WINDOW

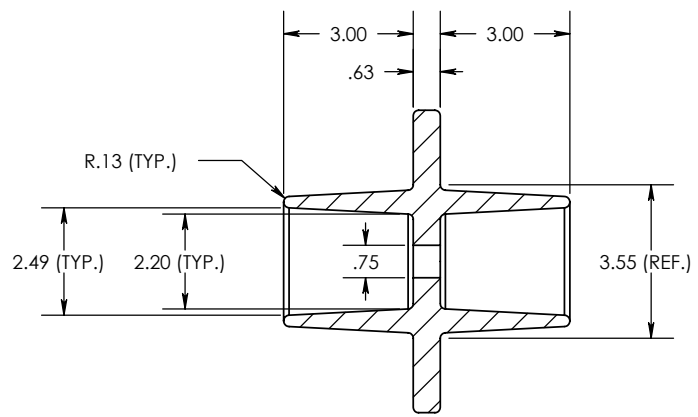
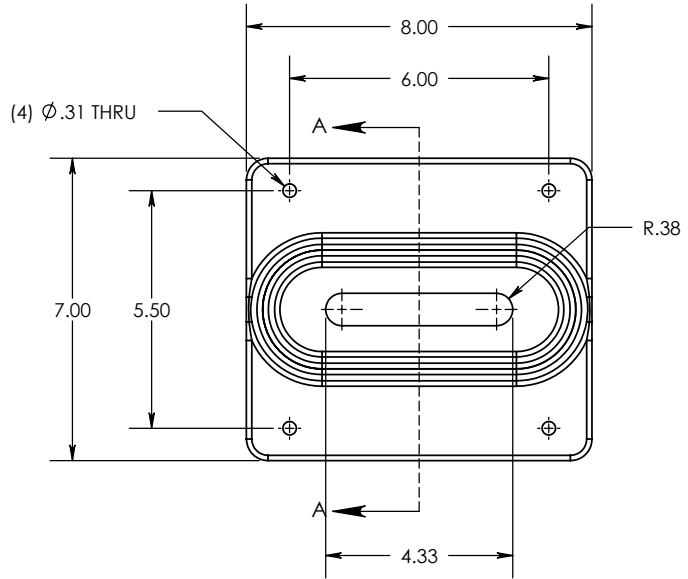
SIZE A	DWG. NO. 07-206-001	REV. 1
SCALE: 4	CAD FILE: 700 SERIES	SHEET 1 OF 1

8 7 6 5 4 3 2 1

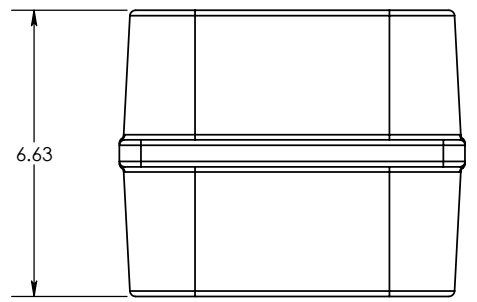
8 7 6 5 4 3 2 1

REV. 0
 THE INFORMATION CONTAINED IN THIS DRAWING IS THE SOLE PROPERTY OF ENGINEERED POWER COMPONENTS LTD. ANY REPRODUCTION IN PART OR WHOLE WITHOUT THE WRITTEN PERMISSION OF ENGINEERED POWER COMPONENTS LTD. IS PROHIBITED.

CAD FILE: 700 SERIES
 DWG. NO. 07-206-002



SECTION A-A



MATERIAL:
 1. BISPHENOL-A EPOXY, E06 (INDOOR, GREY)

- SPECIFICATIONS:
1. RATED VOLTAGE 15kV
 2. BASIC IMPULSE LEVEL 95KV
 3. RECOMMENDED OPENING 3.63" X 8.00
 4. TEMPERATURE CLASSIFICATION -50°C TO 105°C
 5. APPROXIMATE WEIGHT 5.0 LBS

REVISIONS
 REF.

0	
---	--

UNLESS OTHERWISE SPECIFIED DIMENSIONS ARE IN INCHES. TOLERANCES ARE:
 ONE PLACE MM ±0.50
 TWO PLACE MM ±0.25
 TWO PLACE DEC. ±0.020
 THREE PLACE DEC. ±0.010
 ANGLES 1°
 TEMPERATURE ±5°C
 VOLTAGE ±5%
 AMPERAGE ±5%
 RESISTANCE ±5%
 * STATISTICAL DIMENSION
 NO. OF SAMPLES [0]

CAD GENERATED DRAWING, DO NOT MANUALLY UPDATE.	
APPROVALS	DATE
DRAWN BY: DB	13/06/2002
CHECKED BY: RM	17/06/2002
ENGINEERING: DB	17/06/2002
TOOLING REF.	T07-206-0
PRODUCT GROUP	700 SERIES

15kV
 WALL BUSHING
 0.75" X 4.33"
 WINDOW

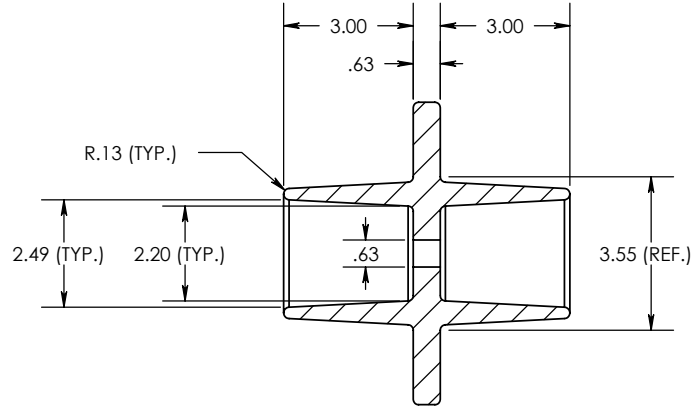
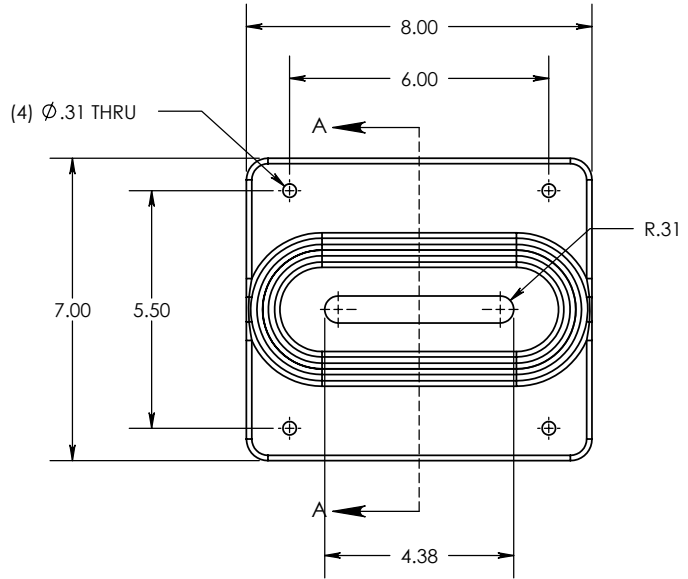
SIZE A	DWG. NO. 07-206-002	REV. 0
SCALE: 4	CAD FILE: 700 SERIES	SHEET 1 OF 1

8 7 6 5 4 3 2 1

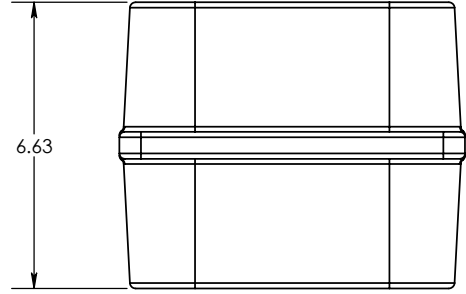
8 7 6 5 4 3 2 1

REV. 0
 THE INFORMATION CONTAINED IN THIS DRAWING IS THE SOLE PROPERTY OF ENGINEERED POWER COMPONENTS LTD. ANY REPRODUCTION IN PART OR WHOLE WITHOUT THE WRITTEN PERMISSION OF ENGINEERED POWER COMPONENTS LTD. IS PROHIBITED.

CAD FILE: 700 SERIES
 DWG. NO. 07-206-003



SECTION A-A



MATERIAL:
 1. BISPHENOL-A EPOXY, E06 (INDOOR, GREY)

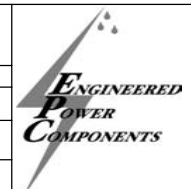
- SPECIFICATIONS:
1. RATED VOLTAGE 15kV
 2. BASIC IMPULSE LEVEL 95KV
 3. RECOMMENDED OPENING 3.63" X 8.00
 4. TEMPERATURE CLASSIFICATION -50°C TO 105°C
 5. APPROXIMATE WEIGHT 5.0 LBS

REVISIONS
 REF.

0	
---	--

UNLESS OTHERWISE SPECIFIED DIMENSIONS ARE IN INCHES. TOLERANCES ARE:
 ONE PLACE MM ±0.50
 TWO PLACE MM ±0.25
 TWO PLACE DEC. ±0.020
 THREE PLACE DEC. ±0.010
 ANGLES 1°
 TEMPERATURE ±5°C
 VOLTAGE ±5%
 AMPERAGE ±5%
 RESISTANCE ±5%

CAD GENERATED DRAWING, DO NOT MANUALLY UPDATE.
 APPROVALS DATE
 DRAWN BY: DB 17/06/2002
 CHECKED BY: RM 17/06/2002
 ENGINEERING DB 17/06/2002



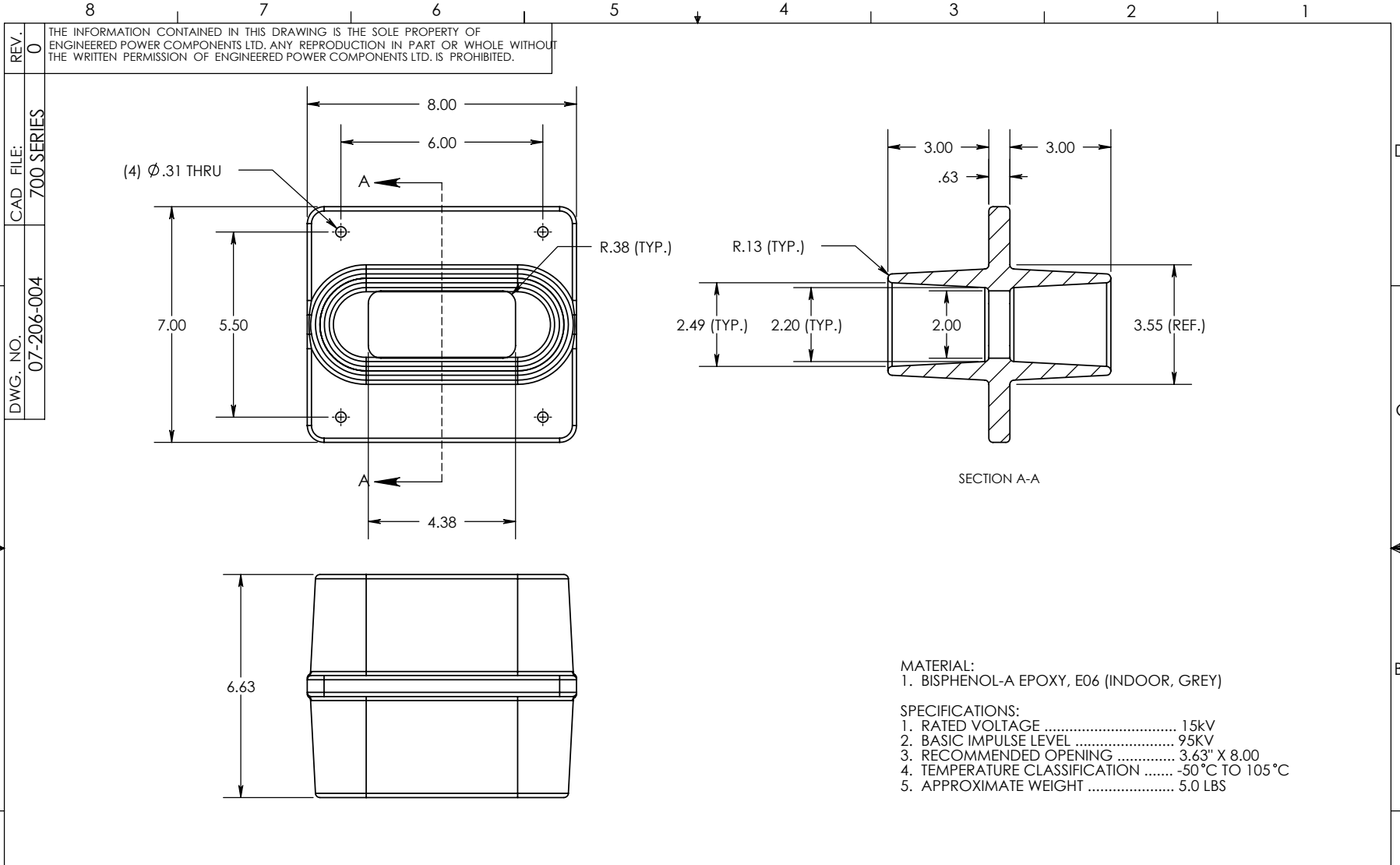
15kV
 WALL BUSHING
 0.63" X 4.38"
 WINDOW


* STATISTICAL DIMENSION
 NO. OF SAMPLES [0]

TOOLING REF. T07-206-0
 PRODUCT GROUP 700 SERIES

SIZE A DWG. NO. 07-206-003 REV. 0
 SCALE: 4 CAD FILE: 700 SERIES SHEET 1 OF 1

8 7 6 5 4 3 2 1

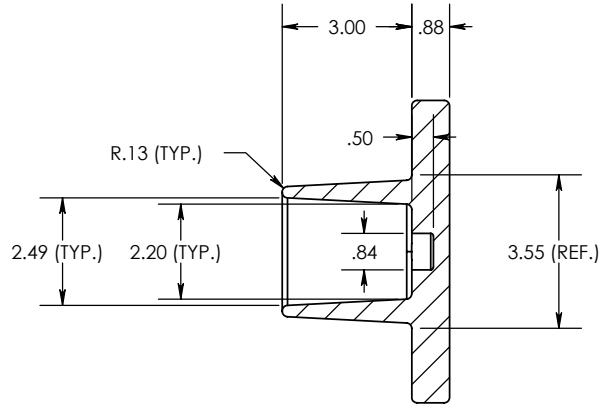
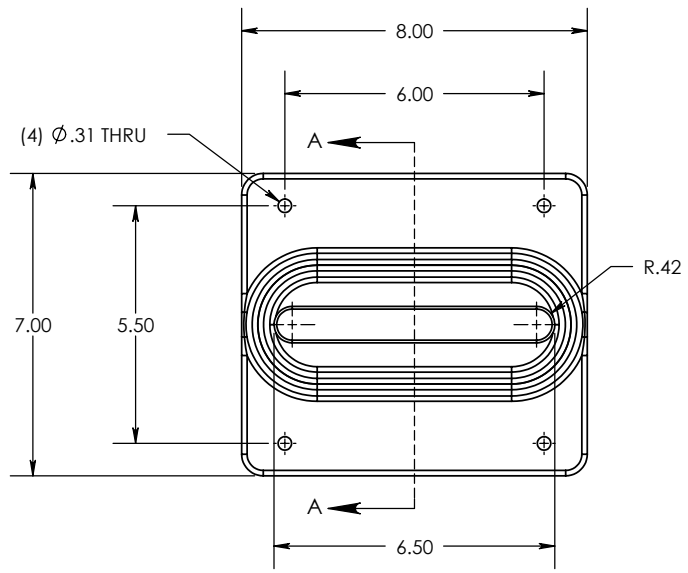


A	REVISIONS	0	UNLESS OTHERWISE SPECIFIED DIMENSIONS ARE IN INCHES. TOLERANCES ARE: ONE PLACE MM ± 0.50 TWO PLACE MM ± 0.25 TWO PLACE DEC. ± 0.020 THREE PLACE DEC. ± 0.010 ANGLES 1° TEMPERATURE $\pm 5^\circ\text{C}$ VOLTAGE $\pm 5\%$ AMPERAGE $\pm 5\%$ RESISTANCE $\pm 5\%$	CAD GENERATED DRAWING, DO NOT MANUALLY UPDATE.	APPROVALS	DATE	 15kV WALL BUSHING 2.00" X 4.38" WINDOW	REV. 0
	REF.	0			DRAWN BY: DB	17/06/2002		
			* STATISTICAL DIMENSION NO. OF SAMPLES [0]	TOOLING REF. T07-206-0	SIZE A	DWG. NO. 07-206-004		
				PRODUCT GROUP 700 SERIES	SCALE: 4	CAD FILE: 700 SERIES	SHEET 1 OF 1	

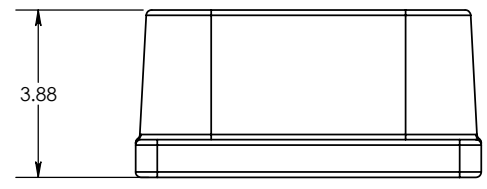
8 7 6 5 4 3 2 1

REV. 2
 THE INFORMATION CONTAINED IN THIS DRAWING IS THE SOLE PROPERTY OF ENGINEERED POWER COMPONENTS LTD. ANY REPRODUCTION IN PART OR WHOLE WITHOUT THE WRITTEN PERMISSION OF ENGINEERED POWER COMPONENTS LTD. IS PROHIBITED.

CAD FILE: 700 SERIES
 DWG. NO. 07-207-000



SECTION A-A



MATERIAL:
 1. BISPHENOL-A EPOXY, E06 (INDOOR, GREY)

- SPECIFICATIONS:
1. RATED VOLTAGE 15kV
 2. BASIC IMPULSE LEVEL 95KV
 3. RECOMMENDED OPENING 3.63" X 8.00
 4. TEMPERATURE CLASSIFICATION -50°C TO 105°C
 5. APPROXIMATE WEIGHT 4.4 LBS

REVISIONS	0	1	2
		DIM 6.53 WAS 6.38; DIM 1.93 WAS .88; R.46 WAS Ø .88 RM 02-18-2002 DB 02-18-2002	DIM 6.50 WAS 6.53; DIM 1.84 WAS .93; R.42 WAS R.46 RM 02-20-2002 DB 02-20-2002

UNLESS OTHERWISE SPECIFIED DIMENSIONS ARE IN INCHES. TOLERANCES ARE:

ONE PLACE MM	±0.50
TWO PLACE MM	±0.25
TWO PLACE DEC.	±0.02
THREE PLACE DEC.	±0.01
ANGLES	±1°
TEMPERATURE	±5°C
VOLTAGE	±5%
AMPERAGE	±5%
RESISTANCE	±5%

CAD GENERATED DRAWING, DO NOT MANUALLY UPDATE.

APPROVALS	DATE
DRAWN BY: DB	23/01/2002
CHECKED BY: RM	23/01/2002
ENGINEERING DB	23/01/2002

15kV
 WALL BUSHING
 0.84" X 6.50"
 WINDOW
 (BLANK)

REF.		* STATISTICAL DIMENSION NO. OF SAMPLES [0]
------	--	---

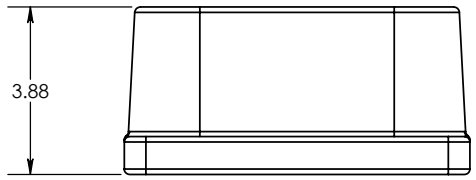
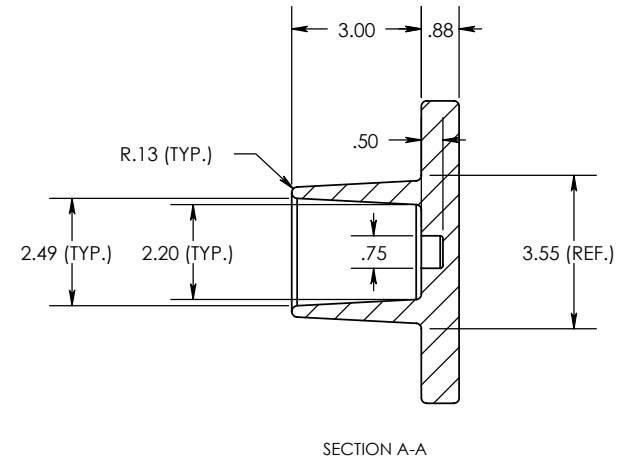
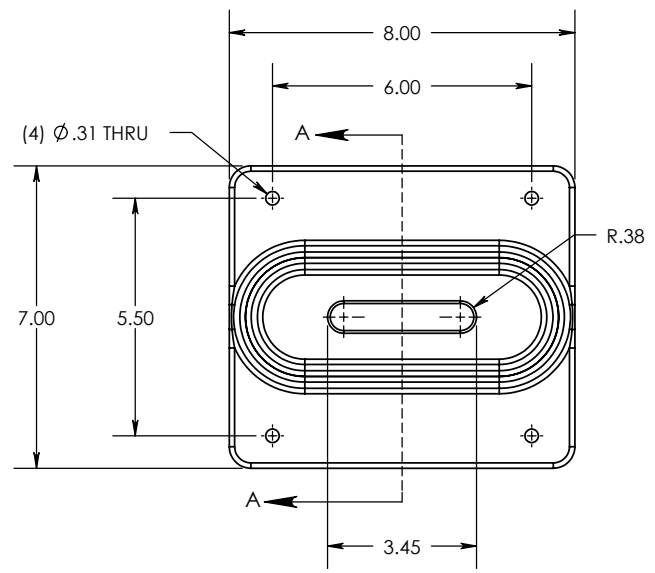
TOOLING REF.	107-207-0	SIZE A	DWG. NO. 07-207-000	REV. 2
PRODUCT GROUP	700 SERIES	SCALE: 4	CAD FILE: 700 SERIES	SHEET 1 OF 1

8 7 6 5 4 3 2 1

8 7 6 5 4 3 2 1

REV. 2
 THE INFORMATION CONTAINED IN THIS DRAWING IS THE SOLE PROPERTY OF ENGINEERED POWER COMPONENTS LTD. ANY REPRODUCTION IN PART OR WHOLE WITHOUT THE WRITTEN PERMISSION OF ENGINEERED POWER COMPONENTS LTD. IS PROHIBITED.

CAD FILE: 700 SERIES
 DWG. NO. 07-207-001




MATERIAL:
 1. BISPHENOL-A EPOXY, E06 (INDOOR, GREY)

SPECIFICATIONS:
 1. RATED VOLTAGE 15kV
 2. BASIC IMPULSE LEVEL 95KV
 3. RECOMMENDED OPENING 3.63" X 8.00
 4. TEMPERATURE CLASSIFICATION -50°C TO 105°C
 5. APPROXIMATE WEIGHT 4.5 LBS

REVISIONS	0	1	2
		DIM. 3.53 WAS 3.63, DIM. .93 WAS .75, R.46 WAS Ø.75 RM 02-04-2002 DB 02-06-2002	DIM. 3.45 WAS 3.53, DIM. .75 WAS .93, R.38 WAS R.46 RM 02-20-2002 DB 02-20-2002

UNLESS OTHERWISE SPECIFIED DIMENSIONS ARE IN INCHES. TOLERANCES ARE:	ONE PLACE MM ±0.50 TWO PLACE MM ±0.25 TWO PLACE DEC. ±0.02 THREE PLACE DEC. ±0.010 ANGLES 1°
	TEMPERATURE ±5°C VOLTAGE ±5% AMPERAGE ±5% RESISTANCE ±5%
* STATISTICAL DIMENSION	
NO. OF SAMPLES [0]	

CAD GENERATED DRAWING, DO NOT MANUALLY UPDATE.	
APPROVALS	DATE
DRAWN BY: DB	23/01/2002
CHECKED BY: RM	23/01/2002
ENGINEERING DB	23/01/2002
TOOLING REF.	T07-207-0
PRODUCT GROUP	700 SERIES



**ENGINEERED
POWER
COMPONENTS**

15kV
WALL BUSHING
0.75" X 3.45"
WINDOW
(BLANK)

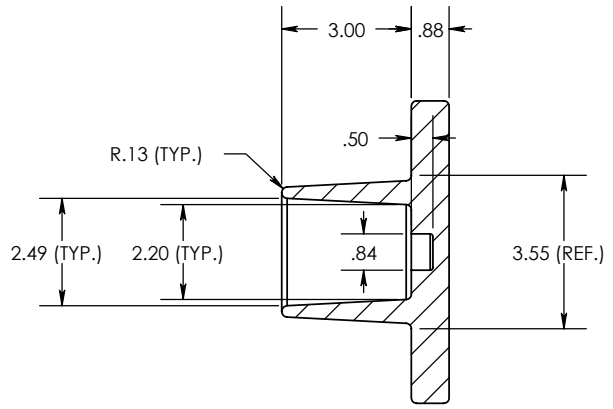
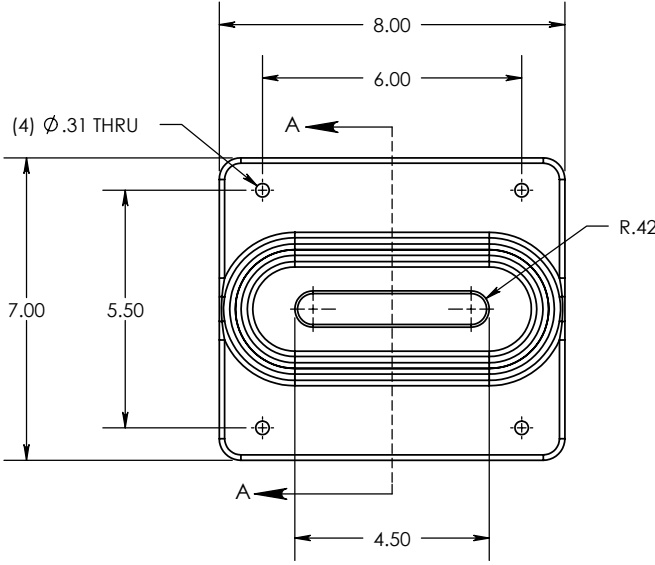
SIZE A	DWG. NO. 07-207-001	REV. 2
SCALE: 4	CAD FILE: 700 SERIES	SHEET 1 OF 1

8 7 6 5 4 3 2 1

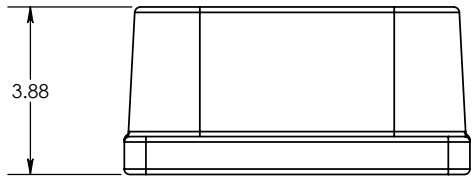
8 7 6 5 4 3 2 1

REV. 0
 THE INFORMATION CONTAINED IN THIS DRAWING IS THE SOLE PROPERTY OF ENGINEERED POWER COMPONENTS LTD. ANY REPRODUCTION IN PART OR WHOLE WITHOUT THE WRITTEN PERMISSION OF ENGINEERED POWER COMPONENTS LTD. IS PROHIBITED.

CAD FILE: 700 SERIES
 DWG. NO. 07-207-002



SECTION A-A



MATERIAL:
 1. BISPHENOL-A EPOXY, E06 (INDOOR, GREY)

SPECIFICATIONS:
 1. RATED VOLTAGE 15kV
 2. BASIC IMPULSE LEVEL 95KV
 3. RECOMMENDED OPENING 3.63" X 8.00
 4. TEMPERATURE CLASSIFICATION -50°C TO 105°C
 5. APPROXIMATE WEIGHT 4.5 LBS

REVISIONS 0
 REF.

0	
---	--

UNLESS OTHERWISE SPECIFIED DIMENSIONS ARE IN INCHES. TOLERANCES ARE: ONE PLACE MM ±0.50 TWO PLACE MM ±0.25 TWO PLACE DEC. ±0.020 THREE PLACE DEC. ±0.010 ANGLES 1° TEMPERATURE ±5°C VOLTAGE ±5% AMPERAGE ±5% RESISTANCE ±5%	CAD GENERATED DRAWING, DO NOT MANUALLY UPDATE.
	APPROVALS DATE
	DRAWN BY: DB 13/06/2002
	CHECKED BY: RM 17/06/2002
	ENGINEERING DB 17/06/2002
	TOOLING REF. T07-207-0
	PRODUCT GROUP 700 SERIES

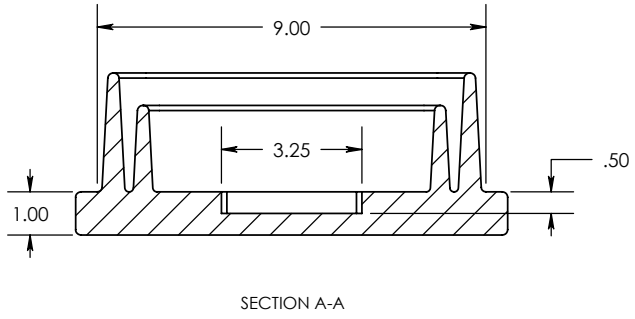
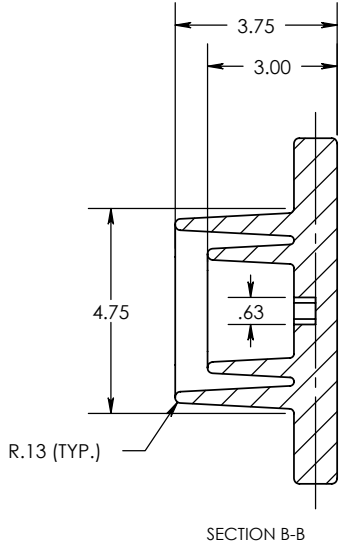
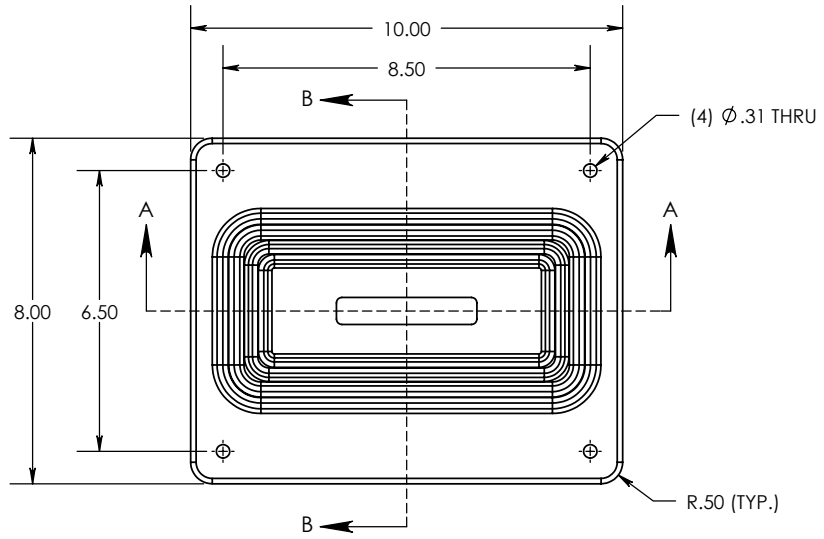
	15kV
	WALL BUSHING
	0.84" X 4.50" WINDOW (BLANK)
SIZE A	DWG. NO. 07-207-002
SCALE: 4	CAD FILE: 700 SERIES SHEET 1 OF 1

8 7 6 5 4 3 2 1

8 7 6 5 4 3 2 1

REV. 1
 THE INFORMATION CONTAINED IN THIS DRAWING IS THE SOLE PROPERTY OF ENGINEERED POWER COMPONENTS LTD. ANY REPRODUCTION IN PART OR WHOLE WITHOUT THE WRITTEN PERMISSION OF ENGINEERED POWER COMPONENTS LTD. IS PROHIBITED.

CAD FILE: 700 SERIES
 DWG. NO. 07-210-000



MATERIAL:
 1. BISPHENOL-A EPOXY, E06 (INDOOR, GREY)

SPECIFICATIONS:
 1. BASIC IMPULSE LEVEL 110KV
 2. RECOMMENDED OPENING 5.0" X 9.0"
 3. TEMPERATURE CLASSIFICATION..... -50 °C TO 105 °C

A	REVISIONS	0 1
	EPOXY DESIGNATION WAS E01 DB 10-31-2001	
REF.		

UNLESS OTHERWISE SPECIFIED DIMENSIONS ARE IN INCHES. TOLERANCES ARE:	
ONE PLACE MM	±0.50
TWO PLACE MM	±0.25
TWO PLACE DEC.	±0.020
THREE PLACE DEC.	±0.010
ANGLES	1°
TEMPERATURE	±5 °C
VOLTAGE	±5 %
AMPERAGE	±5 %
RESISTANCE	±5 %
* STATISTICAL DIMENSION NO. OF SAMPLES [0]	
CAD GENERATED DRAWING, DO NOT MANUALLY UPDATE.	
APPROVALS	DATE
DRAWN BY: DB	19/04/2001
CHECKED BY: RM	19/04/2001
ENGINEERING DB	19/04/2001
TOOLING REF.	T07-210
PRODUCT GROUP	700 SERIES

15kV WALL BUSHING
 .63 X 3.25 SINGLE WINDOW (BLANK)

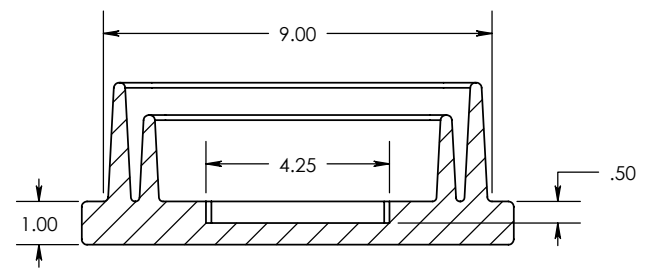
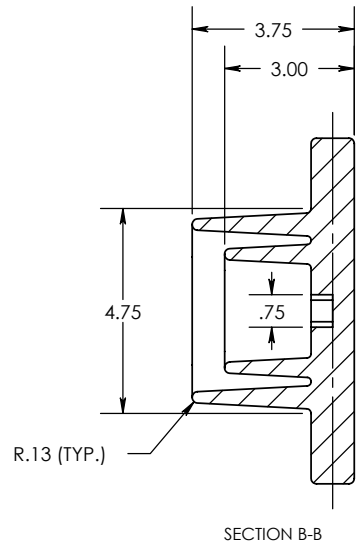
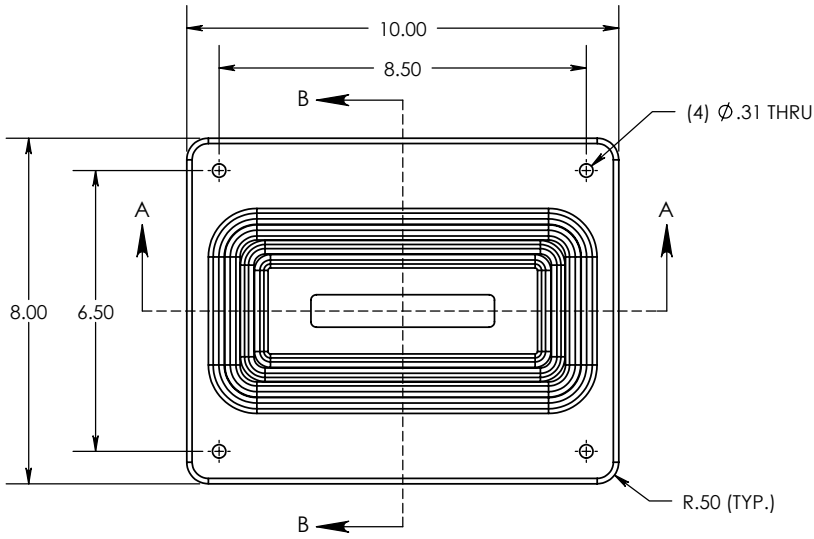
SIZE A	DWG. NO. 07-210-000	REV. 1
SCALE: 4	CAD FILE: 700 SERIES	SHEET 1 OF 1

8 7 6 5 4 3 2 1

8 7 6 5 4 3 2 1

REV. 1
 THE INFORMATION CONTAINED IN THIS DRAWING IS THE SOLE PROPERTY OF ENGINEERED POWER COMPONENTS LTD. ANY REPRODUCTION IN PART OR WHOLE WITHOUT THE WRITTEN PERMISSION OF ENGINEERED POWER COMPONENTS LTD. IS PROHIBITED.

DWG. NO. 07-210-001
 CAD FILE: 700 SERIES



MATERIAL:
 1. BISPHENOL-A EPOXY, E06 (INDOOR, GREY)

SPECIFICATIONS:
 1. BASIC IMPULSE LEVEL 110KV
 2. RECOMMENDED OPENING 5.0" X 9.0"
 3. TEMPERATURE CLASSIFICATION..... -50°C TO 105°C

A	REVISIONS	0	1
	EPOXY DESIGNATION WAS E01 DB: 10-31-2001		
REF.			

UNLESS OTHERWISE SPECIFIED DIMENSIONS ARE IN INCHES. TOLERANCES ARE:	
ONE PLACE MM	±0.50
TWO PLACE MM	±0.25
TWO PLACE DEC.	±0.020
THREE PLACE DEC.	±0.010
ANGLES	1°
TEMPERATURE	±5°C
VOLTAGE	±5%
AMPERAGE	±5%
RESISTANCE	±5%
* STATISTICAL DIMENSION NO. OF SAMPLES [0]	
CAD GENERATED DRAWING, DO NOT MANUALLY UPDATE.	
APPROVALS	DATE
DRAWN BY: DB	19/04/2001
CHECKED BY: RM	19/04/2001
ENGINEERING: DB	19/04/2001
TOOLING REF.	T07-210
PRODUCT GROUP	700 SERIES

15KV WALL BUSHING
 .75 X 4.25 SINGLE WINDOW (BLANK)

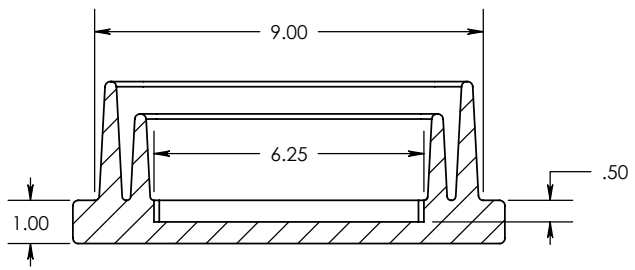
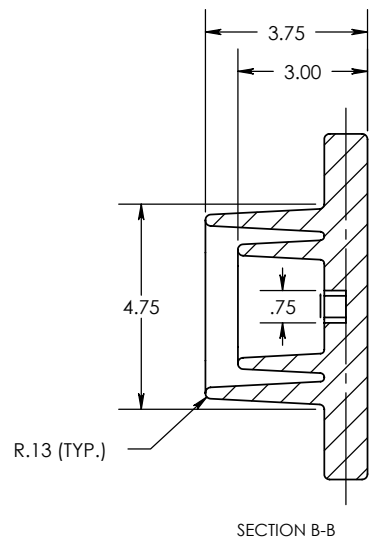
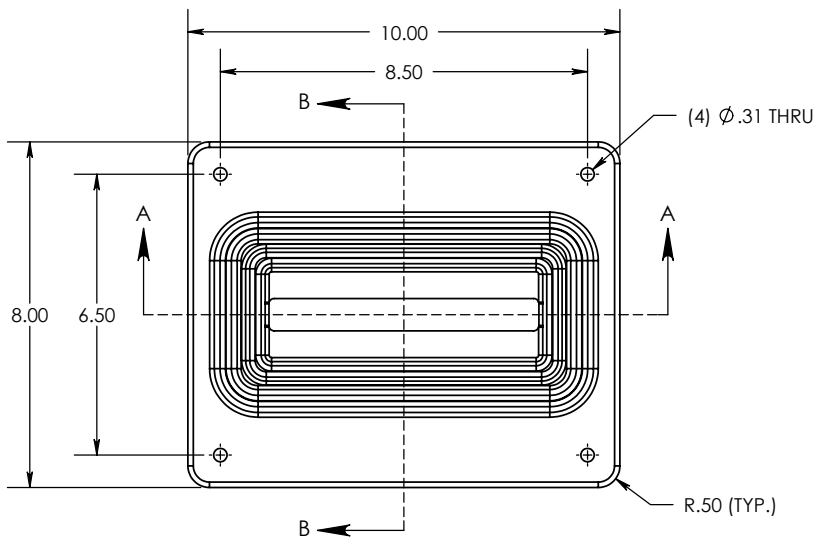
SIZE A	DWG. NO. 07-210-001	REV. 1
SCALE: 4	CAD FILE: 700 SERIES	SHEET 1 OF 1

8 7 6 5 4 3 2 1

8 7 6 5 4 3 2 1

REV. 1
 THE INFORMATION CONTAINED IN THIS DRAWING IS THE SOLE PROPERTY OF
 ENGINEERED POWER COMPONENTS LTD. ANY REPRODUCTION IN PART OR WHOLE WITHOUT
 THE WRITTEN PERMISSION OF ENGINEERED POWER COMPONENTS LTD. IS PROHIBITED.

DWG. NO. 07-210-002
 CAD FILE: 700 SERIES



SECTION A-A

MATERIAL:
 1. BISPHENOL-A EPOXY, E06 (INDOOR, GREY)

SPECIFICATIONS:
 1. BASIC IMPULSE LEVEL 110KV
 2. RECOMMENDED OPENING 5.0" X 9.0"
 3. TEMPERATURE CLASSIFICATION..... -50°C TO 105°C

A	REVISIONS	0	1
	EPOXY DESIGNATION WAS E01 DB 10-31-2001		
REF.			

UNLESS OTHERWISE SPECIFIED
 DIMENSIONS ARE IN INCHES.
 TOLERANCES ARE:
 ONE PLACE MM ±0.50
 TWO PLACE MM ±0.25
 TWO PLACE DEC. ±0.020
 THREE PLACE DEC. ±0.010
 ANGLES 1°

TEMPERATURE ±5°C
 VOLTAGE ±5%
 AMPERAGE ±5%
 RESISTANCE ±5%

* STATISTICAL DIMENSION
 NO. OF SAMPLES [0]

CAD GENERATED DRAWING, DO NOT MANUALLY UPDATE.	
APPROVALS	DATE
DRAWN BY: DB	19/04/2001
CHECKED BY: RM	19/04/2001
ENGINEERING DB	19/04/2001
TOOLING REF.	T07-210
PRODUCT GROUP	700 SERIES

15kV
 WALL BUSHING
 .75 X 6.25
 SINGLE WINDOW
 (BLANK)

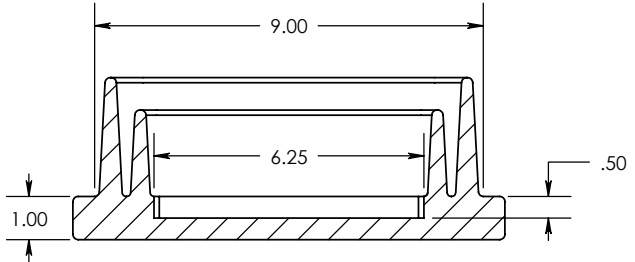
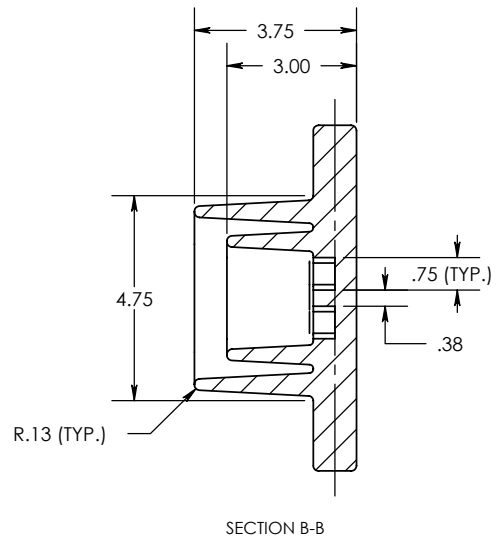
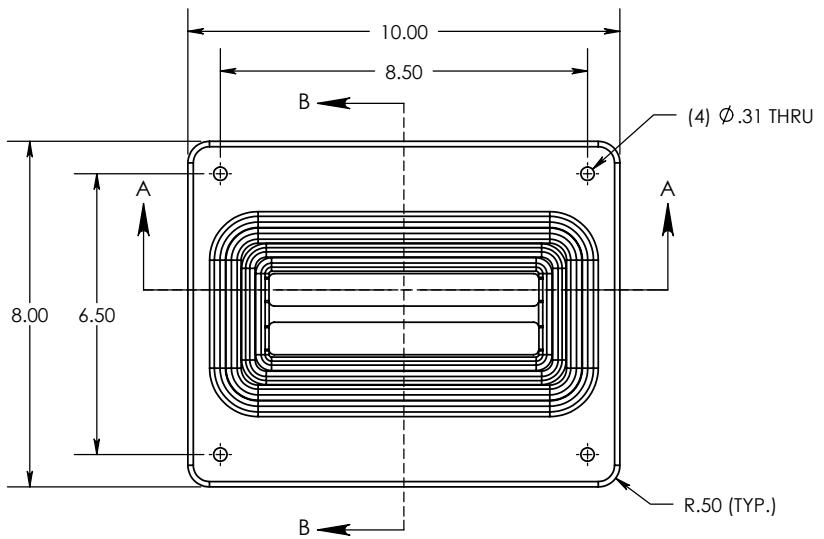
SIZE A	DWG. NO. 07-210-002	REV. 1
SCALE: 4	CAD FILE: 700 SERIES	SHEET 1 OF 1

8 7 6 5 4 3 2 1

8 7 6 5 4 3 2 1

REV. 1
 THE INFORMATION CONTAINED IN THIS DRAWING IS THE SOLE PROPERTY OF
 ENGINEERED POWER COMPONENTS LTD. ANY REPRODUCTION IN PART OR WHOLE WITHOUT
 THE WRITTEN PERMISSION OF ENGINEERED POWER COMPONENTS LTD. IS PROHIBITED.

CAD FILE:
 700 SERIES
 DWG. NO.
 07-210-003



MATERIAL:
 1. BISPHENOL-A EPOXY, E06 (INDOOR, GREY)

SPECIFICATIONS:
 1. BASIC IMPULSE LEVEL 110KV
 2. RECOMMENDED OPENING 5.0" X 9.0"
 3. TEMPERATURE CLASSIFICATION..... -50°C TO 105°C

0	1
REVISIONS	EPOXY DESIGNATION WAS E01 DB 10-31-2001
REF.	

UNLESS OTHERWISE SPECIFIED DIMENSIONS ARE IN INCHES. TOLERANCES ARE:

ONE PLACE MM ±0.50
 TWO PLACE MM ±0.25
 TWO PLACE DEC. ±0.020
 THREE PLACE DEC. ±0.010
 ANGLES 1°

TEMPERATURE ±5°C
 VOLTAGE ±5%
 AMPERAGE ±5%
 RESISTANCE ±5%

* STATISTICAL DIMENSION
 NO. OF SAMPLES [0]

CAD GENERATED DRAWING, DO NOT MANUALLY UPDATE.	
APPROVALS	DATE
DRAWN BY: DB	19/04/2001
CHECKED BY: RM	19/04/2001
ENGINEERING: DB	19/04/2001
TOOLING REF.	T07-210
PRODUCT GROUP	700 SERIES

15KV WALL BUSHING
 .75 X 6.25 DUAL WINDOW (BLANK)

SIZE A	DWG. NO. 07-210-003	REV. 1
SCALE: 4	CAD FILE: 700 SERIES	SHEET 1 OF 1

8 7 6 5 4 3 2 1