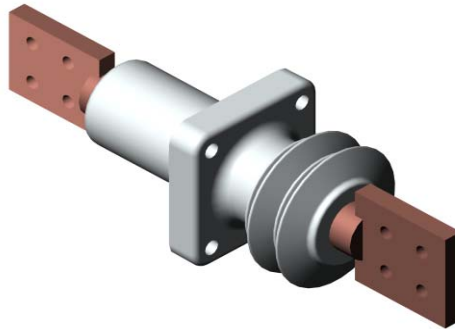




**2000 - LV Series  
Apparatus Bushings  
5 kV, 60 kV BIL (Air/Air)  
5 kV, 75 kV BIL (Air/Oil)  
Current Rating: 800 Amp to 3500**



**USE:**

2000 Series Apparatus Bushings are designed for use in both liquid filled transformer and switchgear applications. The 2000 Series Bushing is rated for use in ambient temperatures ranging from -50°C to 105°C. Current carrying capacity is affected by mounting and termination methods.

**CONSTRUCTION:**

2000 Series Apparatus Bushings are constructed of C110 electrolytic grade copper with silver brazed connections for maximum conductivity. Insulation is Cycloaliphatic cast epoxy rated for enclosed or outdoor applications.

**CUSTOM OPTIONS:**

2000 Series Apparatus Bushings are easily customized for any application. Spade and stud configurations can be altered to suit any termination and copper conductor sizes are available for 800 Amp to 3500 Amp applications. Body shank lengths can also be customized to customer requirements.

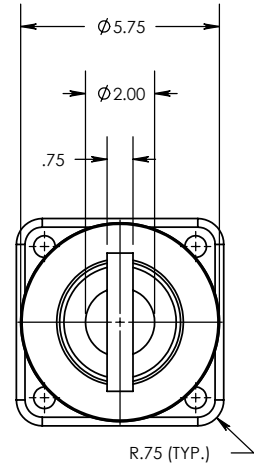
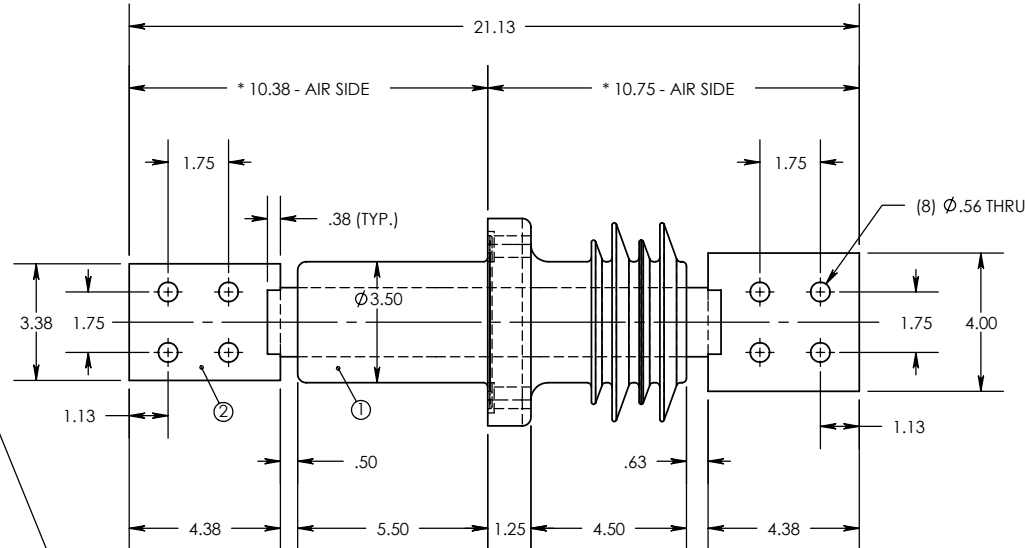
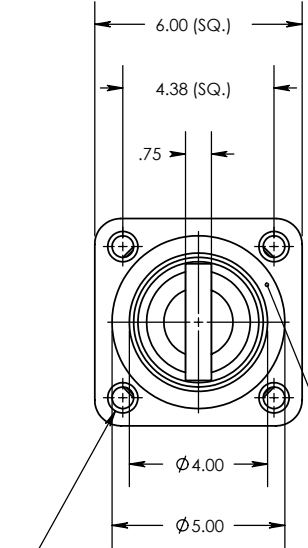
Engineered Power Components Ltd.  
Unit E - 10 Keenleyside St.  
Winnipeg, Manitoba, Canada  
R2L 2B9

Phone: (204) 663-4195  
Fax: (204) 663-5256  
Toll Free: 1-888-416-8111  
Email: [sales@epclimited.com](mailto:sales@epclimited.com)  
Website: [www.epclimited.com](http://www.epclimited.com)

8 7 6 5 4 3 2 1

REV. 2  
 THE INFORMATION CONTAINED IN THIS DRAWING IS THE SOLE PROPERTY OF ENGINEERED POWER COMPONENTS LTD. ANY REPRODUCTION IN PART OR WHOLE WITHOUT THE WRITTEN PERMISSION OF ENGINEERED POWER COMPONENTS LTD. IS PROHIBITED.

DWG. NO. 20-000-000  
 CAD FILE: 2000 SERIES



NOTES:  
 1. ALL CONTACT SURFACES TO BE CLEAN & FREE FROM FLASH  
 2. RECOMMENDED OPENING: Ø4.00 (MIN.)

MATERIAL:  
 1. E07 - CYCLOALIPHATIC EPOXY (U.V. EXPOSED)  
 2. HD ETP C11000 GRADE COPPER, TIN PLATED

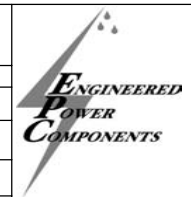
SPECIFICATIONS:  
 1. RATED VOLTAGE ..... 5kV  
 2. POWER FREQUENCY WITHSTAND ..... 19kV  
 3. BASIC IMPULSE LEVEL ..... 60kV AIR/AIR  
 4. NOMINAL CURRENT RATING ..... 2000 AMPS (AIR/AIR)  
 5. CREEP DISTANCE ..... 10"  
 6. TEMPERATURE CLASSIFICATION..... -50°C TO +105°C

ITEM NO.	QTY.	PART NO.	DESCRIPTION
1	1	20-000-0	BUSHING, EPOXY
2	1	20-000-000 C01	CONDUCTOR ASSEMBLY, COPPER

REVISIONS	0	1	2
NOMINAL CURRENT RATING WAS 2000 AMPS. DE 07-24-2000			
CHANGED SPECIFICATION TO POWER APPARATUS BUSHING ASSEMBLY WAS BUSHING APPLICATION RM 03-25-2002 DB 03-25-2002			

UNLESS OTHERWISE SPECIFIED DIMENSIONS ARE IN INCHES. TOLERANCES ARE:  
 ONE PLACE MM ±0.50  
 TWO PLACE MM ±0.25  
 TWO PLACE DEC. ±0.020  
 THREE PLACE DEC. ±0.010  
 ANGLES 1°  
 TEMPERATURE ±5°C  
 VOLTAGE ±5%  
 AMPERAGE ±5%  
 RESISTANCE ±5%

CAD GENERATED DRAWING, DO NOT MANUALLY UPDATE.  
 APPROVALS DATE  
 DRAWN BY: DB 09/05/2000  
 CHECKED BY: RM 25/07/2000  
 ENGINEERING DB 26/07/2000



2000 SERIES  
 5KV POWER  
 APPARATUS  
 BUSHING

REF.	8	7	6	5	4	3	2	1

\* STATISTICAL DIMENSION  
 NO. OF SAMPLES [ 2 ]

TOOLING REF. T20-000  
 PRODUCT GROUP 2000 SERIES

SIZE A	DWG. NO. 20-000-000	REV. 2
SCALE: 1:5	CAD FILE: 2000 SERIES	SHEET 1 OF 1

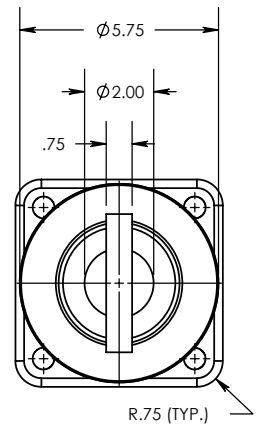
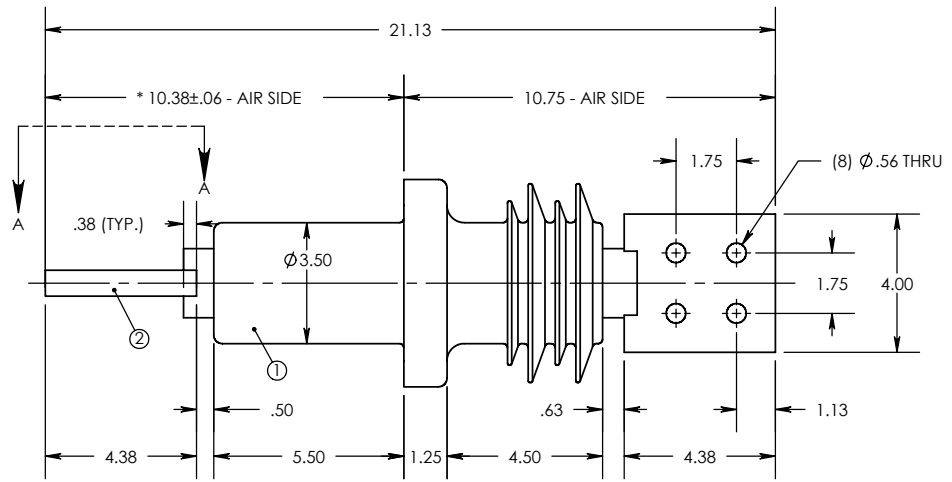
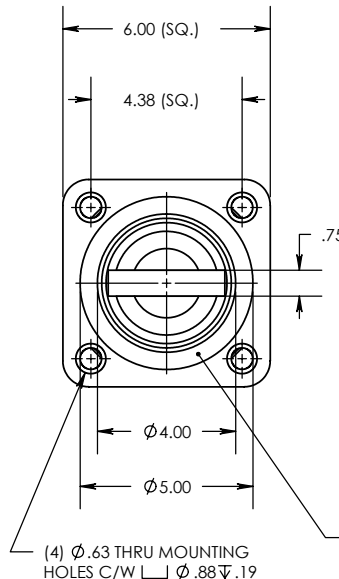
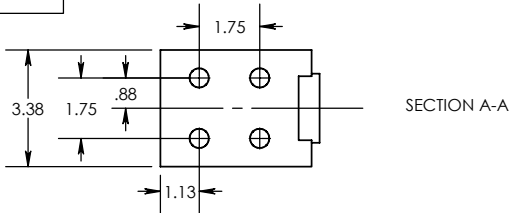
8 7 6 5 4 3 2 1

8 7 6 5 4 3 2 1

REV. 0  
 THE INFORMATION CONTAINED IN THIS DRAWING IS THE SOLE PROPERTY OF ENGINEERED POWER COMPONENTS LTD. ANY REPRODUCTION IN PART OR WHOLE WITHOUT THE WRITTEN PERMISSION OF ENGINEERED POWER COMPONENTS LTD. IS PROHIBITED.

ITEM NO.	QTY.	PART NO.	DESCRIPTION
1	1	20-000-0	BUSHING, EPOXY
2	1	20-000-001 C01	CONDUCTOR ASSEMBLY, COPPER

CAD FILE: 2000 SERIES  
 DWG. NO. 20-000-001



NOTES:  
 1. ALL CONTACT SURFACES TO BE CLEAN & FREE FROM FLASH  
 2. RECOMMENDED OPENING:  $\phi$ 4.00 (MIN.)

MATERIAL:  
 1. E07 - CYCLOALIPHATIC EPOXY (U.V. EXPOSED)  
 2. HD ETP C11000 GRADE COPPER, TIN PLATED

SPECIFICATIONS:  
 1. RATED VOLTAGE ..... 5kV  
 2. POWER FREQUENCY WITHSTAND ..... 19kV  
 3. BASIC IMPULSE LEVEL ..... 60kV AIR/AIR  
 4. NOMINAL CURRENT RATING ..... 2000 AMPS (AIR/AIR)  
 5. CREEP DISTANCE ..... 10"  
 6. TEMPERATURE CLASSIFICATION..... -50°C TO +105°C

REVISIONS  
 REF.

REV.	DESCRIPTION
0	

UNLESS OTHERWISE SPECIFIED DIMENSIONS ARE IN INCHES. TOLERANCES ARE:  
 ONE PLACE MM  $\pm$ 0.50  
 TWO PLACE MM  $\pm$ 0.25  
 TWO PLACE DEC.  $\pm$ 0.020  
 THREE PLACE DEC.  $\pm$ 0.010  
 ANGLES 1°

TEMPERATURE  $\pm$ 5°C  
 VOLTAGE  $\pm$ 5%  
 AMPERAGE  $\pm$ 5%  
 RESISTANCE  $\pm$ 5%

\* STATISTICAL DIMENSION  
 NO. OF SAMPLES [ 1 ]

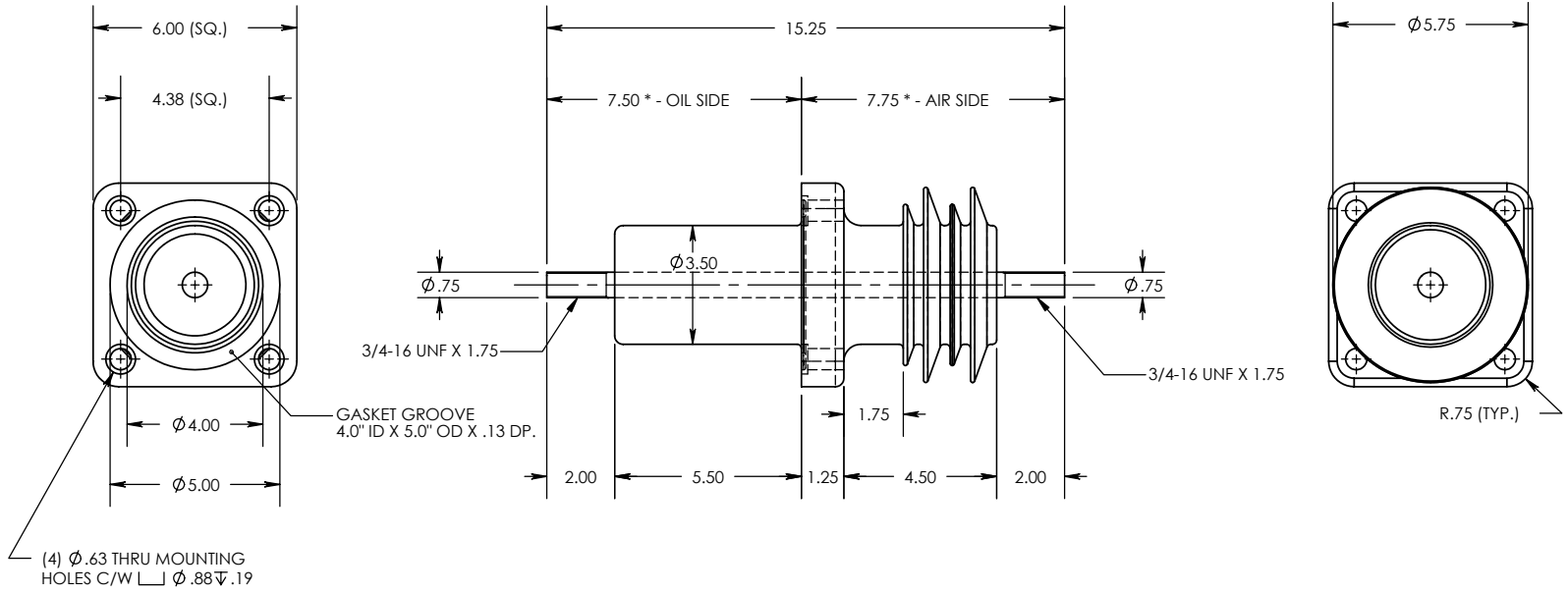
CAD GENERATED DRAWING, DO NOT MANUALLY UPDATE.			2000 SERIES		
APPROVALS	DATE		5kV POWER APPARATUS		
DRAWN BY: DB	07/07/2003		BUSHING		
CHECKED BY: RM	07/07/2003				
ENGINEERING	DB	07/07/2003			
TOOLING REF.	T20-000-0	SIZE A	DWG. NO. 20-000-001	REV. 0	
PRODUCT GROUP	2000 SERIES	SCALE] :5	CAD FILE: 2000 SERIES	SHEET 1 OF 1	

8 7 6 5 4 3 2 1

8 7 6 5 4 3 2 1

REV. 0  
 THE INFORMATION CONTAINED IN THIS DRAWING IS THE SOLE PROPERTY OF ENGINEERED POWER COMPONENTS LTD. ANY REPRODUCTION IN PART OR WHOLE WITHOUT THE WRITTEN PERMISSION OF ENGINEERED POWER COMPONENTS LTD. IS PROHIBITED.

CAD FILE: 2000 SERIES  
 DWG. NO. 20-000-100



NOTES:  
 1. ALL CONTACT SURFACES TO BE CLEAN & FREE FROM FLASH  
 2. RECOMMENDED OPENING: Ø 4.00 (MIN.)

MATERIAL:  
 1. E04 - CYCLOALIPHATIC EPOXY (U.V. EXPOSED)  
 2. C110 GRADE COPPER, TIN PLATED

SPECIFICATIONS:  
 1. RATED VOLTAGE ..... 5kV  
 2. POWER FREQUENCY WITHSTAND ..... 19kV  
 3. BASIC IMPULSE LEVEL ..... 60kV AIR/AIR, 75kV AIR/OIL  
 4. NOMINAL CURRENT RATING ..... 800 AMPS  
 5. CREEP DISTANCE ..... 10"  
 6. TEMPERATURE CLASSIFICATION..... -50°C TO +105°C

REVISIONS  
 REF.

0	
---	--

UNLESS OTHERWISE SPECIFIED DIMENSIONS ARE IN INCHES. TOLERANCES ARE:  
 ONE PLACE MM ±0.50  
 TWO PLACE MM ±0.25  
 TWO PLACE DEC. ±0.020  
 THREE PLACE DEC. ±0.010  
 ANGLES 1°  
 TEMPERATURE ±5°C  
 VOLTAGE ±5%  
 AMPERAGE ±5%  
 RESISTANCE ±5%  
 \* STATISTICAL DIMENSION  
 NO. OF SAMPLES [ 2 ]

CAD GENERATED DRAWING, DO NOT MANUALLY UPDATE.  
 APPROVALS DATE  
 DRAWN BY: DB 15/06/2000  
 CHECKED BY:  
 ENGINEERING  
 TOOLING REF. T20-000  
 PRODUCT GROUP 2000 SERIES

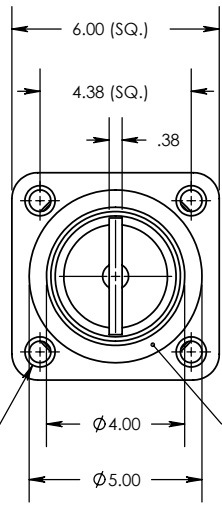
	2000 SERIES	
	5KV POWER TRANSFORMER BUSHING	
SIZE A	DWG. NO. 20-000-100	REV. 0
SCALE] :5	CAD FILE: 2000 SERIES	SHEET 1 OF 1

8 7 6 5 4 3 2 1

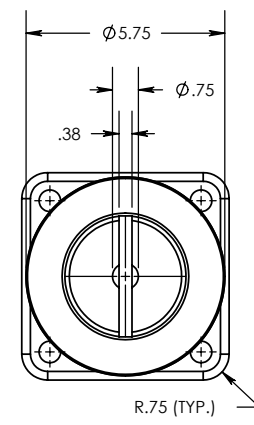
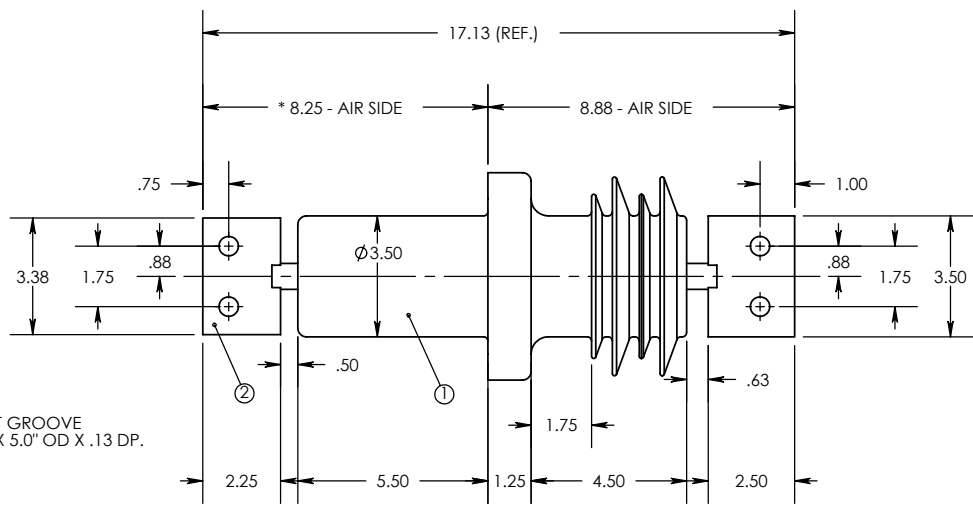
8 7 6 5 4 3 2 1

REV. 1 THE INFORMATION CONTAINED IN THIS DRAWING IS THE SOLE PROPERTY OF ENGINEERED POWER COMPONENTS LTD. ANY REPRODUCTION IN PART OR WHOLE WITHOUT THE WRITTEN PERMISSION OF ENGINEERED POWER COMPONENTS LTD. IS PROHIBITED.

DWG. NO. 20-000-101 CAD FILE: 2000 SERIES



GASKET GROOVE  
4.0" ID X 5.0" OD X .13 DP.



(4) Ø.63 THRU MOUNTING HOLES C/W Ø.88±.19

NOTES:  
1. ALL CONTACT SURFACES TO BE CLEAN & FREE FROM FLASH  
2. RECOMMENDED OPENING: Ø4.00 (MIN.)

MATERIAL:  
1. E07 - CYCLOALIPHATIC EPOXY (U.V. EXPOSED)  
2. HD ETP C11000 GRADE COPPER, TIN PLATED

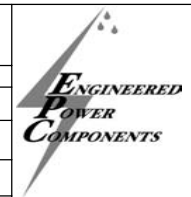
SPECIFICATIONS:  
1. RATED VOLTAGE ..... 5kV  
2. POWER FREQUENCY WITHSTAND ..... 19kV  
3. BASIC IMPULSE LEVEL ..... 60kV AIR/AIR  
4. NOMINAL CURRENT RATING ..... 800 AMPS  
5. CREEP DISTANCE ..... 10"  
6. TEMPERATURE CLASSIFICATION..... -50°C TO +105°C

ITEM NO.	QTY.	PART NO.	DESCRIPTION
1	1	20-000-1	BUSHING, EPOXY
2	1	20-000-101 C01	CONDUCTOR ASSEMBLY, COPPER

REVISIONS	0	1
CHANGED SPECIFICATION TO POWER APPARATUS BUSHING: BUSHING WAS DUAL APPLICATION E07 WAS E04 RM 04-10-2002 DB 04-10-2002		

UNLESS OTHERWISE SPECIFIED DIMENSIONS ARE IN INCHES. TOLERANCES ARE:  
ONE PLACE MM ±0.50  
TWO PLACE MM ±0.25  
TWO PLACE DEC. ±0.020  
THREE PLACE DEC. ±0.010  
ANGLES 1°  
TEMPERATURE ±5°C  
VOLTAGE ±5%  
AMPERAGE ±5%  
RESISTANCE ±5%

CAD GENERATED DRAWING, DO NOT MANUALLY UPDATE.  
APPROVALS DATE  
DRAWN BY: DB 13/02/2002  
CHECKED BY: RM 18/02/2002  
ENGINEERING DB 18/02/2002



2000 SERIES  
5kV POWER  
APPARATUS  
BUSHING

REF.

\* STATISTICAL DIMENSION  
NO. OF SAMPLES [ 1 ]

TOOLING REF. T20-000-1  
PRODUCT GROUP 2000 SERIES

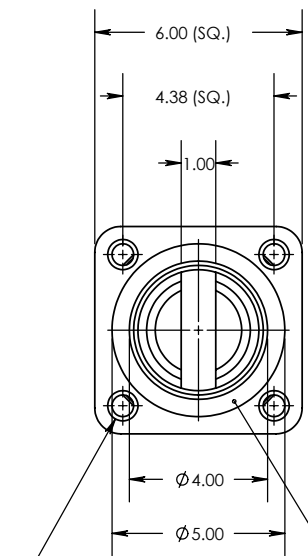
SIZE A	DWG. NO. 20-000-101	REV. 1
SCALE: 1:5	CAD FILE: 2000 SERIES	SHEET 1 OF 1

8 7 6 5 4 3 2 1

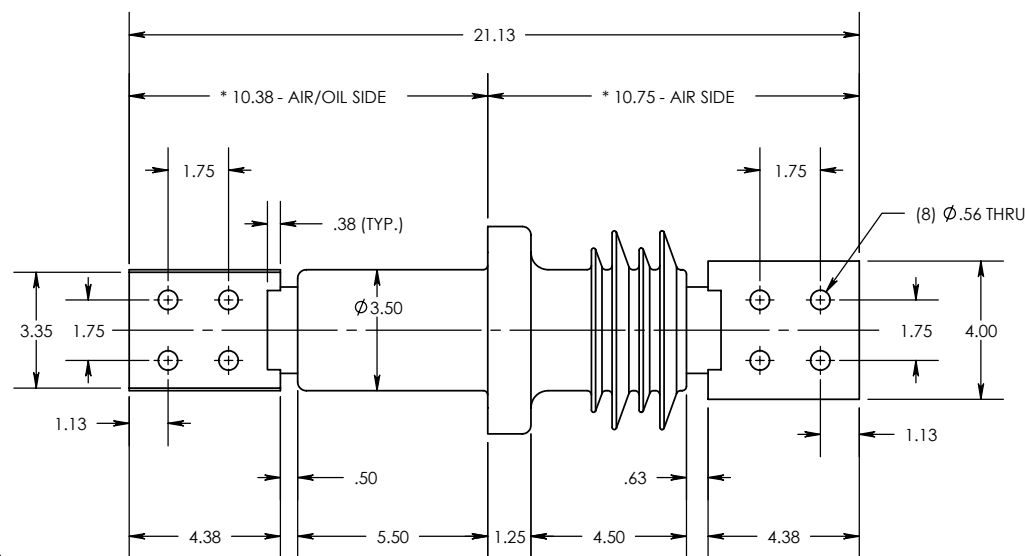
8 7 6 5 4 3 2 1

REV. 0  
 THE INFORMATION CONTAINED IN THIS DRAWING IS THE SOLE PROPERTY OF ENGINEERED POWER COMPONENTS LTD. ANY REPRODUCTION IN PART OR WHOLE WITHOUT THE WRITTEN PERMISSION OF ENGINEERED POWER COMPONENTS LTD. IS PROHIBITED.

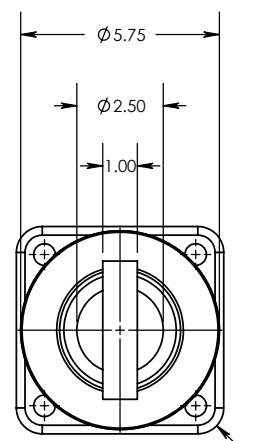
CAD FILE: 2000 SERIES  
 DWG. NO. 20-000-200



(4) Ø.63 THRU MOUNTING HOLES C/W L Ø.88Ψ.19



GASKET GROOVE 4.0" ID X 5.0" OD X .13 DP.



NOTES:  
 1. ALL CONTACT SURFACES TO BE CLEAN & FREE FROM FLASH  
 2. RECOMMENDED OPENING: Ø4.00 (MIN.)

MATERIAL:  
 1. E04 - CYCLOALIPHATIC EPOXY (U.V. EXPOSED)  
 2. C110 GRADE COPPER, TIN PLATED

SPECIFICATIONS:  
 1. RATED VOLTAGE ..... 5kV  
 2. POWER FREQUENCY WITHSTAND ..... 19kV  
 3. BASIC IMPULSE LEVEL ..... 60kV AIR/AIR, 75kV AIR/OIL  
 4. NOMINAL CURRENT RATING ..... 3000 AMPS (AIR/AIR)  
 5000 AMPS (AIR/OIL)  
 5. CREEP DISTANCE ..... 10"  
 6. TEMPERATURE CLASSIFICATION..... -50°C TO +105°C

A	REVISIONS	0	
	REF.		

UNLESS OTHERWISE SPECIFIED DIMENSIONS ARE IN INCHES. TOLERANCES ARE:  
 ONE PLACE MM ±0.50  
 TWO PLACE MM ±0.25  
 TWO PLACE DEC. ±0.020  
 THREE PLACE DEC. ±0.010  
 ANGLES 1°  
 TEMPERATURE ±5°C  
 VOLTAGE ±5%  
 AMPERAGE ±5%  
 RESISTANCE ±5%

\* STATISTICAL DIMENSION  
 NO. OF SAMPLES [ 2 ]

CAD GENERATED DRAWING, DO NOT MANUALLY UPDATE.	
APPROVALS	DATE
DRAWN BY: DB	20/08/2001
CHECKED BY:	
ENGINEERING	
TOOLING REF.	T20-000-2
PRODUCT GROUP	2000 SERIES

2000 SERIES  
 5KV POWER  
 TRANSFORMER  
 BUSHING

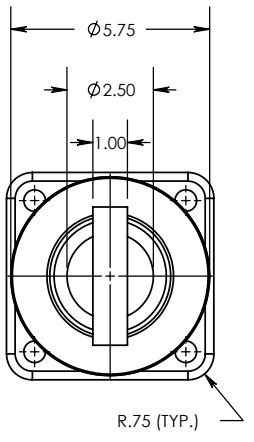
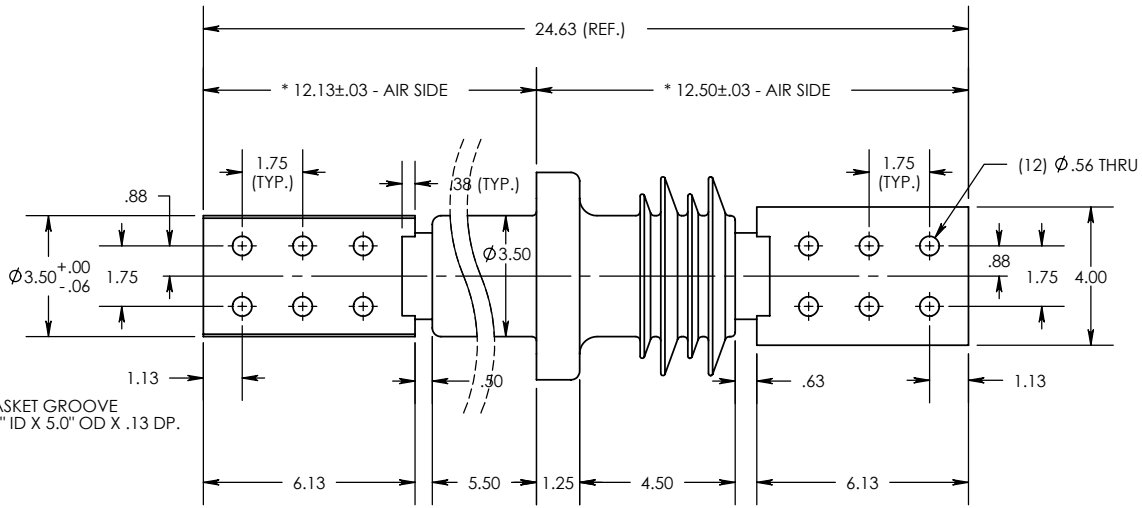
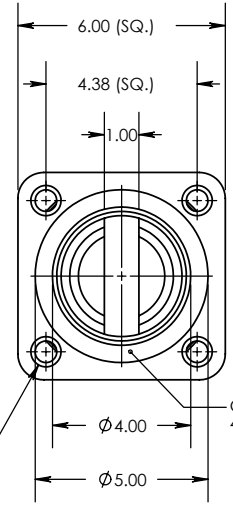
SIZE A	DWG. NO. 20-000-200	REV. 0
SCALE: 1:5	CAD FILE: 2000 SERIES	SHEET 1 OF 1

8 7 6 5 4 3 2 1

8 7 6 5 4 3 2 1

REV. 1 THE INFORMATION CONTAINED IN THIS DRAWING IS THE SOLE PROPERTY OF ENGINEERED POWER COMPONENTS LTD. ANY REPRODUCTION IN PART OR WHOLE WITHOUT THE WRITTEN PERMISSION OF ENGINEERED POWER COMPONENTS LTD. IS PROHIBITED.

DWG. NO. 20-000-201 CAD FILE: 2000 SERIES



(4) Ø .63 THRU MOUNTING HOLES C/W  $\perp$  Ø .88  $\nabla$  .19

GASKET GROOVE 4.0" ID X 5.0" OD X .13 DP.

NOTES:  
1. ALL CONTACT SURFACES TO BE CLEAN & FREE FROM FLASH  
2. RECOMMENDED OPENING: Ø 4.00 (MIN.)

MATERIAL:  
1. E07 - CYCLOALIPHATIC EPOXY (U.V. EXPOSED)  
2. C110 GRADE COPPER, TIN PLATED

SPECIFICATIONS:  
1. RATED VOLTAGE ..... 5kV  
2. POWER FREQUENCY WITHSTAND ..... 19kV  
3. BASIC IMPULSE LEVEL ..... 60kV AIR/AIR  
4. NOMINAL CURRENT RATING ..... 3600 AMPS (AIR/AIR)  
5. CREEP DISTANCE ..... 10"  
6. TEMPERATURE CLASSIFICATION..... -50°C TO +105°C

ITEM NO.	QTY.	PART NO.	DESCRIPTION
1	1	20-000-2	BUSHING, EPOXY
2	1	20-000-201 C01	CONDUCTOR ASSEMBLY, COPPER

REV.	DESCRIPTION
0	1

CHANGED SPECIFICATION FROM ORIGINAL BUSHING BUSHING WAS DUAL APPLICATION  
RM 19/08/2002  
DB 19/08/2002

UNLESS OTHERWISE SPECIFIED DIMENSIONS ARE IN INCHES. TOLERANCES ARE:  
ONE PLACE MM ±0.50  
TWO PLACE MM ±0.25  
TWO PLACE DEC. ±0.020  
THREE PLACE DEC. ±0.010  
ANGLES 1°  
TEMPERATURE ±5°C  
VOLTAGE ±5%  
AMPERAGE ±5%  
RESISTANCE ±5%

CAD GENERATED DRAWING, DO NOT MANUALLY UPDATE.  
APPROVALS DATE  
DRAWN BY: DB 27/11/2001  
CHECKED BY: RM 28/11/2001  
ENGINEERING DB 28/11/2001



2000 SERIES  
5KV POWER  
APPARATUS  
BUSHING

REF.	DESCRIPTION
	* STATISTICAL DIMENSION NO. OF SAMPLES [ 2 ]

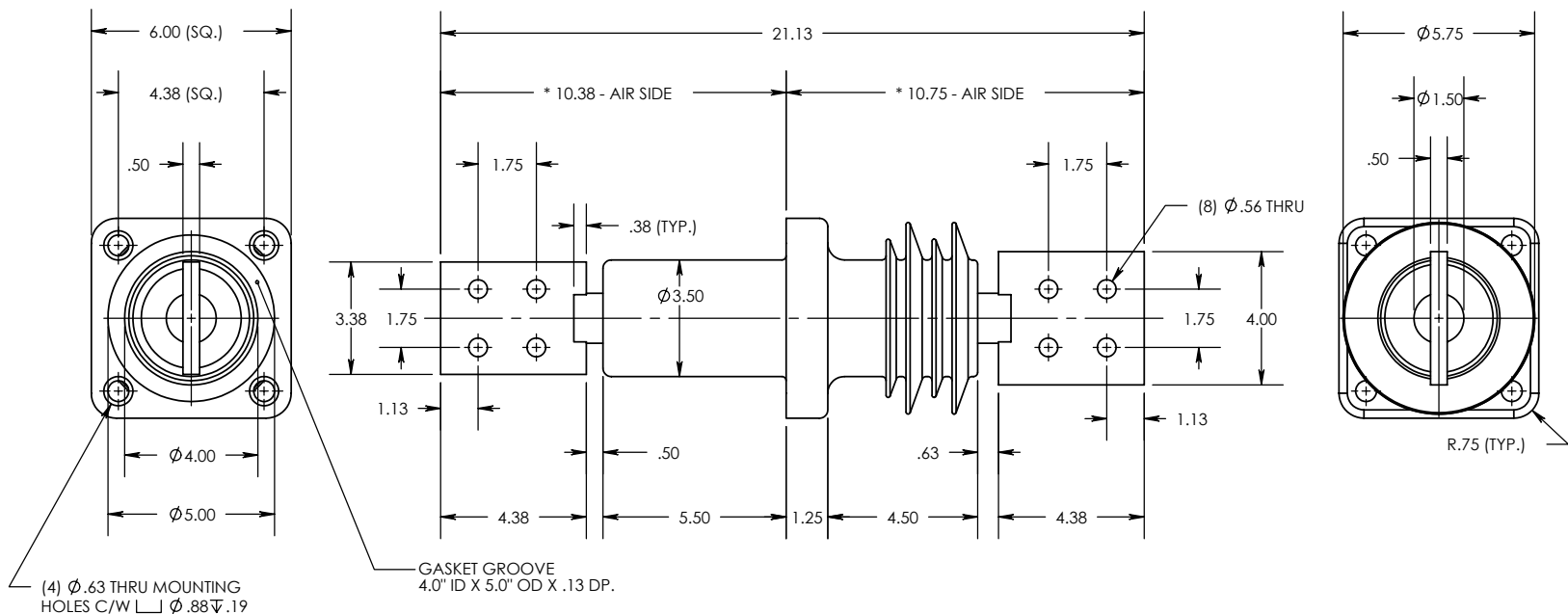
TOOLING REF. T20-000-2	SIZE A	DWG. NO. 20-000-201	REV. 1
PRODUCT GROUP 2000 SERIES	SCALE: 1:5	CAD FILE: 2000 SERIES	SHEET 1 OF 1

8 7 6 5 4 3 2 1

8 7 6 5 4 3 2 1

REV. 1  
 THE INFORMATION CONTAINED IN THIS DRAWING IS THE SOLE PROPERTY OF ENGINEERED POWER COMPONENTS LTD. ANY REPRODUCTION IN PART OR WHOLE WITHOUT THE WRITTEN PERMISSION OF ENGINEERED POWER COMPONENTS LTD. IS PROHIBITED.

CAD FILE: 2000 SERIES  
 DWG. NO. 20-000-300



NOTES:  
 1. ALL CONTACT SURFACES TO BE CLEAN & FREE FROM FLASH  
 2. RECOMMENDED OPENING: Ø4.00 (MIN.)

MATERIAL:  
 1. E07 - CYCLOALIPHATIC EPOXY (U.V. EXPOSED)  
 2. C110 GRADE COPPER, TIN PLATED

SPECIFICATIONS:  
 1. RATED VOLTAGE ..... 5kV  
 2. POWER FREQUENCY WITHSTAND ..... 19kV  
 3. BASIC IMPULSE LEVEL ..... 60kV AIR/AIR  
 4. NOMINAL CURRENT RATING ..... 1200 AMPS (AIR/AIR)  
 5. CREEP DISTANCE ..... 10"  
 6. TEMPERATURE CLASSIFICATION..... -50°C TO +105°C

ITEM NO.	QTY.	PART NO.	DESCRIPTION
1	1	20-000-3	BUSHING, EPOXY
2	1	20-000-300 C01	CONDUCTOR ASSEMBLY, COPPER

REVISIONS	DESCRIPTION
0	
1	DWG 3.38 WAS 3.46. REVISION TO POWER APPARATUS BUSHING. BUSHING WAS DUAL APPLICATION RM 22-05-2002 DB 22-05-2002

UNLESS OTHERWISE SPECIFIED DIMENSIONS ARE IN INCHES. TOLERANCES ARE:  
 ONE PLACE MM ±0.50  
 TWO PLACE MM ±0.25  
 TWO PLACE DEC. ±0.02  
 THREE PLACE DEC. ±0.01  
 ANGLES 1°  
 TEMPERATURE ±5°C  
 VOLTAGE ±5%  
 AMPERAGE ±5%  
 RESISTANCE ±5%

CAD GENERATED DRAWING, DO NOT MANUALLY UPDATE.	
APPROVALS	DATE
DRAWN BY: DB	20/08/2001
CHECKED BY: RM	20/08/2001
ENGINEERING: DB	20/08/2001
TOOLING REF.	T20-000-3
PRODUCT GROUP	2000 SERIES

2000 SERIES  
 5KV POWER APPARATUS  
 BUSHING

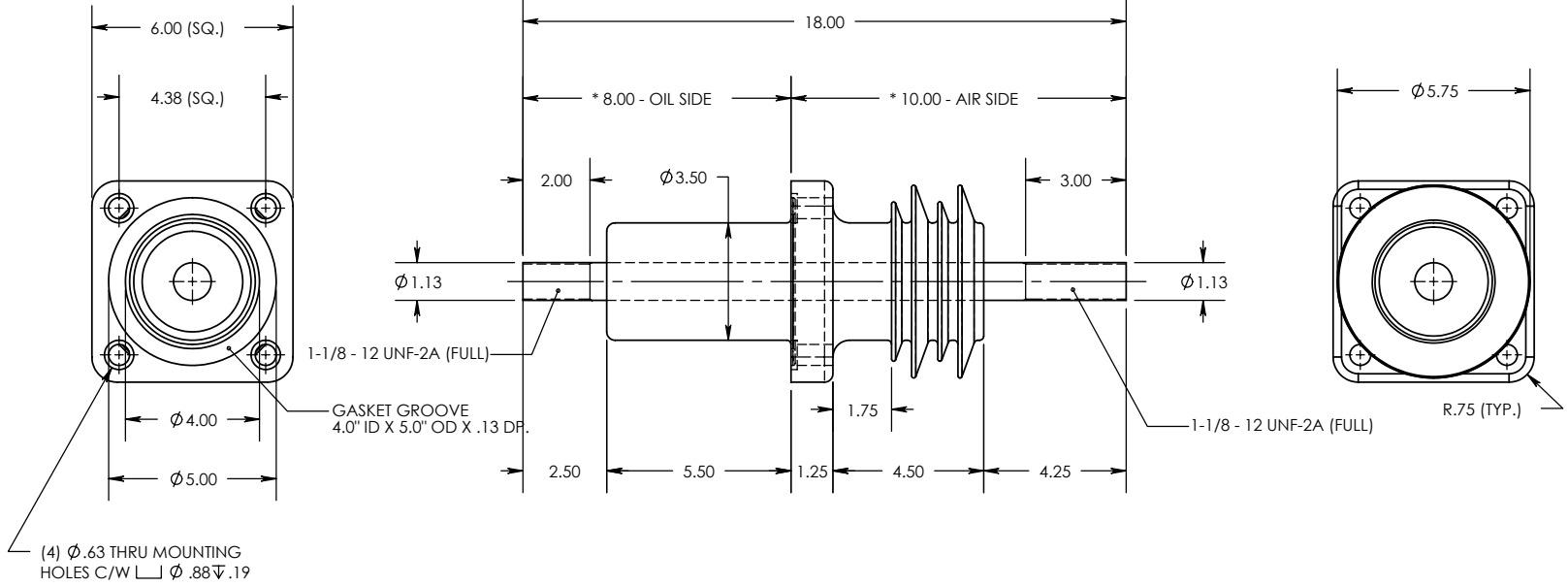
SIZE A DWG. NO. 20-000-300 REV. 1  
 SCALE: 1:5 CAD FILE: 2000 SERIES SHEET 1 OF 1

8 7 6 5 4 3 2 1

8 7 6 5 4 3 2 1

REV. 0  
 THE INFORMATION CONTAINED IN THIS DRAWING IS THE SOLE PROPERTY OF ENGINEERED POWER COMPONENTS LTD. ANY REPRODUCTION IN PART OR WHOLE WITHOUT THE WRITTEN PERMISSION OF ENGINEERED POWER COMPONENTS LTD. IS PROHIBITED.

CAD FILE: 2000 SERIES  
 DWG. NO. 20-000-400



NOTES:  
 1. ALL CONTACT SURFACES TO BE CLEAN & FREE FROM FLASH  
 2. RECOMMENDED OPENING: Ø4.00 (MIN.)

MATERIAL:  
 1. E04 - CYCLOALIPHATIC EPOXY (U.V. EXPOSED)  
 2. C110 GRADE COPPER, TIN PLATED

SPECIFICATIONS:  
 1. RATED VOLTAGE ..... 5kV  
 2. POWER FREQUENCY WITHSTAND ..... 19kV  
 3. BASIC IMPULSE LEVEL ..... 60kV AIR/AIR, 75kV AIR/OIL  
 4. NOMINAL CURRENT RATING ..... 800 AMPS  
 5. CREEP DISTANCE ..... 10"  
 6. TEMPERATURE CLASSIFICATION..... -50°C TO +105°C

REVISIONS  
 REF.

0	
---	--

UNLESS OTHERWISE SPECIFIED DIMENSIONS ARE IN INCHES. TOLERANCES ARE:  
 ONE PLACE MM ±0.50  
 TWO PLACE MM ±0.25  
 TWO PLACE DEC. ±0.020  
 THREE PLACE DEC. ±0.010  
 ANGLES 1°  
 TEMPERATURE ±5°C  
 VOLTAGE ±5%  
 AMPERAGE ±5%  
 RESISTANCE ±5%  
 \* STATISTICAL DIMENSION  
 NO. OF SAMPLES [ 2 ]

CAD GENERATED DRAWING, DO NOT MANUALLY UPDATE.  
 APPROVALS DATE  
 DRAWN BY: DB 10/04/2001  
 CHECKED BY:  
 ENGINEERING  
 TOOLING REF. 20-000-4  
 PRODUCT GROUP 2000 SERIES

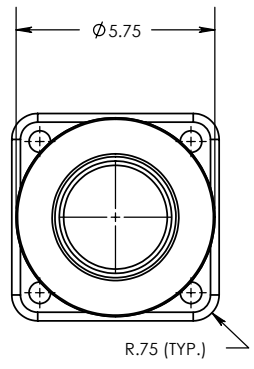
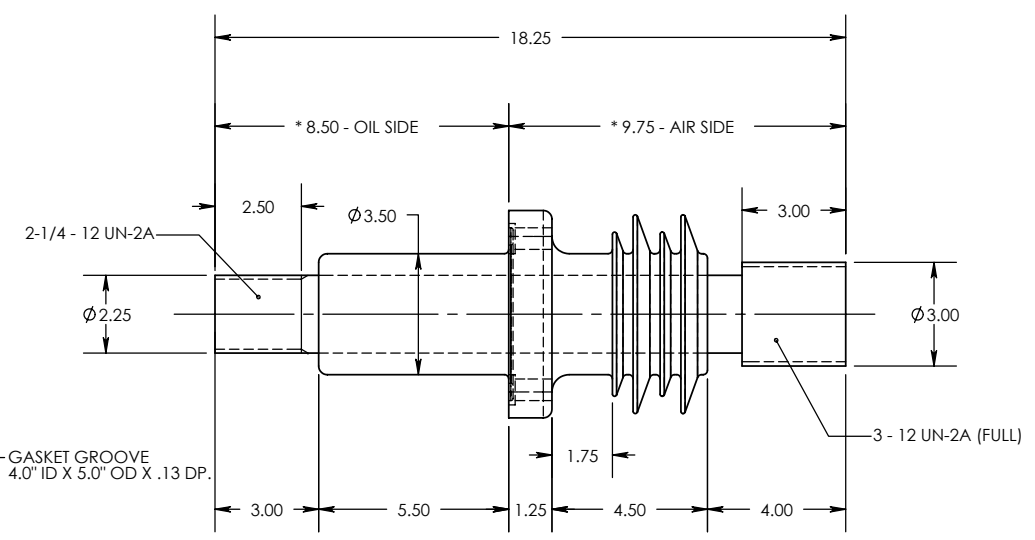
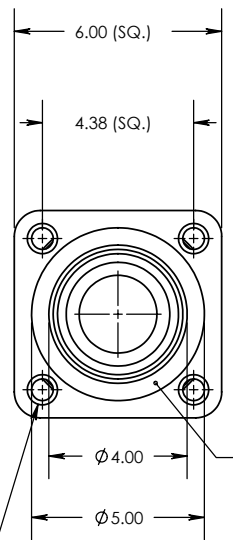
	2000 SERIES	
	5KV POWER TRANSFORMER BUSHING	
SIZE A	DWG. NO. 20-000-400	REV. 0
SCALE] :5	CAD FILE: 2000 SERIES	SHEET 1 OF 1

8 7 6 5 4 3 2 1

8 7 6 5 4 3 2 1

REV. 0  
 THE INFORMATION CONTAINED IN THIS DRAWING IS THE SOLE PROPERTY OF ENGINEERED POWER COMPONENTS LTD. ANY REPRODUCTION IN PART OR WHOLE WITHOUT THE WRITTEN PERMISSION OF ENGINEERED POWER COMPONENTS LTD. IS PROHIBITED.

CAD FILE: 2000 SERIES  
 DWG. NO. 20-000-500



(4)  $\phi$ .63 THRU MOUNTING HOLES C/W  $\perp$   $\phi$ .88  $\nabla$ .19

GASKET GROOVE  
 4.0" ID X 5.0" OD X .13 DP.

NOTES:  
 1. ALL CONTACT SURFACES TO BE CLEAN & FREE FROM FLASH  
 2. RECOMMENDED OPENING:  $\phi$ 4.00 (MIN.)

MATERIAL:  
 1. E04 - CYCLOALIPHATIC EPOXY (U.V. EXPOSED)  
 2. C110 GRADE COPPER, TIN PLATED

SPECIFICATIONS:  
 1. RATED VOLTAGE ..... 5kV  
 2. POWER FREQUENCY WITHSTAND ..... 19kV  
 3. BASIC IMPULSE LEVEL ..... 60kV AIR/AIR, 75kV AIR/OIL  
 4. NOMINAL CURRENT RATING ..... 4200 AMPS  
 5. CREEP DISTANCE ..... 10"  
 6. TEMPERATURE CLASSIFICATION..... -50°C TO +105°C

REVISIONS  
 REF.

0	
---	--

UNLESS OTHERWISE SPECIFIED DIMENSIONS ARE IN INCHES. TOLERANCES ARE:  
 ONE PLACE MM  $\pm$ 0.50  
 TWO PLACE MM  $\pm$ 0.25  
 TWO PLACE DEC.  $\pm$ 0.020  
 THREE PLACE DEC.  $\pm$ 0.010  
 ANGLES 1°  
 TEMPERATURE  $\pm$ 5°C  
 VOLTAGE  $\pm$ 5%  
 AMPERAGE  $\pm$ 5%  
 RESISTANCE  $\pm$ 5%  
 \* STATISTICAL DIMENSION  
 NO. OF SAMPLES [ 2 ]

CAD GENERATED DRAWING, DO NOT MANUALLY UPDATE.  
 APPROVALS DATE  
 DRAWN BY: DB 10/04/2001  
 CHECKED BY:  
 ENGINEERING  
 TOOLING REF. T20-000-5  
 PRODUCT GROUP 2000 SERIES

2000 SERIES  
 5KV POWER TRANSFORMER BUSHING  
 SIZE A DWG. NO. 20-000-500 REV. 0  
 SCALE: 1:5 CAD FILE: 2000 SERIES SHEET 1 OF 1

8 7 6 5 4 3 2 1