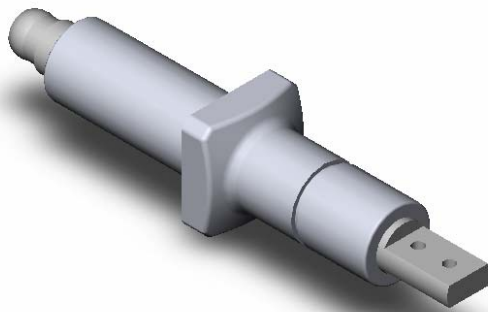
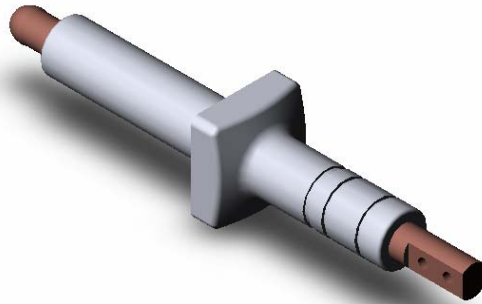


1600 Series Circuit Breaker Bushings

GE Magneblast
Replacement and Conversion Units
1200 and 2000 Amp
15 kV, 95 kV BIL



AM-7.2/15 – 2000 Amp



AM 7.2/15 kV – 1200 Amp

Use:

1600 Series GE Magneblast Circuit Breaker Bushings are designed for use in new, replacement and retrofit Circuit Breaker applications.

Construction:

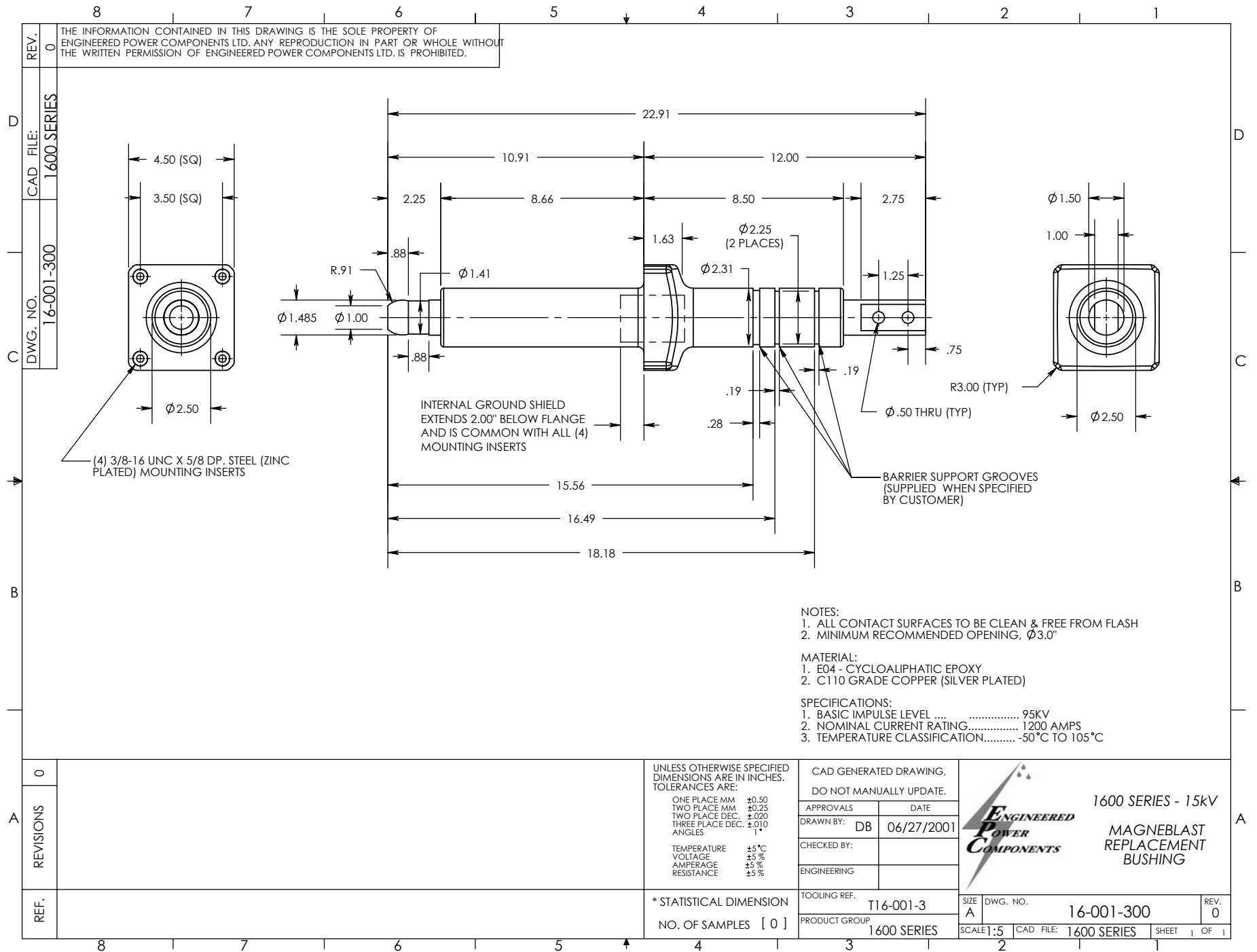
1600 Series Secondary Bushings are constructed of tin or silver plated C110 electrolytic copper conductors for maximum conductivity. Insulation is cast Cycloaliphatic Epoxy. The bushings contain an integrally cast in ground shield to control distribution of the electrical field. The design is a one piece assembly eliminating all interfaces, offering very stable power factor and exceptional partial discharge characteristics.

Custom Options:

1600 Series Secondary Bushings are easily customized for non-standard applications. Bushing shank lengths and custom copper configurations can be provided to customer specifications. Designs are available for most original manufacturer's equipment. Consult the factory for any custom versions.

Engineered Power Components Ltd.
Unit E – 10 Keenleyside St.
Winnipeg, Manitoba, Canada
R2L 2B9

Phone: (204) 663-4195
Fax: (204) 663-5256
Toll Free: 1-888-416-8111
Email: sales@epclimited.com
Website: www.epclimited.com



REV. 0
 THE INFORMATION CONTAINED IN THIS DRAWING IS THE SOLE PROPERTY OF ENGINEERED POWER COMPONENTS LTD. ANY REPRODUCTION IN PART OR WHOLE WITHOUT THE WRITTEN PERMISSION OF ENGINEERED POWER COMPONENTS LTD. IS PROHIBITED.

CAD FILE: 1600 SERIES
 DWG. NO. 16-001-300

(4) 3/8-16 UNC X 5/8 DP. STEEL (ZINC PLATED) MOUNTING INSERTS


INTERNAL GROUND SHIELD EXTENDS 2.00' BELOW FLANGE AND IS COMMON WITH ALL (4) MOUNTING INSERTS

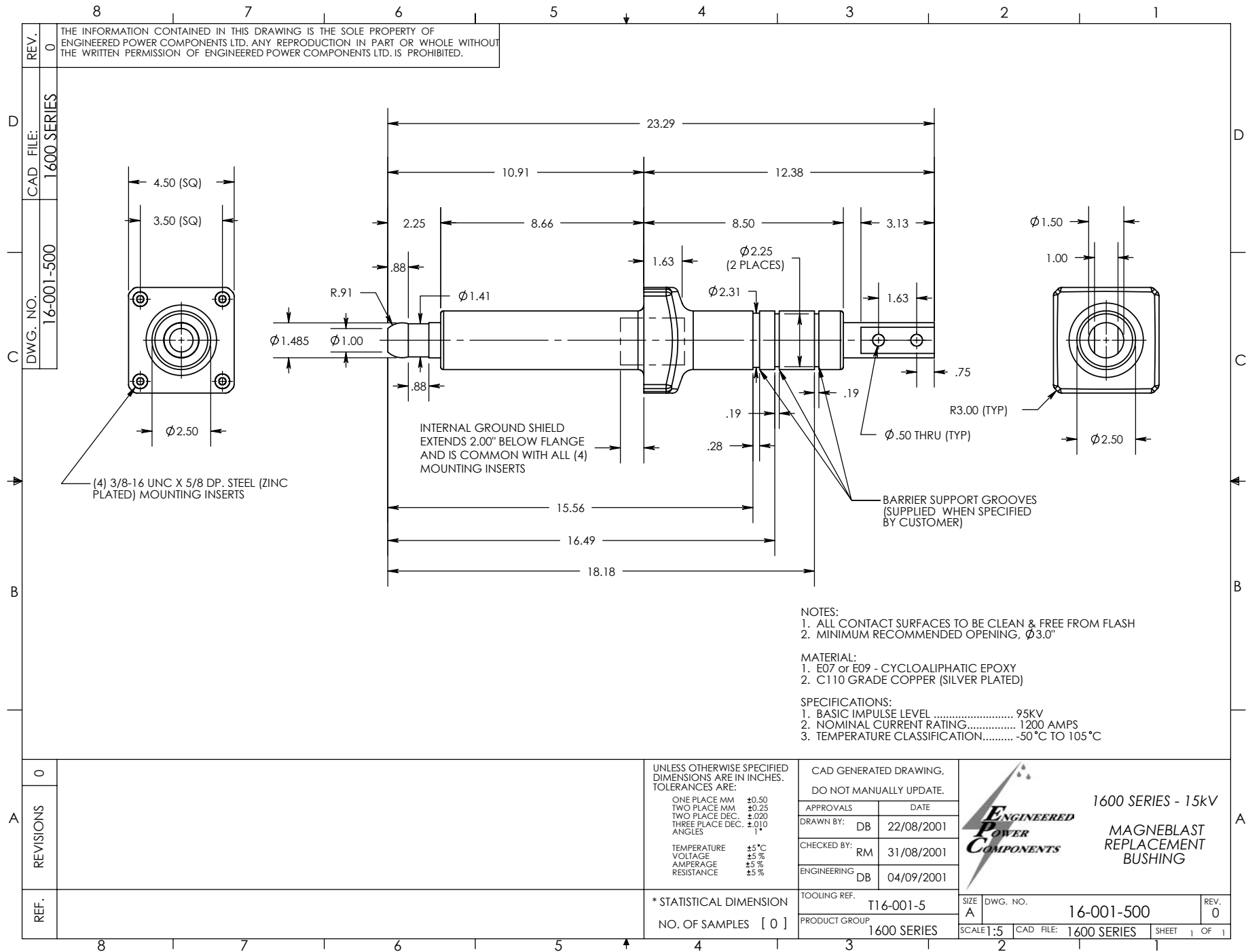
BARRIER SUPPORT GROOVES (SUPPLIED WHEN SPECIFIED BY CUSTOMER)

- NOTES:
 1. ALL CONTACT SURFACES TO BE CLEAN & FREE FROM FLASH
 2. MINIMUM RECOMMENDED OPENING, Ø3.0"

- MATERIAL:
 1. E04 - CYCLOALIPHATIC EPOXY
 2. C110 GRADE COPPER (SILVER PLATED)

- SPECIFICATIONS:
 1. BASIC IMPULSE LEVEL 95KV
 2. NOMINAL CURRENT RATING..... 1200 AMPS
 3. TEMPERATURE CLASSIFICATION..... -50°C TO 105°C

A	REVISIONS	0	UNLESS OTHERWISE SPECIFIED DIMENSIONS ARE IN INCHES. TOLERANCES ARE: ONE PLACE MM ±0.50 TWO PLACE MM ±0.25 TWO PLACE DEC. ±0.020 THREE PLACE DEC. ±0.010 ANGLES 1° TEMPERATURE ±5°C VOLTAGE ±5% AMPERAGE ±5% RESISTANCE ±5%	CAD GENERATED DRAWING, DO NOT MANUALLY UPDATE. APPROVALS _____ DATE _____ DRAWN BY: DB 06/27/2001 CHECKED BY: _____ ENGINEERING _____	 1600 SERIES - 15KV MAGNEBLAST REPLACEMENT BUSHING
	REF.				



REV. 0 THE INFORMATION CONTAINED IN THIS DRAWING IS THE SOLE PROPERTY OF ENGINEERED POWER COMPONENTS LTD. ANY REPRODUCTION IN PART OR WHOLE WITHOUT THE WRITTEN PERMISSION OF ENGINEERED POWER COMPONENTS LTD. IS PROHIBITED.

CAD FILE: 1600 SERIES
 DWG. NO. 16-001-500

NOTES:
 1. ALL CONTACT SURFACES TO BE CLEAN & FREE FROM FLASH
 2. MINIMUM RECOMMENDED OPENING, $\phi 3.0"$

MATERIAL:
 1. E07 or E09 - CYCLOALIPHATIC EPOXY
 2. C110 GRADE COPPER (SILVER PLATED)

SPECIFICATIONS:
 1. BASIC IMPULSE LEVEL..... 95KV
 2. NOMINAL CURRENT RATING..... 1200 AMPS
 3. TEMPERATURE CLASSIFICATION..... -50°C TO 105°C

REVISIONS	0
REF.	

UNLESS OTHERWISE SPECIFIED DIMENSIONS ARE IN INCHES. TOLERANCES ARE:
 ONE PLACE MM ± 0.50
 TWO PLACE MM ± 0.25
 TWO PLACE DEC. ± 0.020
 THREE PLACE DEC. ± 0.010
 ANGLES 1°
 TEMPERATURE $\pm 5^\circ\text{C}$
 VOLTAGE $\pm 5\%$
 AMPERAGE $\pm 5\%$
 RESISTANCE $\pm 5\%$

CAD GENERATED DRAWING, DO NOT MANUALLY UPDATE.	
APPROVALS	DATE
DRAWN BY: DB	22/08/2001
CHECKED BY: RM	31/08/2001
ENGINEERING: DB	04/09/2001
TOOLING REF.	T16-001-5
PRODUCT GROUP	1600 SERIES

ENGINEERED POWER COMPONENTS

1600 SERIES - 15kV
MAGNEBLAST REPLACEMENT BUSHING

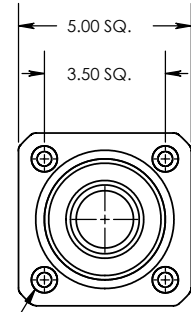
SIZE A	DWG. NO. 16-001-500	REV. 0
SCALE: 1:5	CAD FILE: 1600 SERIES	SHEET 1 OF 1

* STATISTICAL DIMENSION
 NO. OF SAMPLES [0]

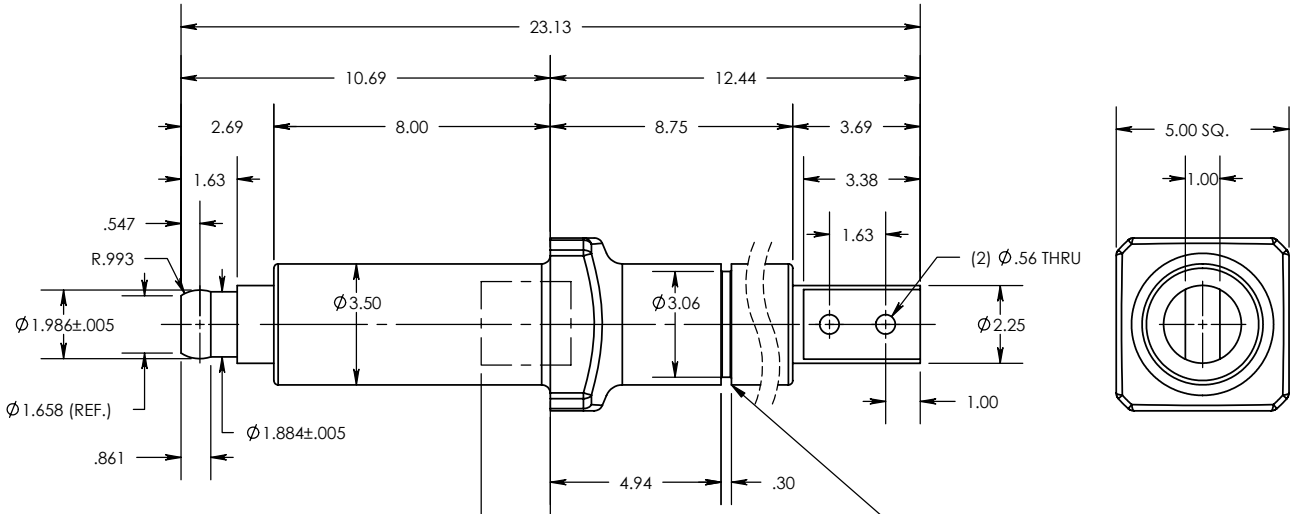
8 7 6 5 4 3 2 1

REV. 2
 THE INFORMATION CONTAINED IN THIS DRAWING IS THE SOLE PROPERTY OF ENGINEERED POWER COMPONENTS LTD. ANY REPRODUCTION IN PART OR WHOLE WITHOUT THE WRITTEN PERMISSION OF ENGINEERED POWER COMPONENTS LTD. IS PROHIBITED.

CAD FILE: 1600 SERIES
 DWG. NO. 16-001-000



(4) 1/2-13 UNC X .75 DP STEEL (ZINC PLATED) MOUNTING INSERTS.



INTERNAL GROUND SHIELD EXTENDS 2.0" BELOW FLANGE AND IS COMMON WITH (4) STEEL MOUNTING INSERTS.

BARRIER SUPPORT GROOVE (SUPPLIED WHEN SPECIFIED BY CUSTOMER)

NOTES:
 1. ALL CONTACT SURFACES TO BE CLEAN & FREE FROM FLASH

MATERIAL:
 1. E09 - CYCLOALIPHATIC EPOXY
 2. C110 GRADE COPPER (SILVER PLATED)

SPECIFICATIONS:
 1. NOMINAL VOLTAGE CLASS 7.2/15kV
 2. NOMINAL CURRENT RATING..... 2000 AMPS
 3. TEMPERATURE CLASSIFICATION..... -5°C INDOOR

REVISIONS	0	1	2
CHANGED VOLTAGE CLASS FROM 7.2/15KV TO 7.2/15KV AND ADDED NOTE TO BARRIER SUPPORT GROOVE.			
RM 13/11/2000 DR 13/11/2000			
E09 EPOXY WAS E04 RM 15/05/2003 DR 15/05/2003			

UNLESS OTHERWISE SPECIFIED DIMENSIONS ARE IN INCHES. TOLERANCES ARE:
 ONE PLACE MM ±0.50
 TWO PLACE MM ±0.25
 TWO PLACE DEC. ±0.020
 THREE PLACE DEC. ±0.010
 ANGLES 1°
 TEMPERATURE ±5°C
 VOLTAGE ±5%
 AMPERAGE ±5%
 RESISTANCE ±5%

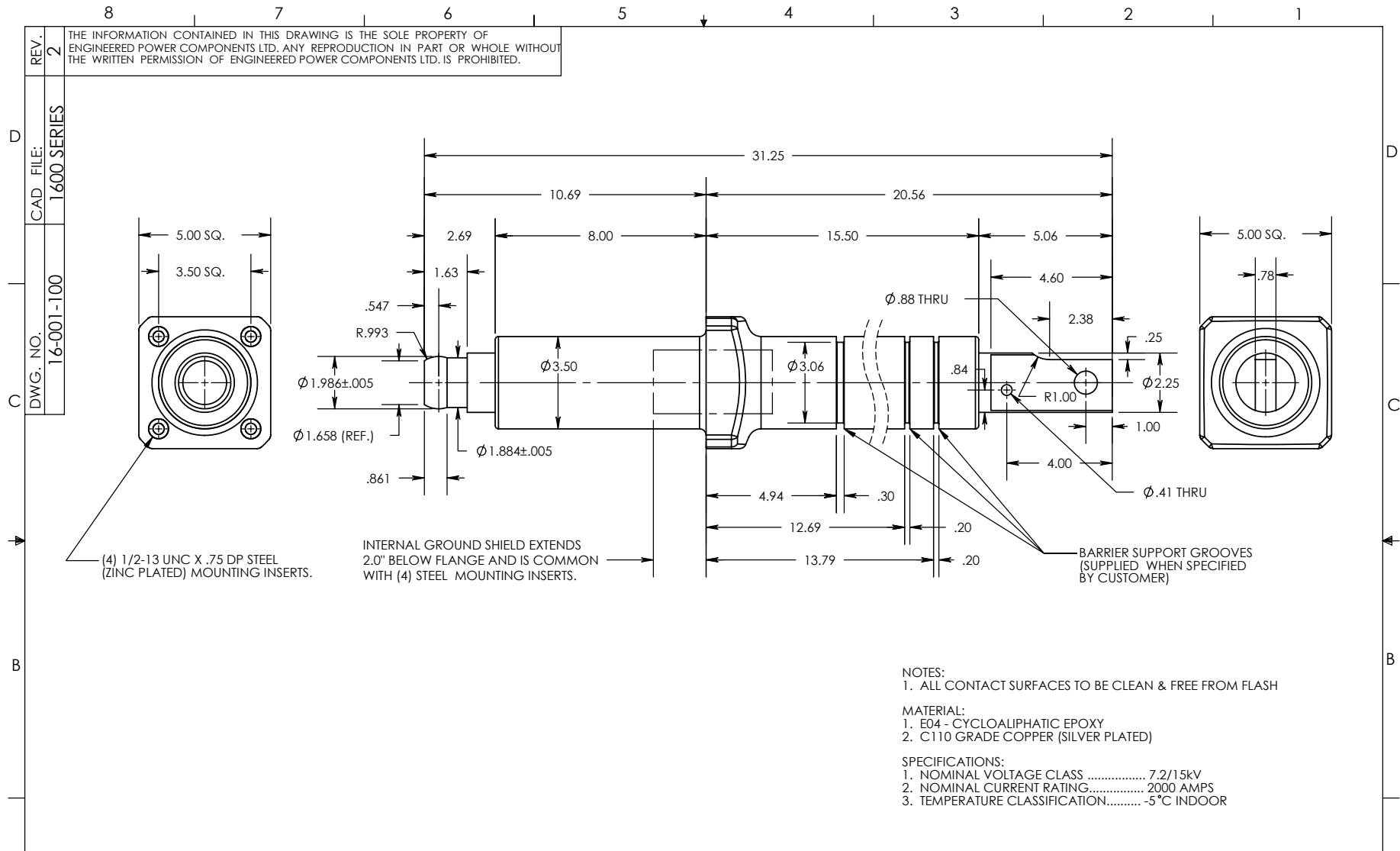
CAD GENERATED DRAWING, DO NOT MANUALLY UPDATE.

APPROVALS	DATE
DRAWN BY: DB	02/10/2000
CHECKED BY: RM	02/10/2000
ENGINEERING DB	02/10/2000

G.E. MAGNEBLAST REPLACEMENT BUSHING
 TYPE: AM-7.2/15-500-5H (Short Version)
 7.2kV & 15kV / 2000A

REF.	* STATISTICAL DIMENSION NO. OF SAMPLES [0]	TOOLING REF. T16-001-0	SIZE A	DWG. NO. 16-001-000	REV. 2
		PRODUCT GROUP 1600 SERIES	SCALE 1:5	CAD FILE: 1600 SERIES	SHEET 1 OF 1


8 7 6 5 4 3 2 1



NOTES:
 1. ALL CONTACT SURFACES TO BE CLEAN & FREE FROM FLASH

MATERIAL:
 1. E04 - CYCLOALIPHATIC EPOXY
 2. C110 GRADE COPPER (SILVER PLATED)

SPECIFICATIONS:
 1. NOMINAL VOLTAGE CLASS 7.2/15kV
 2. NOMINAL CURRENT RATING..... 2000 AMPS
 3. TEMPERATURE CLASSIFICATION..... -5°C INDOOR

REV.	THE INFORMATION CONTAINED IN THIS DRAWING IS THE SOLE PROPERTY OF ENGINEERED POWER COMPONENTS LTD. ANY REPRODUCTION IN PART OR WHOLE WITHOUT THE WRITTEN PERMISSION OF ENGINEERED POWER COMPONENTS LTD. IS PROHIBITED.			UNLESS OTHERWISE SPECIFIED DIMENSIONS ARE IN INCHES. TOLERANCES ARE: ONE PLACE MM ±0.50 TWO PLACE MM ±0.25 TWO PLACE DEC. ±0.020 THREE PLACE DEC. ±0.010 ANGLES 1° TEMPERATURE ±5°C VOLTAGE ±5% AMPERAGE ±5% RESISTANCE ±5%	CAD GENERATED DRAWING, DO NOT MANUALLY UPDATE.		 G.E. MAGNEBLAST REPLACEMENT BUSHING TYPE: AM-7.2/15-500-5H (Long Version) 7.2kV & 15kV / 2000A
	2	CAD FILE: 1600 SERIES			APPROVALS	DATE	
DWG. NO.	16-001-100			DRAWN BY:	DB	02/10/2000	TOOLING REF. T16-001-1 PRODUCT GROUP 1600 SERIES
REV. NO.	1600 SERIES			CHECKED BY:	RM	02/10/2000	
0	CHANGED VOLTAGE CLASS TO 7.2KV/15KV. ADDED NOTE TO BARRIER SUPPORT GROOVE.			ENGINEERING	DB	02/10/2000	SIZE A
1	RM 13/11/2000 DB 13/11/2000						DWG. NO. 16-001-100
2	E04 EPOXY WAS E04 RM 15/05/2003 DB 15/05/2003						SCALE: 5
REF.				* STATISTICAL DIMENSION NO. OF SAMPLES [0]			CAD FILE: 1600 SERIES
							SHEET 1 OF 1