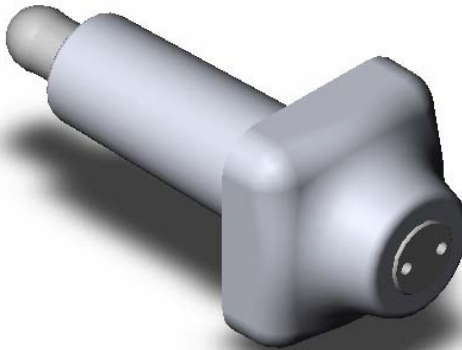


1500 Series Circuit Breaker Bushings

GE AM 4.16 / AMH 4.16
1200 and 2000 Amp
5 kV, 60 kV BIL



Use:

1500 Series Circuit Breaker Bushings are designed for use in new, replacement and retrofit Circuit Breaker applications.

Construction:

1500 Series Secondary Bushings are constructed of tin or silver plated C110 electrolytic copper conductors for maximum conductivity. Insulation is Bis-A cast epoxy for enclosed applications. Cycloaliphatic epoxy insulation is recommended for applications where a high moisture or contaminated atmosphere exists.

Custom Options:

1500 Series Secondary Bushings are easily customized for non-standard applications. Bushing shank lengths and custom copper configurations can be provided to customer specifications. Designs are available for most original manufacturer's equipment.

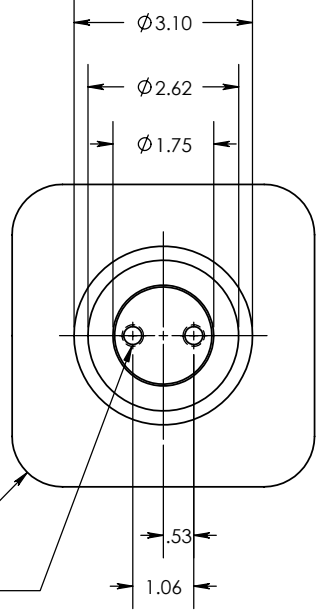
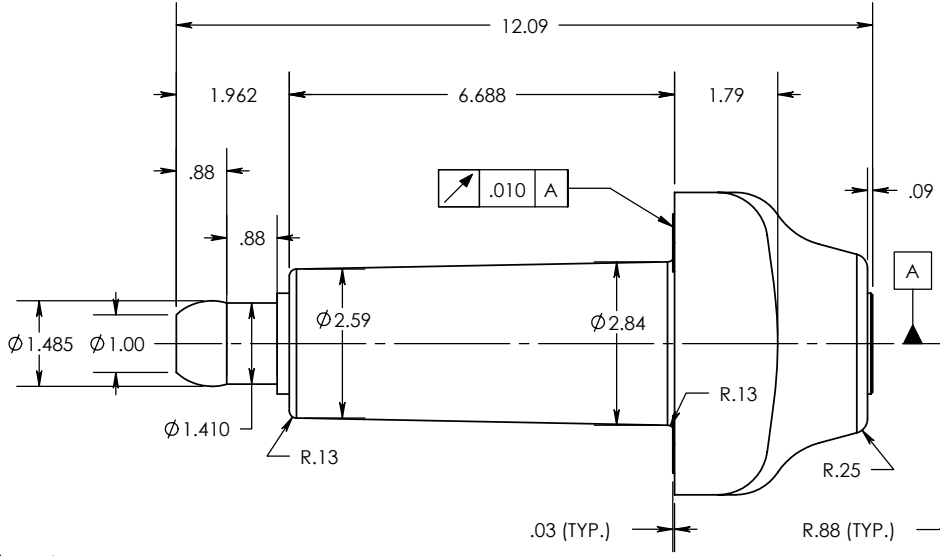
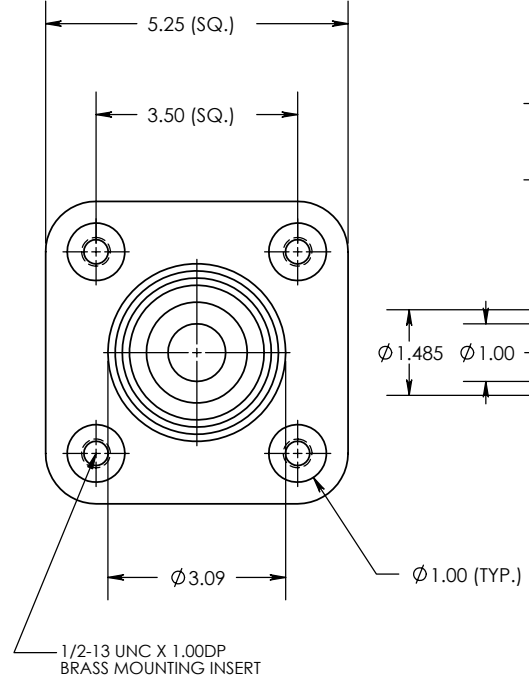
Engineered Power Components Ltd.
Unit E – 10 Keenleyside St.
Winnipeg, Manitoba, Canada
R2L 2B9

Phone: (204) 663-4195
Fax: (204) 663-5256
Toll Free: 1-888-416-8111
Email: sales@epclimited.com
Website: www.epclimited.com

8 7 6 5 4 3 2 1

REV. 0
 THE INFORMATION CONTAINED IN THIS DRAWING IS THE SOLE PROPERTY OF ENGINEERED POWER COMPONENTS LTD. ANY REPRODUCTION IN PART OR WHOLE WITHOUT THE WRITTEN PERMISSION OF ENGINEERED POWER COMPONENTS LTD. IS PROHIBITED.

CAD FILE: 1500 SERIES
 DWG. NO. 15-015-000




NOTES:
 1. ALL CONTACT SURFACES TO BE CLEAN & FREE FROM FLASH

MATERIAL:
 1. E04 - CYCLOALIPHATIC EPOXY (OUTDOOR)
 2. E06 - BISPHENOL-A EPOXY (INDOOR)
 3. HD ETP COPPER, C11000; FINISH SILVER PLATED .0005 MIN. THICKNESS

SPECIFICATIONS:
 1. RATED VOLTAGE 5kV
 2. POWER FREQUENCY WITHSTAND 19kV
 3. BASIC IMPULSE LEVEL 60KV
 4. NOMINAL CURRENT RATING 1200 AMPS
 5. LEAKAGE DISTANCE 4.25"
 6. TEMPERATURE CLASSIFICATION..... -50°C TO +105°C
 7. FINISHED WEIGHT 14.25 LBS.

A	REVISIONS	0	
	REF.		

UNLESS OTHERWISE SPECIFIED DIMENSIONS ARE IN INCHES. TOLERANCES ARE: ONE PLACE MM ±0.50 TWO PLACE MM ±0.25 TWO PLACE DEC. ±0.020 THREE PLACE DEC. ±0.010 ANGLES 1°	
TEMPERATURE ±5°C VOLTAGE ±5% AMPERAGE ±5% RESISTANCE ±5%	
* STATISTICAL DIMENSION NO. OF SAMPLES [0]	

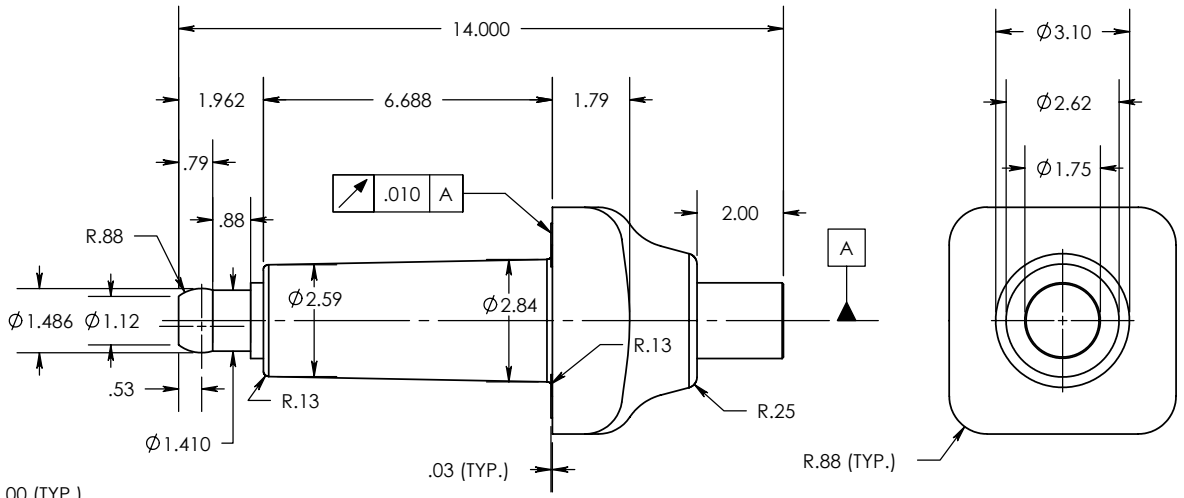
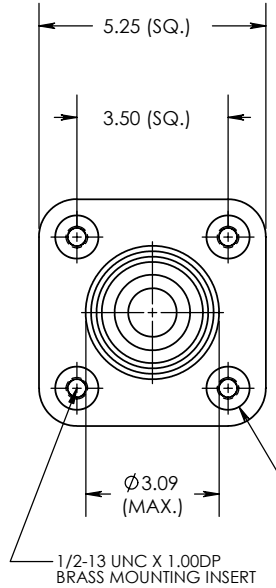
CAD GENERATED DRAWING, DO NOT MANUALLY UPDATE.			5kV, 1200A SWITCHGEAR BUSHING	
APPROVALS	DATE		SIZE	DWG. NO.
DRAWN BY: DB	17/07/2001	A	15-015-000	
CHECKED BY: RM	17/07/2001	SCALE	CAD FILE: 1500 SERIES	
ENGINEERING	DB 17/07/2001	1:3	SHEET 1 OF 1	
TOOLING REF.	T15-015		REV. 0	
PRODUCT GROUP	1500 SERIES			

8 7 6 5 4 3 2 1

8 7 6 5 4 3 2 1

REV. 3
 THE INFORMATION CONTAINED IN THIS DRAWING IS THE SOLE PROPERTY OF ENGINEERED POWER COMPONENTS LTD. ANY REPRODUCTION IN PART OR WHOLE WITHOUT THE WRITTEN PERMISSION OF ENGINEERED POWER COMPONENTS LTD. IS PROHIBITED.

CAD FILE: 1500 SERIES
 DWG. NO. 15-015-001



B

NOTES:
 1. ALL CONTACT SURFACES TO BE CLEAN & FREE FROM FLASH

MATERIAL:
 1. E09 - CYCLOALIPHATIC EPOXY (OUTDOOR)
 2. E06 - BISPHENOL-A EPOXY (INDOOR)
 3. HD ETP COPPER, C11000; FINISH SILVER PLATED .0005 MIN. THICKNESS

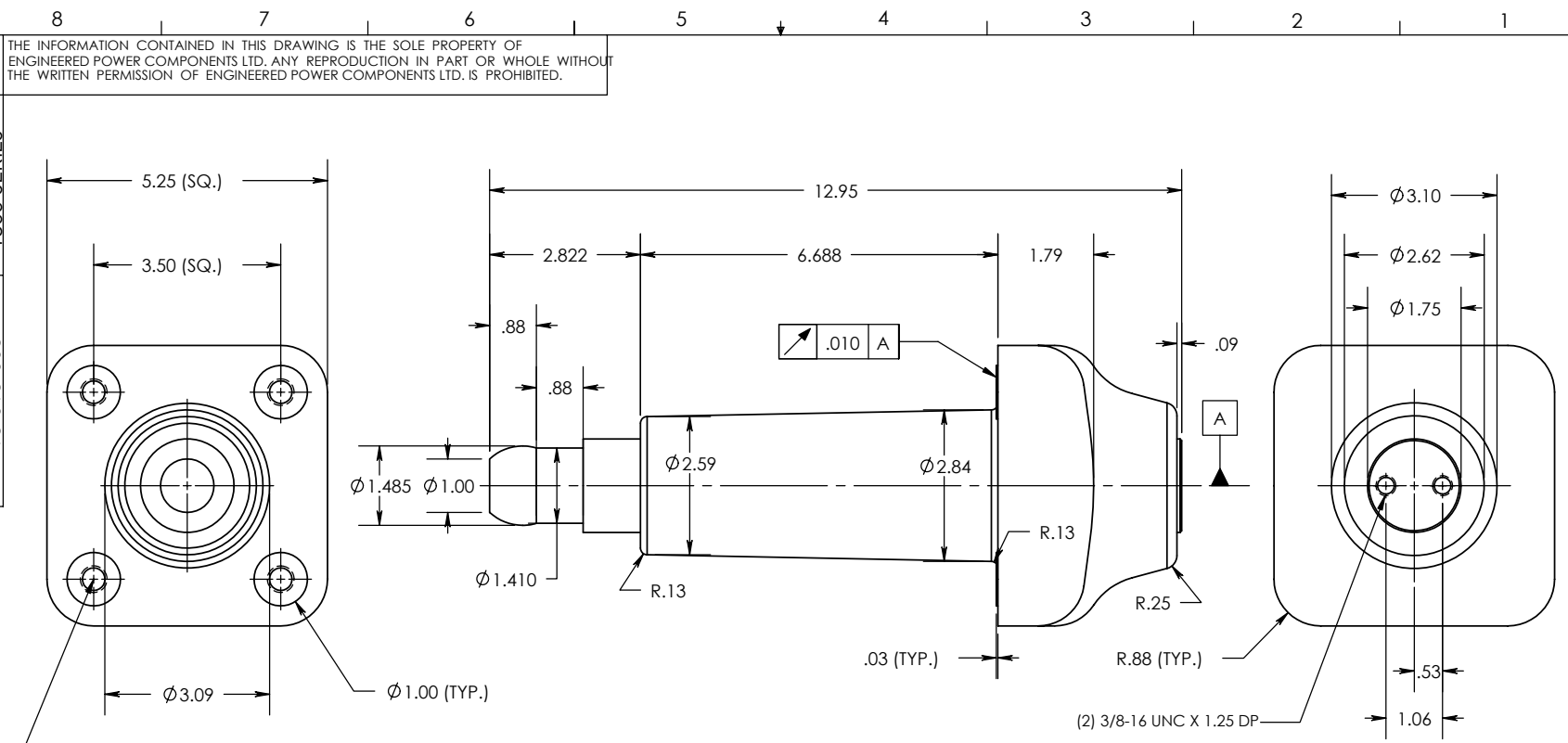
SPECIFICATIONS:
 1. RATED VOLTAGE 5kV
 2. POWER FREQUENCY WITHSTAND 19kV
 3. BASIC IMPULSE LEVEL 60KV
 4. NOMINAL CURRENT RATING 1200 AMPS
 5. LEAKAGE DISTANCE 4.25"
 6. TEMPERATURE CLASSIFICATION..... -50 °C TO +105 °C
 7. FINISHED WEIGHT 15.7 LBS.

REF.	REVISIONS	0	1	2	3
			DIM. .79 WAS .88 RM 16/10/2002 DB 16/10/2002	E07 WAS E04 RM 10/01/2003 DB 10/01/2003	E09 WAS E07 RM 21/05/2003 DB 2/05/2003

UNLESS OTHERWISE SPECIFIED DIMENSIONS ARE IN INCHES. TOLERANCES ARE: ONE PLACE MM ±0.50 TWO PLACE DEC. ±0.25 TWO PLACE DEC. ±0.20 THREE PLACE DEC. ±0.10 ANGLES 1° TEMPERATURE ±5 °C VOLTAGE ±5 % AMPERAGE ±5 % RESISTANCE ±5 %	CAD GENERATED DRAWING, DO NOT MANUALLY UPDATE.
	APPROVALS DATE
	DRAWN BY: DB 05/10/2001
	CHECKED BY: RM 10/10/2001
	ENGINEERING DB 10/10/2001
	TOOLING REF. T15-015-0
	PRODUCT GROUP 1500 SERIES

	5kV, 1200A SWITCHGEAR BUSHING	
	SIZE A	DWG. NO. 15-015-001
SCALE: 4	CAD FILE: 1500 SERIES	SHEET 1 OF 1

8 7 6 5 4 3 2 1



1/2-13 UNC X 1.00DP
BRASS MOUNTING INSERT

- NOTES:
1. ALL CONTACT SURFACES TO BE CLEAN & FREE FROM FLASH
- MATERIAL:
1. E04 - CYCLOALIPHATIC EPOXY (OUTDOOR)
2. E06 - BISPHENOL-A EPOXY (INDOOR)
3. HD ETP COPPER, C11000; FINISH SILVER PLATED .0005 MIN. THICKNESS
- SPECIFICATIONS:
1. RATED VOLTAGE 5kV
2. POWER FREQUENCY WITHSTAND 19kV
3. BASIC IMPULSE LEVEL 60KV
4. NOMINAL CURRENT RATING 1200 AMPS
5. LEAKAGE DISTANCE 4.25"
6. TEMPERATURE CLASSIFICATION..... -50°C TO +105°C
7. FINISHED WEIGHT 15 LBS.

REV.	0
DWG. NO.	15-015-003
CAD FILE:	1500 SERIES

THE INFORMATION CONTAINED IN THIS DRAWING IS THE SOLE PROPERTY OF ENGINEERED POWER COMPONENTS LTD. ANY REPRODUCTION IN PART OR WHOLE WITHOUT THE WRITTEN PERMISSION OF ENGINEERED POWER COMPONENTS LTD. IS PROHIBITED.

REVISIONS	0	
REF.		

UNLESS OTHERWISE SPECIFIED DIMENSIONS ARE IN INCHES. TOLERANCES ARE:
 ONE PLACE MM ±0.50
 TWO PLACE MM ±0.25
 TWO PLACE DEC. ±0.020
 THREE PLACE DEC. ±0.010
 ANGLES 1°
 TEMPERATURE ±5°C
 VOLTAGE ±5%
 AMPERAGE ±5%
 RESISTANCE ±5%

CAD GENERATED DRAWING, DO NOT MANUALLY UPDATE.	
APPROVALS	DATE
DRAWN BY: DB	23/05/2002
CHECKED BY: RM	23/05/2002
ENGINEERING	DB 23/05/2002

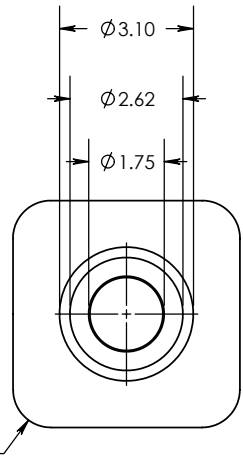
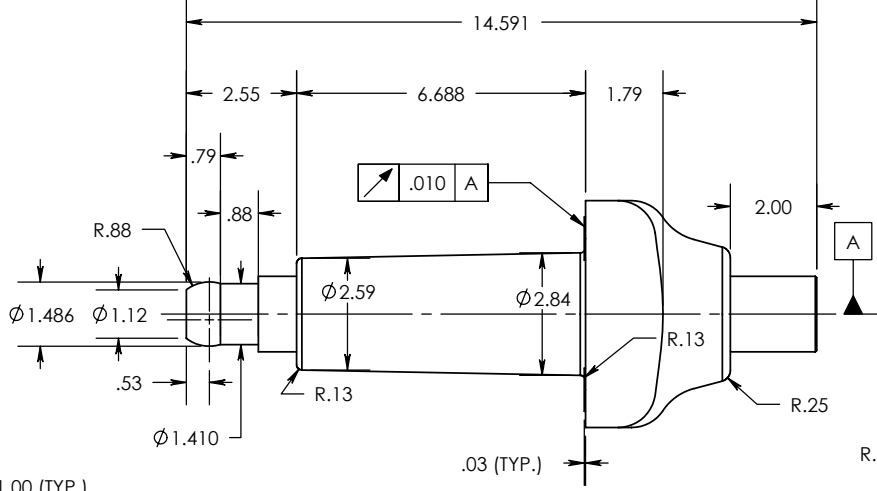
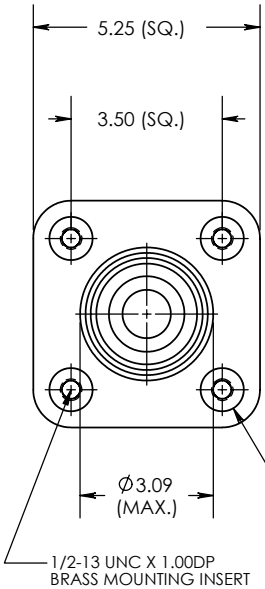
5kV, 1200A
SWITCHGEAR
BUSHING

* STATISTICAL DIMENSION NO. OF SAMPLES [0]	TOOLING REF. T15-015	SIZE A	DWG. NO. 15-015-003	REV. 0
	PRODUCT GROUP 1500 SERIES	SCALE: 3	CAD FILE: 1500 SERIES	SHEET 1 OF 1

8 7 6 5 4 3 2 1

REV. 0
 THE INFORMATION CONTAINED IN THIS DRAWING IS THE SOLE PROPERTY OF ENGINEERED POWER COMPONENTS LTD. ANY REPRODUCTION IN PART OR WHOLE WITHOUT THE WRITTEN PERMISSION OF ENGINEERED POWER COMPONENTS LTD. IS PROHIBITED.

CAD FILE: 1500 SERIES
 DWG. NO. 15-015-004




NOTES:
 1. ALL CONTACT SURFACES TO BE CLEAN & FREE FROM FLASH

MATERIAL:
 1. E07 - CYCLOALIPHATIC EPOXY (OUTDOOR)
 2. E06 - BISPHENOL-A EPOXY (INDOOR)
 3. HD ETP COPPER, C11000; FINISH SILVER PLATED .0005 MIN. THICKNESS

SPECIFICATIONS:
 1. RATED VOLTAGE 5kV
 2. POWER FREQUENCY WITHSTAND 19kV
 3. BASIC IMPULSE LEVEL 60KV
 4. NOMINAL CURRENT RATING 1200 AMPS
 5. LEAKAGE DISTANCE 4.25"
 6. TEMPERATURE CLASSIFICATION..... -50 °C TO +105 °C
 7. FINISHED WEIGHT 16.5 LBS.

A	REVISIONS	0
	REF.	

UNLESS OTHERWISE SPECIFIED DIMENSIONS ARE IN INCHES. TOLERANCES ARE:	
ONE PLACE MM	±0.50
TWO PLACE MM	±0.25
TWO PLACE DEC.	±0.020
THREE PLACE DEC.	±0.010
ANGLES	1°
TEMPERATURE	±5 °C
VOLTAGE	±5 %
AMPERAGE	±5 %
RESISTANCE	±5 %
* STATISTICAL DIMENSION NO. OF SAMPLES [0]	

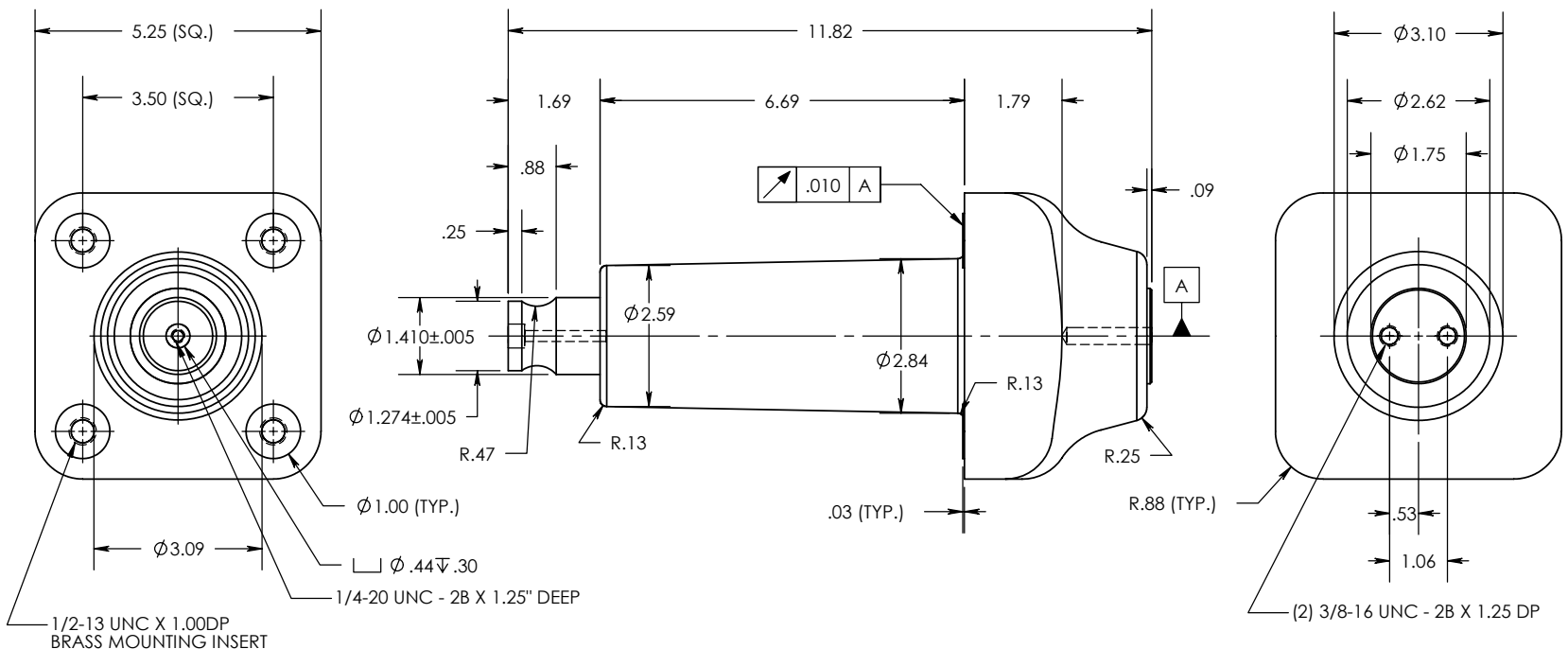
CAD GENERATED DRAWING, DO NOT MANUALLY UPDATE.			5KV, 1200A	
APPROVALS	DATE		SWITCHGEAR BUSHING	
DRAWN BY: DB	14/02/2003			
CHECKED BY: RM	14/02/2003			
ENGINEERING	DB	14/02/2003		
TOOLING REF.	T15-015-0	SIZE A	DWG. NO. 15-015-004	REV. 0
PRODUCT GROUP	1500 SERIES	SCALE: 4	CAD FILE: 1500 SERIES	SHEET 1 OF 1

8 7 6 5 4 3 2 1

8 7 6 5 4 3 2 1

REV. 0
 THE INFORMATION CONTAINED IN THIS DRAWING IS THE SOLE PROPERTY OF ENGINEERED POWER COMPONENTS LTD. ANY REPRODUCTION IN PART OR WHOLE WITHOUT THE WRITTEN PERMISSION OF ENGINEERED POWER COMPONENTS LTD. IS PROHIBITED.


CAD FILE: 1500 SERIES
 DWG. NO. 15-015-005



NOTES:
 1. ALL CONTACT SURFACES TO BE CLEAN & FREE FROM FLASH

MATERIAL:
 1. E09 - CYCLOALIPHATIC EPOXY (OUTDOOR)
 2. E06 - BISPHENOL-A EPOXY (INDOOR)
 3. HD ETP COPPER, C11000; FINISH SILVER PLATED .0005 MIN. THICKNESS

SPECIFICATIONS:
 1. RATED VOLTAGE 5kV
 2. POWER FREQUENCY WITHSTAND 19kV
 3. BASIC IMPULSE LEVEL 60KV
 4. NOMINAL CURRENT RATING 1200 AMPS
 5. LEAKAGE DISTANCE 4.25"
 6. TEMPERATURE CLASSIFICATION..... -50°C TO +105°C
 7. FINISHED WEIGHT 14.25 LBS.

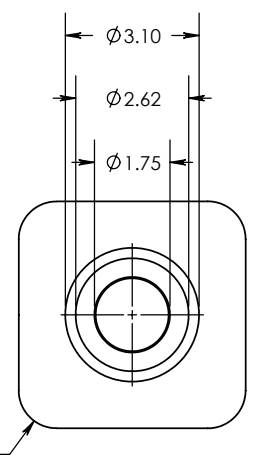
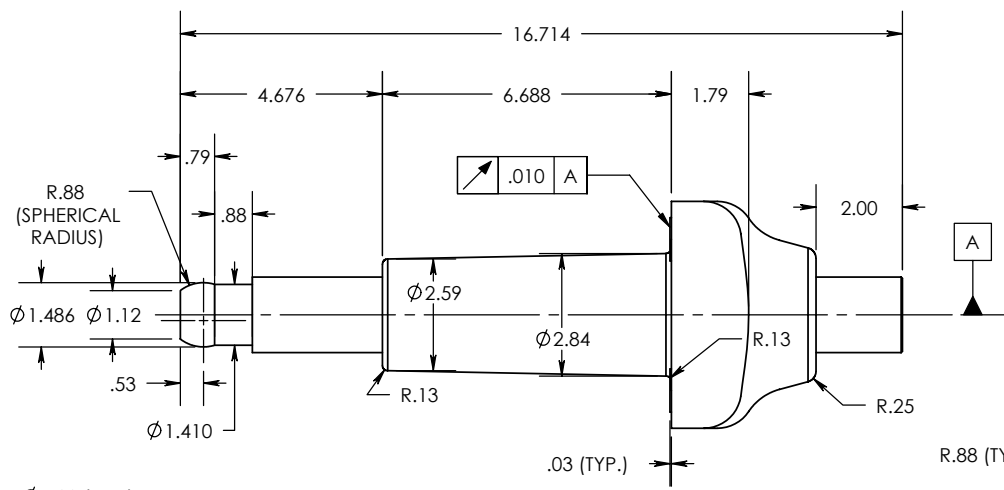
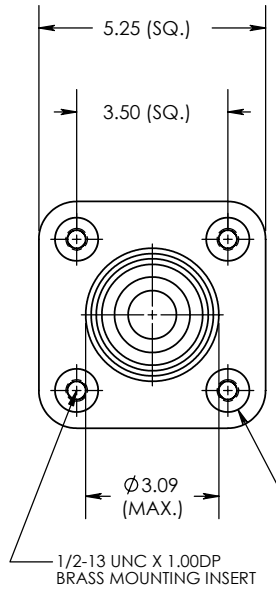
A	REVISIONS	0	UNLESS OTHERWISE SPECIFIED DIMENSIONS ARE IN INCHES. TOLERANCES ARE: ONE PLACE MM ± 0.50 TWO PLACE MM ± 0.25 TWO PLACE DEC. ± 0.020 THREE PLACE DEC. ± 0.010 ANGLES 1° TEMPERATURE $\pm 5^\circ\text{C}$ VOLTAGE $\pm 5\%$ AMPERAGE $\pm 5\%$ RESISTANCE $\pm 5\%$	CAD GENERATED DRAWING, DO NOT MANUALLY UPDATE. APPROVALS: _____ DATE: _____ DRAWN BY: DB 14/05/2003 CHECKED BY: RM 15/05/2003 ENGINEERING: DB 15/05/2003 TOOLING REF. T15-015-0 PRODUCT GROUP 1500 SERIES	 5kV, 1200A SWITCHGEAR BUSHING	REV. 0
	REF.	* STATISTICAL DIMENSION NO. OF SAMPLES [0]				SIZE A DWG. NO. 15-015-005 SCALE: 3 CAD FILE: 1500 SERIES

8 7 6 5 4 3 2 1

8 7 6 5 4 3 2 1

REV. 0
 THE INFORMATION CONTAINED IN THIS DRAWING IS THE SOLE PROPERTY OF ENGINEERED POWER COMPONENTS LTD. ANY REPRODUCTION IN PART OR WHOLE WITHOUT THE WRITTEN PERMISSION OF ENGINEERED POWER COMPONENTS LTD. IS PROHIBITED.


CAD FILE: 1500 SERIES
 DWG. NO. 15-015-006



NOTES:
 1. ALL CONTACT SURFACES TO BE CLEAN & FREE FROM FLASH

MATERIAL:
 1. E09 - CYCLOALIPHATIC EPOXY (OUTDOOR)
 2. E06 - BISPHENOL-A EPOXY (INDOOR)
 3. HD ETP COPPER, C11000; FINISH SILVER PLATED .0005 MIN. THICKNESS

SPECIFICATIONS:
 1. RATED VOLTAGE 5kV
 2. POWER FREQUENCY WITHSTAND 19kV
 3. BASIC IMPULSE LEVEL 60kV
 4. NOMINAL CURRENT RATING 1200 AMPS
 5. LEAKAGE DISTANCE 4.25"
 6. TEMPERATURE CLASSIFICATION..... -50°C TO +105°C
 7. FINISHED WEIGHT 15.7 LBS.

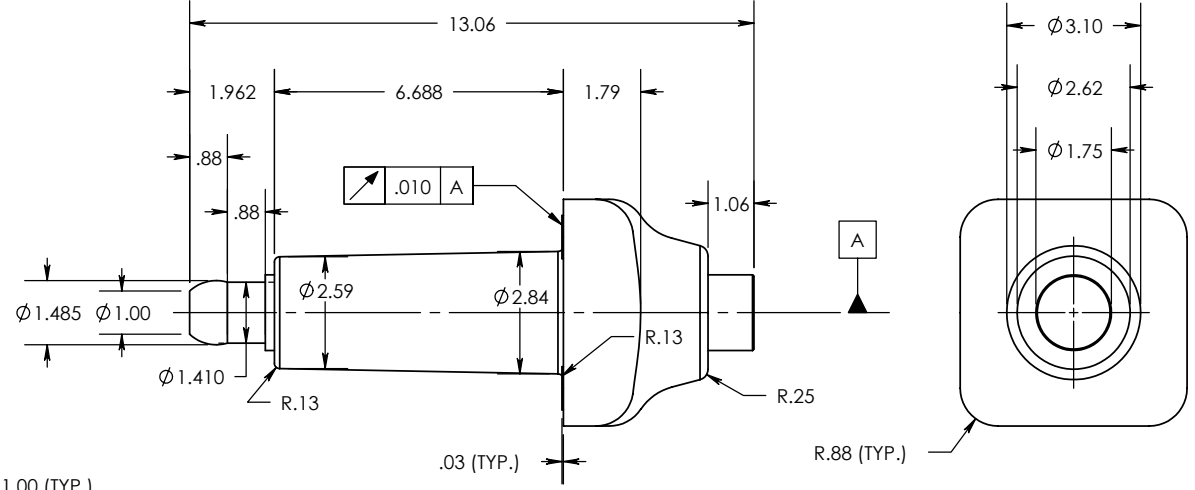
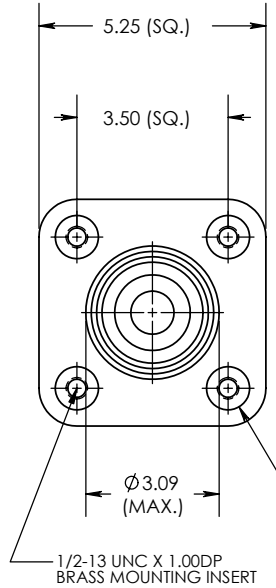
A	REVISIONS	0	UNLESS OTHERWISE SPECIFIED DIMENSIONS ARE IN INCHES. TOLERANCES ARE: ONE PLACE MM ±0.50 TWO PLACE MM ±0.25 TWO PLACE DEC. ±0.020 THREE PLACE DEC. ±0.010 ANGLES 1° TEMPERATURE ±5°C VOLTAGE ±5% AMPERAGE ±5% RESISTANCE ±5%	CAD GENERATED DRAWING, DO NOT MANUALLY UPDATE. APPROVALS DATE DRAWN BY: DB 15/08/2003 CHECKED BY: RM 15/08/2003 ENGINEERING DB 15/08/2003	 5kV, 1200A SWITCHGEAR BUSHING
	REF.	0			

8 7 6 5 4 3 2 1

8 7 6 5 4 3 2 1

REV. 0
 THE INFORMATION CONTAINED IN THIS DRAWING IS THE SOLE PROPERTY OF ENGINEERED POWER COMPONENTS LTD. ANY REPRODUCTION IN PART OR WHOLE WITHOUT THE WRITTEN PERMISSION OF ENGINEERED POWER COMPONENTS LTD. IS PROHIBITED.

CAD FILE: 1500 SERIES
 DWG. NO. 15-015-300




NOTES:
 1. ALL CONTACT SURFACES TO BE CLEAN & FREE FROM FLASH

MATERIAL:
 1. E04 - CYCLOALIPHATIC EPOXY (OUTDOOR)
 2. E06 - BISPHENOL-A EPOXY (INDOOR)
 3. HD ETP COPPER, C11000; FINISH SILVER PLATED .0005 MIN. THICKNESS

SPECIFICATIONS:
 1. RATED VOLTAGE 5kV
 2. POWER FREQUENCY WITHSTAND 19kV
 3. BASIC IMPULSE LEVEL 60KV
 4. NOMINAL CURRENT RATING 1200 AMPS
 5. LEAKAGE DISTANCE 4.25"
 6. TEMPERATURE CLASSIFICATION..... -50°C TO +105°C
 7. FINISHED WEIGHT 14.7 LBS.

A	REVISIONS	0	
	REF.		

UNLESS OTHERWISE SPECIFIED DIMENSIONS ARE IN INCHES. TOLERANCES ARE: ONE PLACE MM ±0.50 TWO PLACE MM ±0.25 TWO PLACE DEC. ±0.020 THREE PLACE DEC. ±0.010 ANGLES 1°	
TEMPERATURE ±5°C VOLTAGE ±5% AMPERAGE ±5% RESISTANCE ±5%	
* STATISTICAL DIMENSION NO. OF SAMPLES [0]	

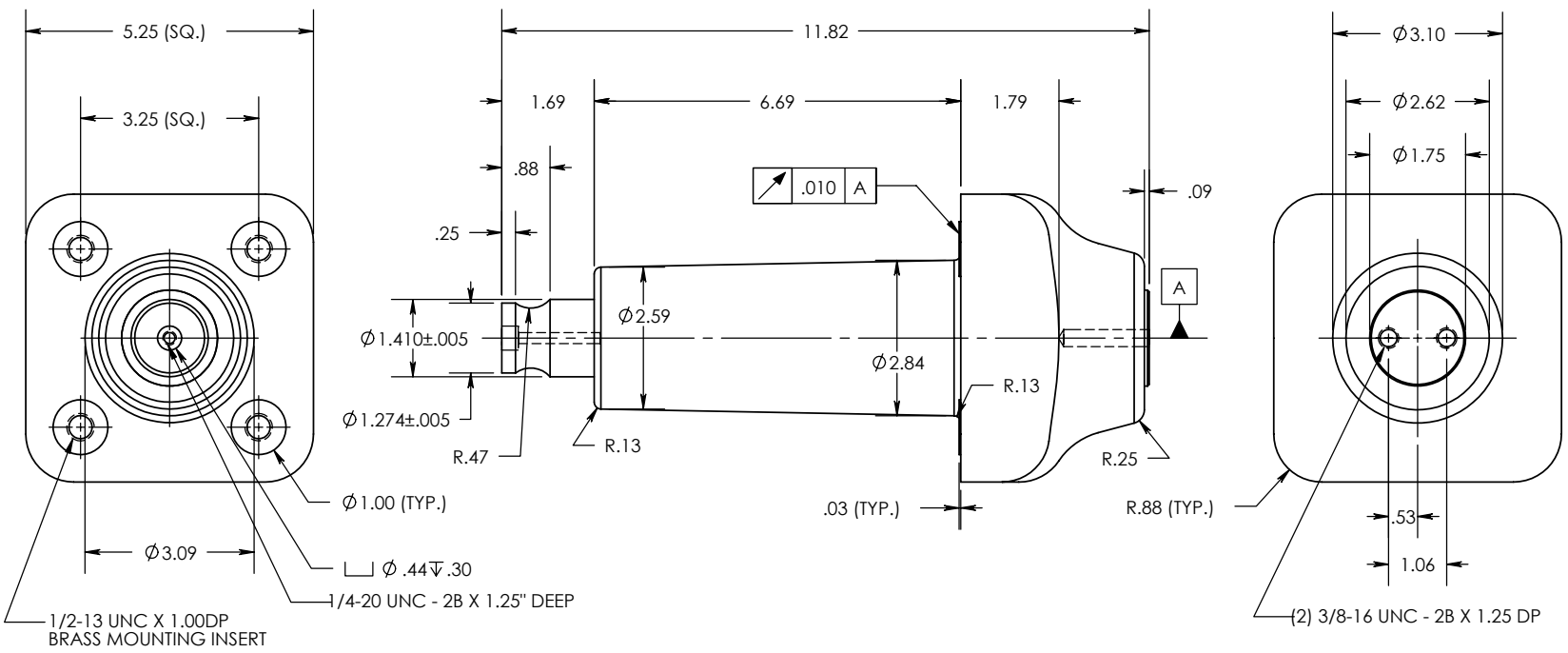
CAD GENERATED DRAWING, DO NOT MANUALLY UPDATE.			5kV, 1200A SWITCHGEAR BUSHING		
APPROVALS	DATE				
DRAWN BY: DB	11/07/2002				
CHECKED BY: RM	12/07/2002				
ENGINEERING	DB	12/07/2002			
TOOLING REF.	T15-015-3	SIZE A	DWG. NO.	15-015-300	REV. 0
PRODUCT GROUP	1500 SERIES	SCALE] : 4	CAD FILE:	1500 SERIES	SHEET 1 OF 1

8 7 6 5 4 3 2 1

8 7 6 5 4 3 2 1

REV. 0
 THE INFORMATION CONTAINED IN THIS DRAWING IS THE SOLE PROPERTY OF ENGINEERED POWER COMPONENTS LTD. ANY REPRODUCTION IN PART OR WHOLE WITHOUT THE WRITTEN PERMISSION OF ENGINEERED POWER COMPONENTS LTD. IS PROHIBITED.

DWG. NO. 15-015-400
 CAD FILE: 1500 SERIES



NOTES:
 1. ALL CONTACT SURFACES TO BE CLEAN & FREE FROM FLASH

MATERIAL:
 1. E04 - CYCLOALIPHATIC EPOXY (OUTDOOR)
 2. E06 - BISPHENOL-A EPOXY (INDOOR)
 3. HD ETP COPPER, C11000; FINISH SILVER PLATED .0005 MIN. THICKNESS

SPECIFICATIONS:
 1. RATED VOLTAGE 5kV
 2. POWER FREQUENCY WITHSTAND 19kV
 3. BASIC IMPULSE LEVEL 60KV
 4. NOMINAL CURRENT RATING 1200 AMPS
 5. LEAKAGE DISTANCE 4.25"
 6. TEMPERATURE CLASSIFICATION..... -50 °C TO +105 °C
 7. FINISHED WEIGHT 14.25 LBS.

A	REVISIONS	0
	REF.	

UNLESS OTHERWISE SPECIFIED DIMENSIONS ARE IN INCHES. TOLERANCES ARE:	
ONE PLACE MM	±0.50
TWO PLACE MM	±0.25
TWO PLACE DEC.	±0.020
THREE PLACE DEC.	±0.010
ANGLES	1°
TEMPERATURE	±5 °C
VOLTAGE	±5 %
AMPERAGE	±5 %
RESISTANCE	±5 %
* STATISTICAL DIMENSION NO. OF SAMPLES [0]	

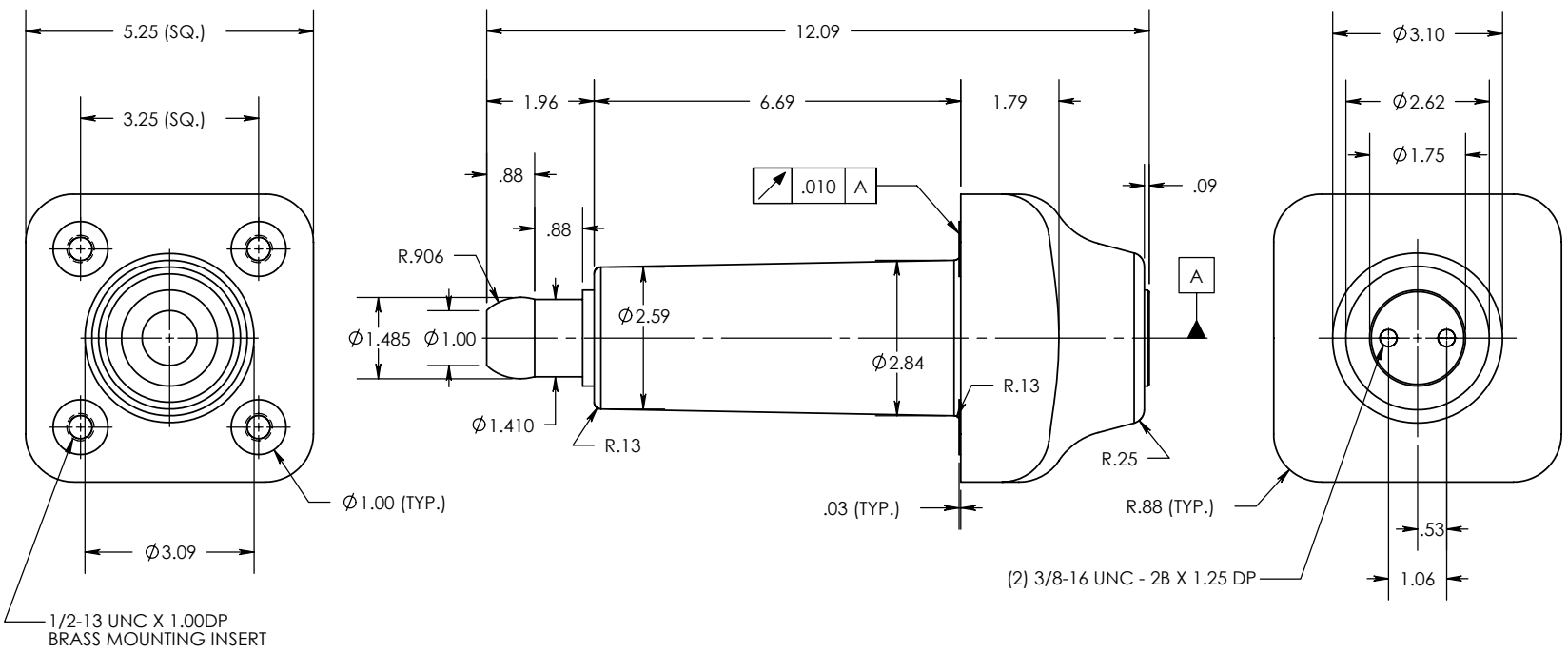
CAD GENERATED DRAWING, DO NOT MANUALLY UPDATE.			5kV, 1200A SWITCHGEAR BUSHING	
APPROVALS	DATE			
DRAWN BY:	DB	15/10/2002		
CHECKED BY:	RM	15/10/2002		
ENGINEERING	DB	15/10/2002		
TOOLING REF.	T15-015-4		SIZE A	DWG. NO. 15-015-400
PRODUCT GROUP	1500 SERIES		SCALE: 3	CAD FILE: 1500 SERIES
			SHEET 1	OF 1

8 7 6 5 4 3 2 1

8 7 6 5 4 3 2 1

REV. 0
 THE INFORMATION CONTAINED IN THIS DRAWING IS THE SOLE PROPERTY OF ENGINEERED POWER COMPONENTS LTD. ANY REPRODUCTION IN PART OR WHOLE WITHOUT THE WRITTEN PERMISSION OF ENGINEERED POWER COMPONENTS LTD. IS PROHIBITED.


DWG. NO. 15-015-401
 CAD FILE: 1500 SERIES



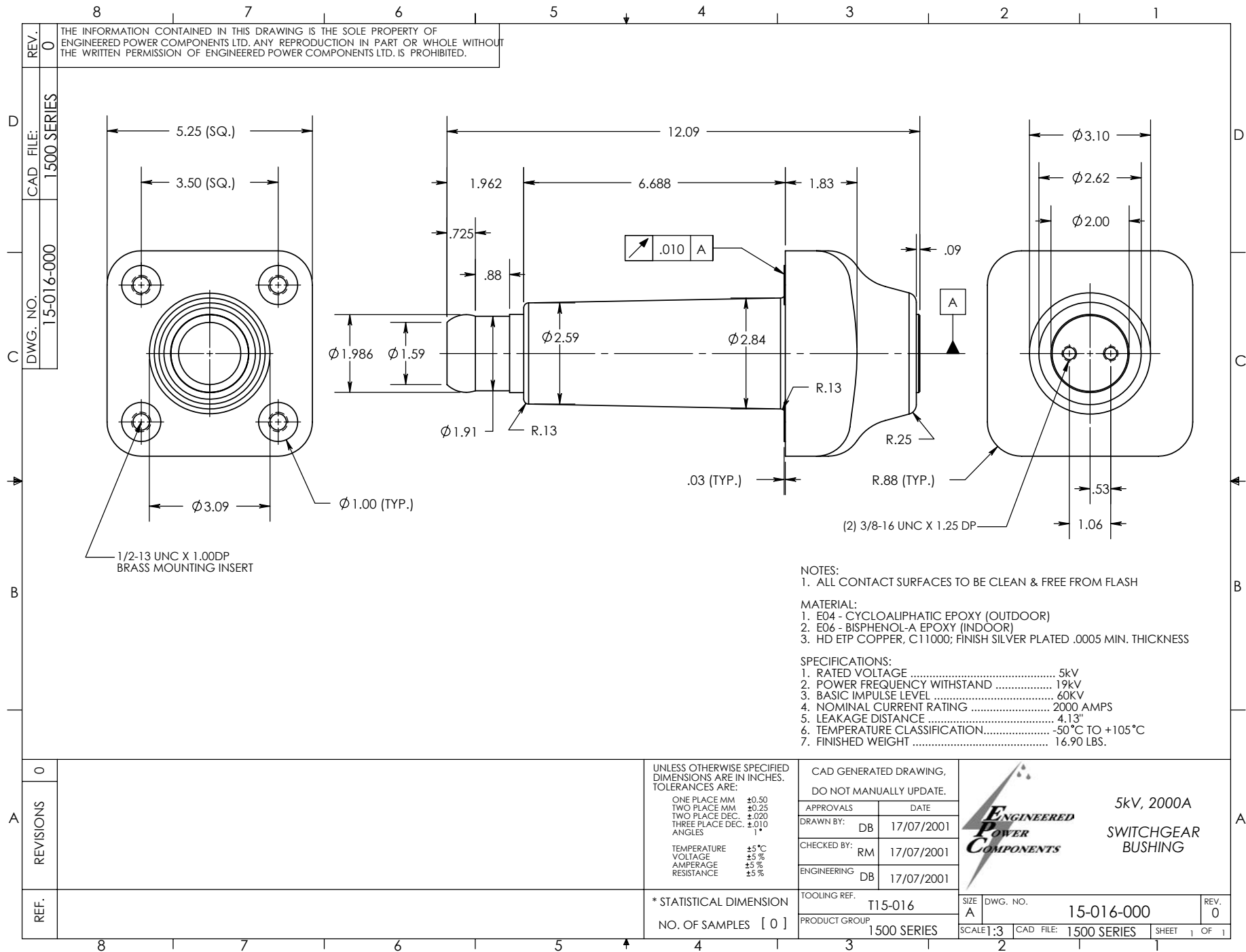
NOTES:
 1. ALL CONTACT SURFACES TO BE CLEAN & FREE FROM FLASH


MATERIAL:
 1. E04 - CYCLOALIPHATIC EPOXY (OUTDOOR)
 2. E06 - BISPHENOL-A EPOXY (INDOOR)
 3. HD ETP COPPER, C11000; FINISH SILVER PLATED .0005 MIN. THICKNESS

SPECIFICATIONS:
 1. RATED VOLTAGE 5kV
 2. POWER FREQUENCY WITHSTAND 19kV
 3. BASIC IMPULSE LEVEL 60KV
 4. NOMINAL CURRENT RATING 1200 AMPS
 5. LEAKAGE DISTANCE 4.25"
 6. TEMPERATURE CLASSIFICATION -50°C TO +105°C
 7. FINISHED WEIGHT 14.25 LBS.

A	REVISIONS	0	UNLESS OTHERWISE SPECIFIED DIMENSIONS ARE IN INCHES. TOLERANCES ARE: ONE PLACE MM ± 0.50 TWO PLACE MM ± 0.25 TWO PLACE DEC. ± 0.020 THREE PLACE DEC. ± 0.010 ANGLES 1° TEMPERATURE $\pm 5^\circ\text{C}$ VOLTAGE $\pm 5\%$ AMPERAGE $\pm 5\%$ RESISTANCE $\pm 5\%$	CAD GENERATED DRAWING, DO NOT MANUALLY UPDATE. APPROVALS _____ DATE _____ DRAWN BY: DB 17/12/2002 CHECKED BY: RM 17/12/2002 ENGINEERING DB 17/12/2002	 5kV, 1200A REPLACEMENT BUSHING (AM 4.16-250)	SIZE A DWG. NO. 15-015-401 REV. 0
	REF.	* STATISTICAL DIMENSION NO. OF SAMPLES [0]		TOOLING REF. T15-015-4 PRODUCT GROUP 1500 SERIES		

8 7 6 5 4 3 2 1

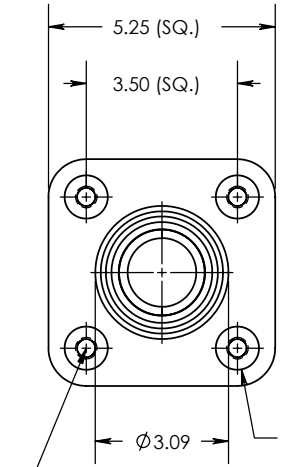


A	REVISIONS	0	UNLESS OTHERWISE SPECIFIED DIMENSIONS ARE IN INCHES. TOLERANCES ARE: ONE PLACE MM ±0.50 TWO PLACE MM ±0.25 TWO PLACE DEC. ±0.020 THREE PLACE DEC. ±0.010 ANGLES 1° TEMPERATURE ±5°C VOLTAGE ±5% AMPERAGE ±5% RESISTANCE ±5%	CAD GENERATED DRAWING, DO NOT MANUALLY UPDATE. APPROVALS DATE DRAWN BY: DB 17/07/2001 CHECKED BY: RM 17/07/2001 ENGINEERING DB 17/07/2001 TOOLING REF. T15-016 PRODUCT GROUP 1500 SERIES	 <p>5kV, 2000A SWITCHGEAR BUSHING</p>	SIZE DWG. NO. A 15-016-000 SCALE: 3 CAD FILE: 1500 SERIES SHEET 1 OF 1
	REF.					

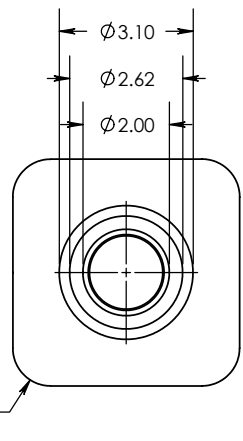
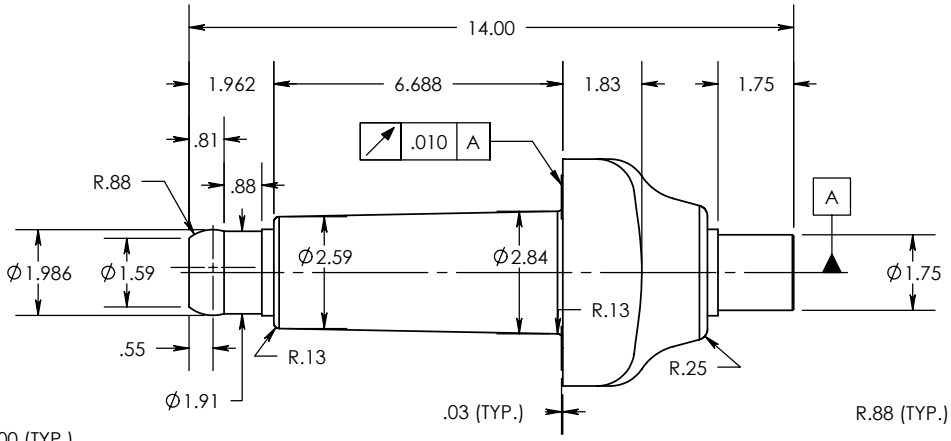
8 7 6 5 4 3 2 1

REV. 1
 THE INFORMATION CONTAINED IN THIS DRAWING IS THE SOLE PROPERTY OF ENGINEERED POWER COMPONENTS LTD. ANY REPRODUCTION IN PART OR WHOLE WITHOUT THE WRITTEN PERMISSION OF ENGINEERED POWER COMPONENTS LTD. IS PROHIBITED.

DWG. NO. 15-016-001
 CAD FILE: 1500 SERIES



1/2-13 UNC X 1.00DP
 BRASS MOUNTING INSERT



NOTES:
 1. ALL CONTACT SURFACES TO BE CLEAN & FREE FROM FLASH

MATERIAL:
 1. E09 - CYCLOALIPHATIC EPOXY (OUTDOOR)
 2. E06 - BISPHENOL-A EPOXY (INDOOR)
 3. HD ETP COPPER, C11000; FINISH SILVER PLATED .0005 MIN. THICKNESS

SPECIFICATIONS:
 1. RATED VOLTAGE 5kV
 2. POWER FREQUENCY WITHSTAND 19kV
 3. BASIC IMPULSE LEVEL 60KV
 4. NOMINAL CURRENT RATING 2000 AMPS
 5. LEAKAGE DISTANCE 4.13"
 6. TEMPERATURE CLASSIFICATION..... -50°C TO +105°C
 7. FINISHED WEIGHT 18.50 LBS.

REVISIONS	0	1
	E09 EPOXY WAS E04, 14.00 WAS 13.995 RM 05/05/2003 DB 05/05/2003	
REF.		

UNLESS OTHERWISE SPECIFIED DIMENSIONS ARE IN INCHES. TOLERANCES ARE:	
ONE PLACE MM	±0.50
TWO PLACE MM	±0.25
TWO PLACE DEC.	±0.020
THREE PLACE DEC.	±0.010
ANGLES	1°
TEMPERATURE	±5°C
VOLTAGE	±5%
AMPERAGE	±5%
RESISTANCE	±5%
* STATISTICAL DIMENSION NO. OF SAMPLES [0]	

CAD GENERATED DRAWING, DO NOT MANUALLY UPDATE.	
APPROVALS	DATE
DRAWN BY: DB	11/10/2002
CHECKED BY: RM	16/10/2002
ENGINEERING DB	16/10/2002
TOOLING REF.	T15-016-0
PRODUCT GROUP	1500 SERIES

5kV, 2000A
 SWITCHGEAR
 BUSHING

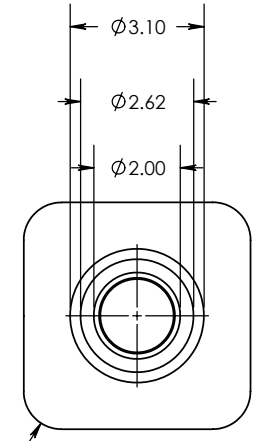
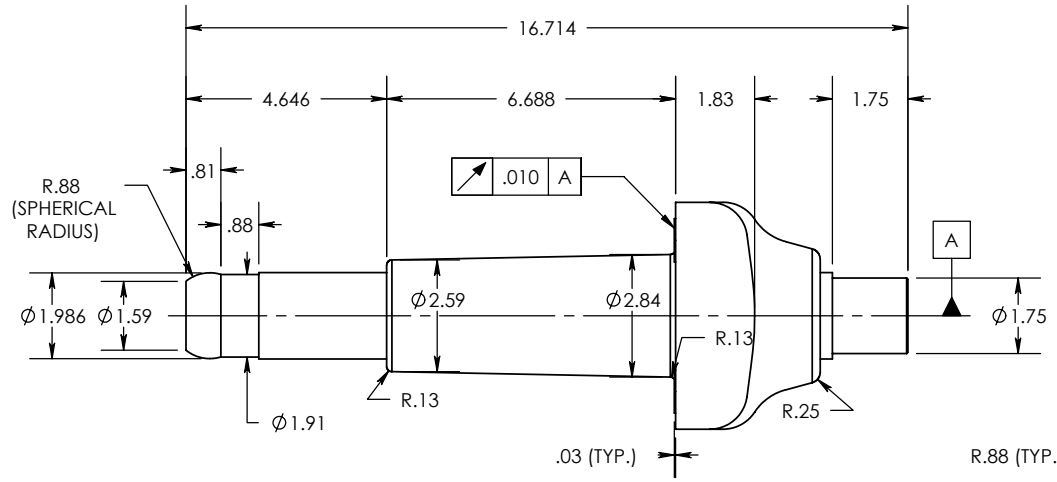
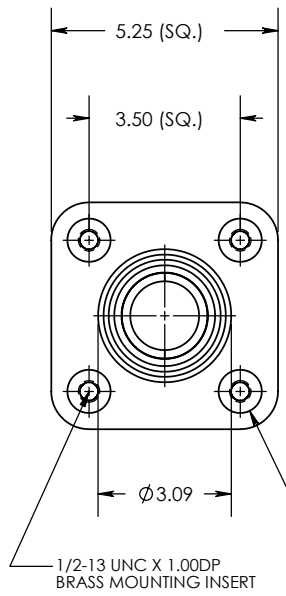
SIZE A	DWG. NO. 15-016-001	REV. 1
SCALE: 4	CAD FILE: 1500 SERIES	SHEET 1 OF 1

8 7 6 5 4 3 2 1

8 7 6 5 4 3 2 1

REV. 0
 THE INFORMATION CONTAINED IN THIS DRAWING IS THE SOLE PROPERTY OF ENGINEERED POWER COMPONENTS LTD. ANY REPRODUCTION IN PART OR WHOLE WITHOUT THE WRITTEN PERMISSION OF ENGINEERED POWER COMPONENTS LTD. IS PROHIBITED.

CAD FILE: 1500 SERIES
 DWG. NO. 15-016-002



NOTES:
 1. ALL CONTACT SURFACES TO BE CLEAN & FREE FROM FLASH

MATERIAL:
 1. E09 - CYCLOALIPHATIC EPOXY (OUTDOOR)
 2. E06 - BISPHENOL-A EPOXY (INDOOR)
 3. HD ETP COPPER, C11000; FINISH SILVER PLATED .0005 MIN. THICKNESS

SPECIFICATIONS:
 1. RATED VOLTAGE 5kV
 2. POWER FREQUENCY WITHSTAND 19kV
 3. BASIC IMPULSE LEVEL 60kV
 4. NOMINAL CURRENT RATING 2000 AMPS
 5. LEAKAGE DISTANCE 4.13"
 6. TEMPERATURE CLASSIFICATION -50°C TO +105°C
 7. FINISHED WEIGHT 21.25 LBS.

REVISIONS 0
 REF.

UNLESS OTHERWISE SPECIFIED DIMENSIONS ARE IN INCHES. TOLERANCES ARE:
ONE PLACE MM ±0.50
TWO PLACE MM ±0.25
TWO PLACE DEC. ±0.020
THREE PLACE DEC. ±0.010
ANGLES 1°
TEMPERATURE ±5 °C
VOLTAGE ±5 %
AMPERAGE ±5 %
RESISTANCE ±5 %
* STATISTICAL DIMENSION
NO. OF SAMPLES [0]

CAD GENERATED DRAWING, DO NOT MANUALLY UPDATE.	
APPROVALS	DATE
DRAWN BY: DB	25/08/2003
CHECKED BY: RM	25/08/2003
ENGINEERING: DB	25/08/2003
TOOLING REF.:	T15-016-0
PRODUCT GROUP:	1500 SERIES

5kV, 2000A
 SWITCHGEAR
 BUSHING

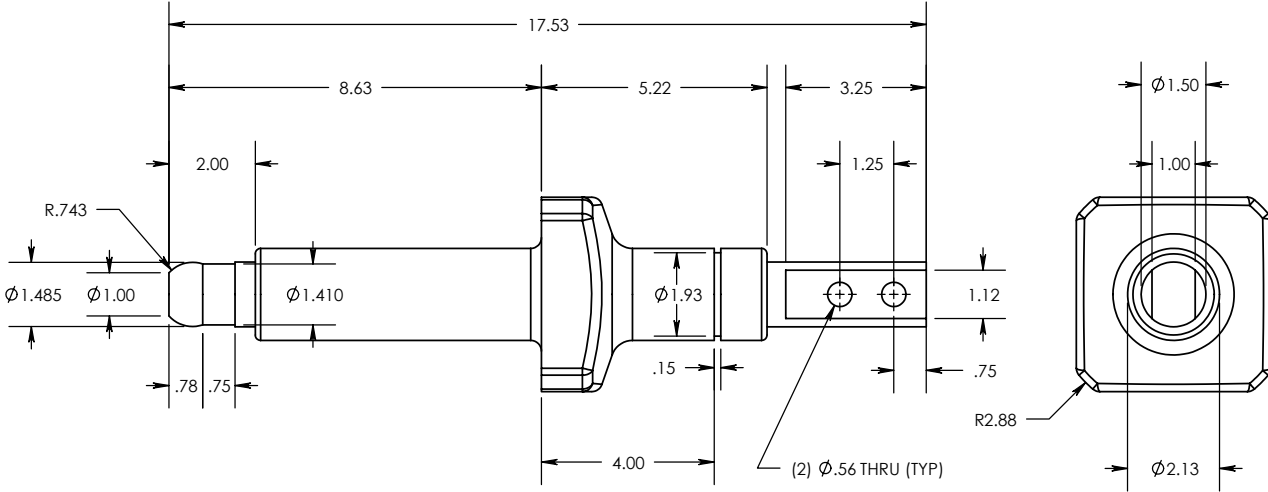
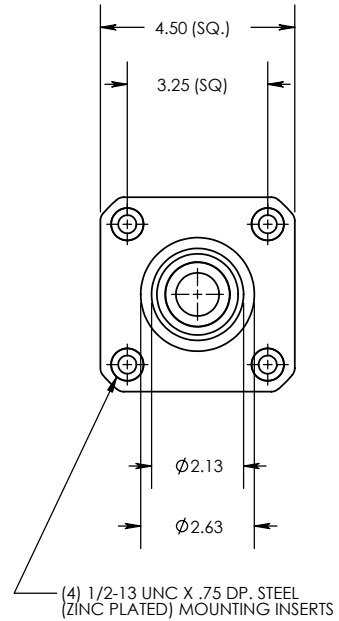
SIZE A	DWG. NO. 15-016-002	REV. 0
SCALE: 4	CAD FILE: 1500 SERIES	SHEET 1 OF 1

8 7 6 5 4 3 2 1

8 7 6 5 4 3 2 1

REV. 1 THE INFORMATION CONTAINED IN THIS DRAWING IS THE SOLE PROPERTY OF ENGINEERED POWER COMPONENTS LTD. ANY REPRODUCTION IN PART OR WHOLE WITHOUT THE WRITTEN PERMISSION OF ENGINEERED POWER COMPONENTS LTD. IS PROHIBITED.

DWG. NO. 15-000-000
 CAD FILE: 1500 SERIES



NOTES:
 1. ALL CONTACT SURFACES TO BE CLEAN & FREE FROM FLASH

MATERIAL:
 1. E04 - CYCLOALIPHATIC EPOXY
 2. C110 GRADE COPPER (SILVER PLATED)

SPECIFICATIONS:
 1. BASIC IMPULSE LEVEL 60KV
 2. NOMINAL CURRENT RATING..... 1200 AMPS
 3. TEMPERATURE CLASSIFICATION..... -5°C TO 105°C

A	REVISIONS	0	1
	MOUNTING INSERTS WERE 5/8-16 UNC DB 05-12-2000		
REF.			

UNLESS OTHERWISE SPECIFIED DIMENSIONS ARE IN INCHES. TOLERANCES ARE:
 ONE PLACE MM ±0.50
 TWO PLACE MM ±0.25
 TWO PLACE DEC. ±0.020
 THREE PLACE DEC. ±0.010
 ANGLES 1°
 TEMPERATURE ±5°C
 VOLTAGE ±5%
 AMPERAGE ±5%
 RESISTANCE ±5%

* STATISTICAL DIMENSION NO. OF SAMPLES [0]

CAD GENERATED DRAWING, DO NOT MANUALLY UPDATE.	
APPROVALS	DATE
DRAWN BY: DB	03/14/2000
CHECKED BY:	
ENGINEERING	
TOOLING REF.	T15-000-0
PRODUCT GROUP	1500 SERIES

1500 SERIES - 5KV
 G.E. MAGNABLAST
 AM VERSION (SHORT)

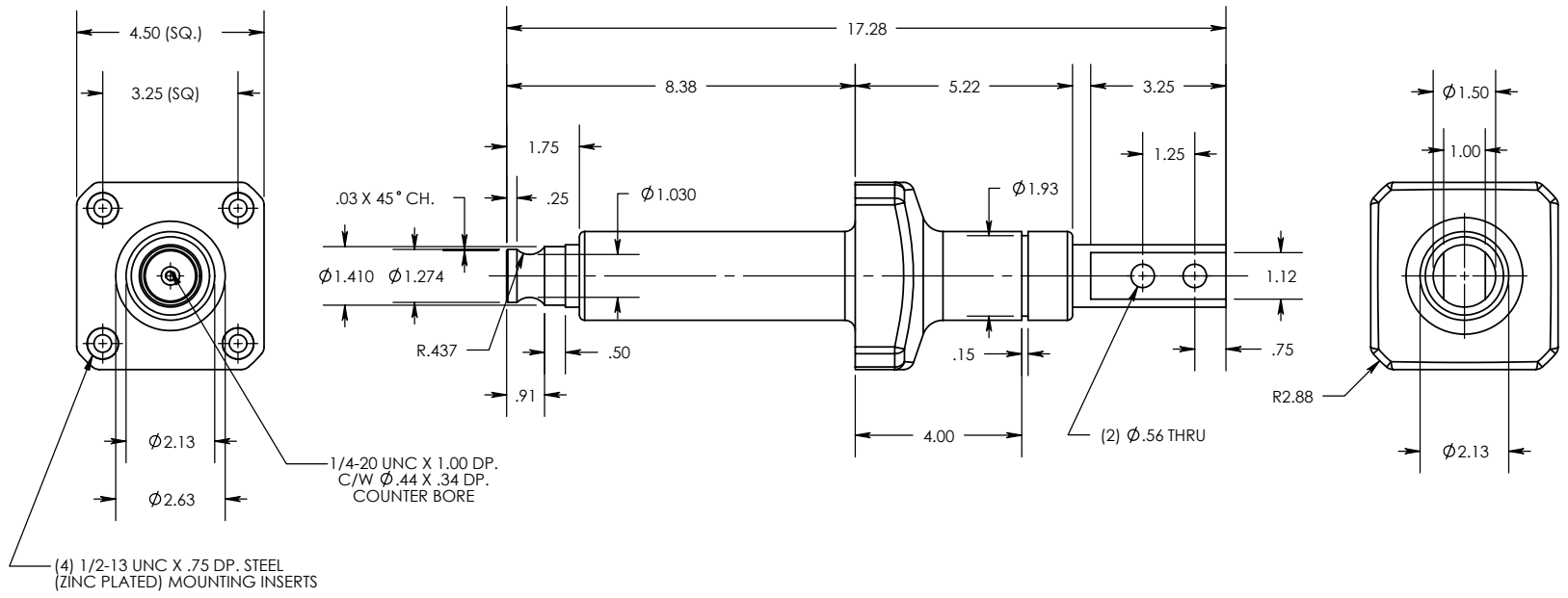
SIZE A	DWG. NO. 15-000-000	REV. 1
SCALE: 4	CAD FILE: 1500 SERIES	SHEET 1 OF 1

8 7 6 5 4 3 2 1

8 7 6 5 4 3 2 1

REV. 1 THE INFORMATION CONTAINED IN THIS DRAWING IS THE SOLE PROPERTY OF ENGINEERED POWER COMPONENTS LTD. ANY REPRODUCTION IN PART OR WHOLE WITHOUT THE WRITTEN PERMISSION OF ENGINEERED POWER COMPONENTS LTD. IS PROHIBITED.

DWG. NO. 15-000-001 CAD FILE: 1500 SERIES



(4) 1/2-13 UNC X .75 DP. STEEL (ZINC PLATED) MOUNTING INSERTS
 1/4-20 UNC X 1.00 DP. C/W $\phi .44$ X .34 DP. COUNTER BORE

NOTES:
 1. ALL CONTACT SURFACES TO BE CLEAN & FREE FROM FLASH

MATERIAL:
 1. E04 - CYCLOALIPHATIC EPOXY
 2. C110 GRADE COPPER (SILVER PLATED)

SPECIFICATIONS:
 1. BASIC IMPULSE LEVEL 60KV
 2. NOMINAL CURRENT RATING..... 1200 AMPS
 3. TEMPERATURE CLASSIFICATION..... -5°C TO 105°C

A	REVISIONS	0	1
	MOUNTING INSERTS WERE 3/8-16 UNC DB 05-12-2000		
REF.			

UNLESS OTHERWISE SPECIFIED DIMENSIONS ARE IN INCHES. TOLERANCES ARE:	CAD GENERATED DRAWING, DO NOT MANUALLY UPDATE.
ONE PLACE MM ± 0.50	APPROVALS
TWO PLACE MM ± 0.25	DATE
TWO PLACE DEC. ± 0.020	DRAWN BY: DB 03/14/2000
THREE PLACE DEC. ± 0.010	CHECKED BY: RM 05/12/2000
ANGLES 1°	ENGINEERING DB 05/12/2000
TEMPERATURE $\pm 5^\circ\text{C}$	TOOLING REF. T15-000-0
VOLTAGE $\pm 5\%$	PRODUCT GROUP 1500 SERIES
AMPERAGE $\pm 5\%$	
RESISTANCE $\pm 5\%$	

1500 SERIES - 5kV
 G.E. MAGNABLAST
 AMH VERSION (SHORT)

ENGINEERED POWER COMPONENTS

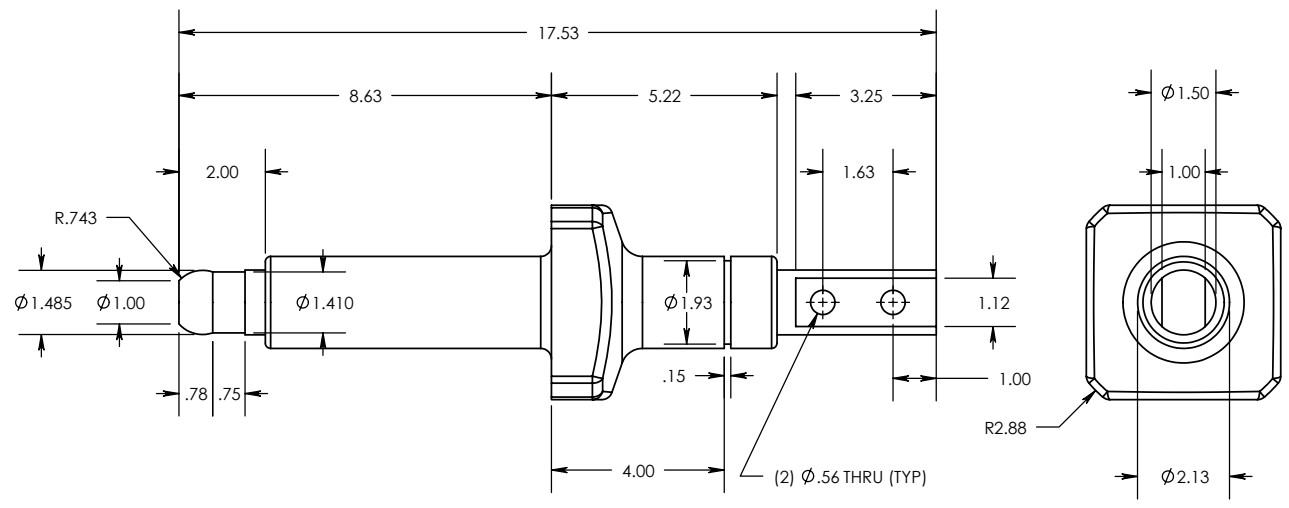
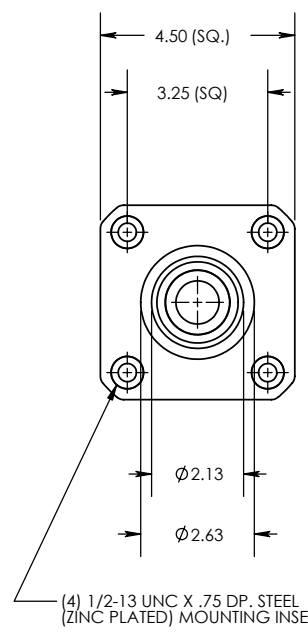
SIZE A	DWG. NO. 15-000-001	REV. 1
SCALE: 4	CAD FILE: 1500 SERIES	SHEET 1 OF 1

8 7 6 5 4 3 2 1

8 7 6 5 4 3 2 1

REV. 0
 THE INFORMATION CONTAINED IN THIS DRAWING IS THE SOLE PROPERTY OF ENGINEERED POWER COMPONENTS LTD. ANY REPRODUCTION IN PART OR WHOLE WITHOUT THE WRITTEN PERMISSION OF ENGINEERED POWER COMPONENTS LTD. IS PROHIBITED.

CAD FILE: 1500 SERIES
 DWG. NO. 15-000-002



NOTES:
 1. ALL CONTACT SURFACES TO BE CLEAN & FREE FROM FLASH

MATERIAL:
 1. E04 - CYCLOALIPHATIC EPOXY
 2. C110 GRADE COPPER (SILVER PLATED)

SPECIFICATIONS:
 1. BASIC IMPULSE LEVEL 60KV
 2. NOMINAL CURRENT RATING..... 1200 AMPS
 3. TEMPERATURE CLASSIFICATION..... -5°C TO 105°C

REVISIONS 0
 REF.

0	
---	--

UNLESS OTHERWISE SPECIFIED DIMENSIONS ARE IN INCHES. TOLERANCES ARE:
 ONE PLACE MM ±0.50
 TWO PLACE MM ±0.25
 TWO PLACE DEC. ±0.020
 THREE PLACE DEC. ±0.010
 ANGLES 1°
 TEMPERATURE ±5°C
 VOLTAGE ±5%
 AMPERAGE ±5%
 RESISTANCE ±5%

* STATISTICAL DIMENSION
 NO. OF SAMPLES [0]

CAD GENERATED DRAWING, DO NOT MANUALLY UPDATE.	
APPROVALS	DATE
DRAWN BY: DB	10/14/2000
CHECKED BY:	
ENGINEERING	
TOOLING REF.	T15-000-0
PRODUCT GROUP	1500 SERIES

1500 SERIES - 5KV
 G.E. MAGNABLAST
 AM VERSION (SHORT)

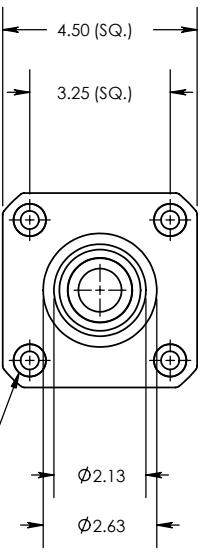
SIZE A	DWG. NO. 15-000-002	REV. 0
SCALE: 4	CAD FILE: 1500 SERIES	SHEET 1 OF 1

8 7 6 5 4 3 2 1

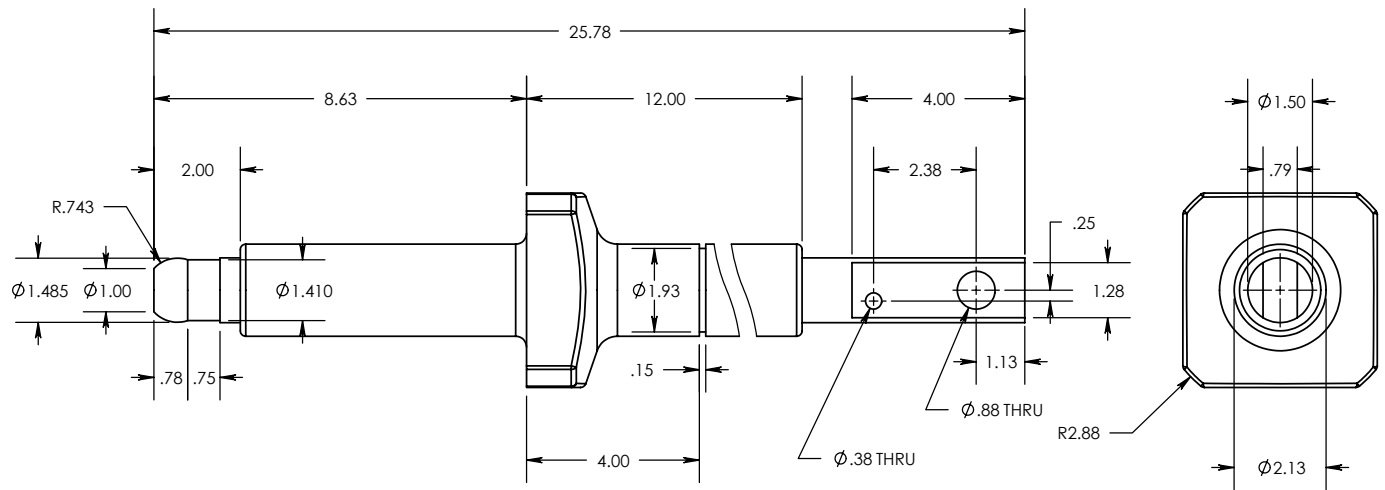
8 7 6 5 4 3 2 1

REV. 2
 THE INFORMATION CONTAINED IN THIS DRAWING IS THE SOLE PROPERTY OF ENGINEERED POWER COMPONENTS LTD. ANY REPRODUCTION IN PART OR WHOLE WITHOUT THE WRITTEN PERMISSION OF ENGINEERED POWER COMPONENTS LTD. IS PROHIBITED.

DWG. NO. 15-000-100
 CAD FILE: 1500 SERIES



(4) 1/2-13 UNC X .75 DP, STEEL (ZINC PLATED) MOUNTING INSERTS.



NOTES:
 1. ALL CONTACT SURFACES TO BE CLEAN & FREE FROM FLASH

MATERIAL:
 1. E04 - CYCLOALIPHATIC EPOXY
 2. C110 GRADE COPPER (SILVER PLATED)

SPECIFICATIONS:
 1. BASIC IMPULSE LEVEL 60KV
 2. NOMINAL CURRENT RATING..... 1200 AMPS
 3. TEMPERATURE CLASSIFICATION..... -5°C TO 105°C

0	1	2
REVISIONS	MOUNTING INSERTS WERE 3/8-16 UNC DB 05-12-2000	.79 WAS .75 DB 10-25-2000

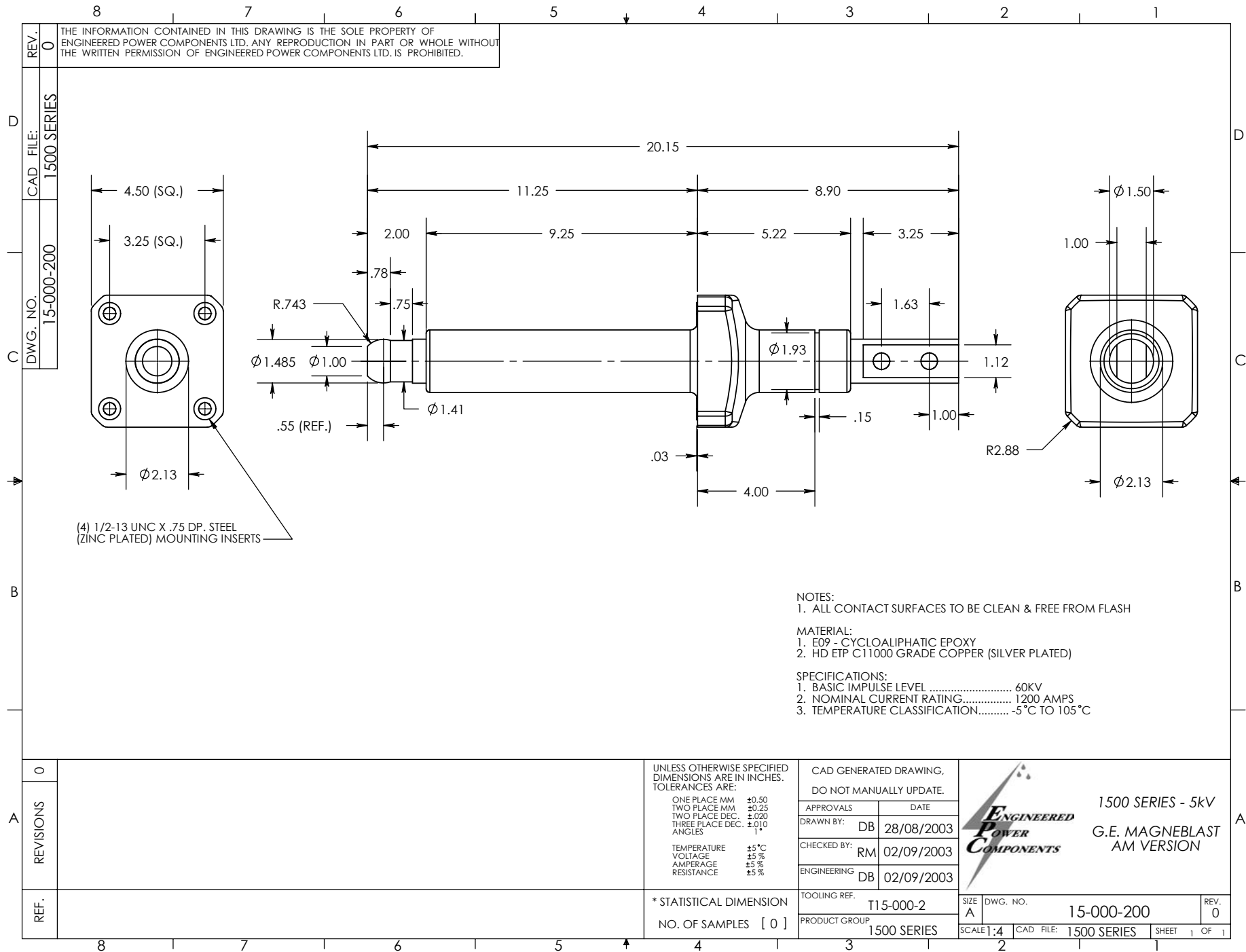
UNLESS OTHERWISE SPECIFIED DIMENSIONS ARE IN INCHES. TOLERANCES ARE:
 ONE PLACE MM ±0.50
 TWO PLACE MM ±0.25
 TWO PLACE DEC. ±0.020
 THREE PLACE DEC. ±0.010
 ANGLES 1°
 TEMPERATURE ±5°C
 VOLTAGE ±5%
 AMPERAGE ±5%
 RESISTANCE ±5%

CAD GENERATED DRAWING, DO NOT MANUALLY UPDATE.	
APPROVALS	DATE
DRAWN BY: DB	03/14/2000
CHECKED BY:	
ENGINEERING	

1500 SERIES - 5kV
 G.E. MAGNABLAST
 AM VERSION (LONG)

REF.	* STATISTICAL DIMENSION NO. OF SAMPLES [0]	TOOLING REF. T15-000-1	SIZE A	DWG. NO. 15-000-100	REV. 2
		PRODUCT GROUP 1500 SERIES	SCALE: 4	CAD FILE: 1500 SERIES	SHEET 1 OF 1

8 7 6 5 4 3 2 1




(4) 1/2-13 UNC X .75 DP. STEEL
(ZINC PLATED) MOUNTING INSERTS

NOTES:
1. ALL CONTACT SURFACES TO BE CLEAN & FREE FROM FLASH

MATERIAL:
1. E09 - CYCLOALIPHATIC EPOXY
2. HD ETP C11000 GRADE COPPER (SILVER PLATED)

SPECIFICATIONS:
1. BASIC IMPULSE LEVEL 60KV
2. NOMINAL CURRENT RATING..... 1200 AMPS
3. TEMPERATURE CLASSIFICATION..... -5°C TO 105°C

A	REVISIONS	0	UNLESS OTHERWISE SPECIFIED DIMENSIONS ARE IN INCHES. TOLERANCES ARE: ONE PLACE MM ±0.50 TWO PLACE MM ±0.25 TWO PLACE DEC. ±0.020 THREE PLACE DEC. ±0.010 ANGLES 1° TEMPERATURE ±5°C VOLTAGE ±5% AMPERAGE ±5% RESISTANCE ±5%	CAD GENERATED DRAWING, DO NOT MANUALLY UPDATE. APPROVALS _____ DATE _____ DRAWN BY: DB 28/08/2003 CHECKED BY: RM 02/09/2003 ENGINEERING DB 02/09/2003 TOOLING REF. T15-000-2 PRODUCT GROUP 1500 SERIES		1500 SERIES - 5kV		REV. 0
	REF.	0				SIZE A	DWG. NO. 15-000-200	