

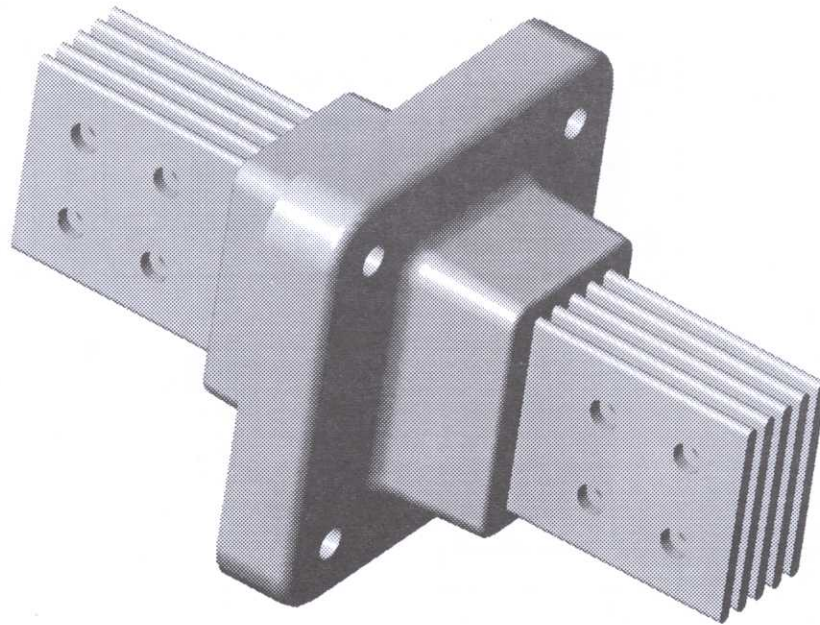
1105 SERIES

POWER TRANSFORMER
SECONDARY BUSHINGS

2.5 kV, 45 kV BIL (AIR/OIL)

CONDUCTIVITY: 99.99%

CURRENT RATING: 4000 AMP
THROUGH 6000 AMP



USE:

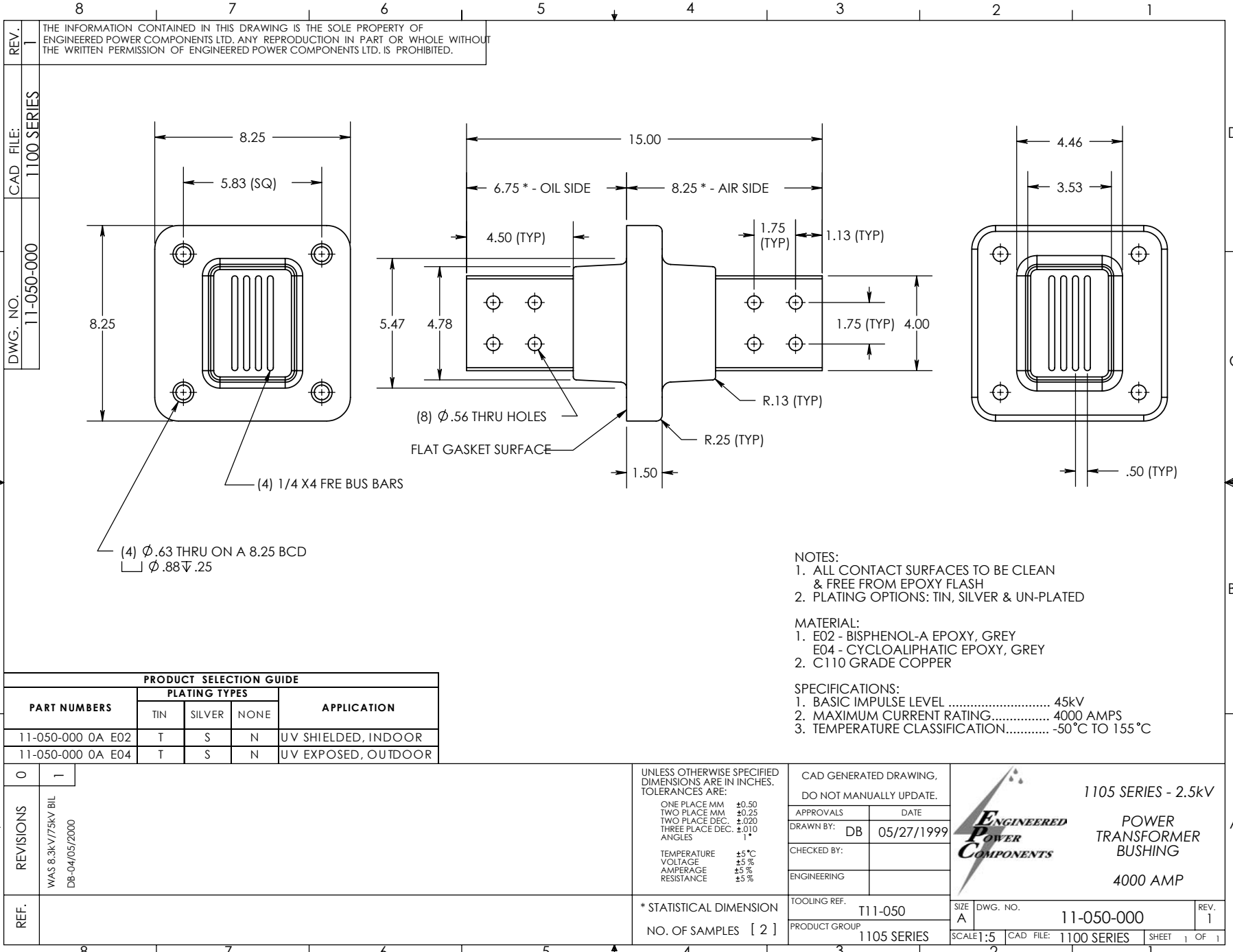
1105 Series Power Transformer Bushings are designed for use as secondary bushings in liquid filled transformer applications. Units are available for 4000 Amp to 6000 Amp applications in ambient temperature environments ranging from -50°C to 155°C. Current ratings are conservative and may be surpassed depending on termination methods.

CONSTRUCTION:

1105 Series Power Transformer Bushings are constructed of bare, silver or tin-plated C110 electrolytic copper bars with molded Bis A epoxy insulation. The multiple flat bar design offers increased surface area for superior cooling in high current applications. Copper conductors are treated prior to casting process in order to guarantee a positive oil seal.

CUSTOM OPTIONS:

Copper conductors can be configured to allow increased length or custom connection arrangements.



REV. 1
 THE INFORMATION CONTAINED IN THIS DRAWING IS THE SOLE PROPERTY OF ENGINEERED POWER COMPONENTS LTD. ANY REPRODUCTION IN PART OR WHOLE WITHOUT THE WRITTEN PERMISSION OF ENGINEERED POWER COMPONENTS LTD. IS PROHIBITED.

CAD FILE: 1100 SERIES
 DWG. NO. 11-050-000

- NOTES:
1. ALL CONTACT SURFACES TO BE CLEAN & FREE FROM EPOXY FLASH
 2. PLATING OPTIONS: TIN, SILVER & UN-PLATED

- MATERIAL:
1. E02 - BISPHENOL-A EPOXY, GREY
 - E04 - CYCLOALIPHATIC EPOXY, GREY
 2. C110 GRADE COPPER

- SPECIFICATIONS:
1. BASIC IMPULSE LEVEL 45kV
 2. MAXIMUM CURRENT RATING..... 4000 AMPS
 3. TEMPERATURE CLASSIFICATION..... -50°C TO 155 °C

PRODUCT SELECTION GUIDE				
PART NUMBERS	PLATING TYPES			APPLICATION
	TIN	SILVER	NONE	
11-050-000 0A E02	T	S	N	UV SHIELDED, INDOOR
11-050-000 0A E04	T	S	N	UV EXPOSED, OUTDOOR

0	1
REVISIONS	WAS 8.3kV/75kV BIL DB-04/05/2000

UNLESS OTHERWISE SPECIFIED DIMENSIONS ARE IN INCHES. TOLERANCES ARE:

ONE PLACE MM \pm 0.50
 TWO PLACE MM \pm 0.25
 TWO PLACE DEC. \pm 0.020
 THREE PLACE DEC. \pm 0.010
 ANGLES 1°

TEMPERATURE \pm 5 °C
 VOLTAGE \pm 5 %
 AMPERAGE \pm 5 %
 RESISTANCE \pm 5 %

CAD GENERATED DRAWING, DO NOT MANUALLY UPDATE.

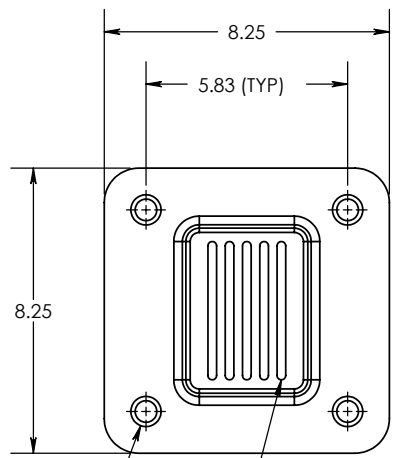
APPROVALS	DATE
DRAWN BY: DB	05/27/1999
CHECKED BY:	
ENGINEERING	

1105 SERIES - 2.5kV
 POWER TRANSFORMER BUSHING
 4000 AMP

REF.		* STATISTICAL DIMENSION NO. OF SAMPLES [2]	TOOLING REF. T11-050	SIZE A	DWG. NO. 11-050-000	REV. 1
			PRODUCT GROUP 1105 SERIES	SCALE: 5	CAD FILE: 1100 SERIES	SHEET 1 OF 1

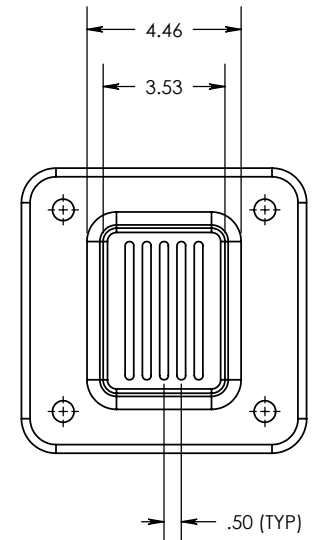
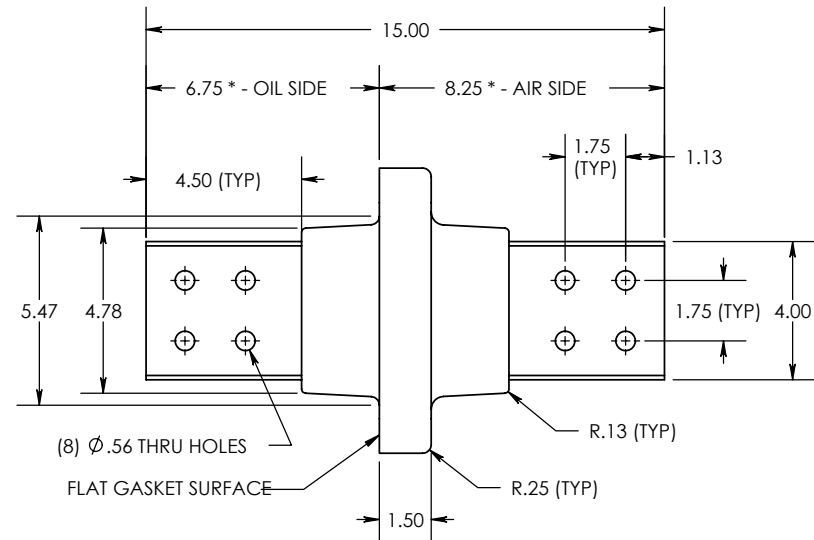
REV. 1 THE INFORMATION CONTAINED IN THIS DRAWING IS THE SOLE PROPERTY OF ENGINEERED POWER COMPONENTS LTD. ANY REPRODUCTION IN PART OR WHOLE WITHOUT THE WRITTEN PERMISSION OF ENGINEERED POWER COMPONENTS LTD. IS PROHIBITED.

DWG. NO. 11-051-000 CAD FILE: 1100 SERIES



(4) ϕ .63 THRU ON A 8.25 BCD
 \perp ϕ .88 ∇ .25

(5) 1/4 X 4 FRE BUS BARS



- NOTES:
 1. ALL CONTACT SURFACES TO BE CLEAN & FREE FROM EPOXY FLASH
 2. PLATING OPTIONS: TIN, SILVER & UN-PLATED

- MATERIAL:
 1. E02 - BISPHENOL-A EPOXY, GREY
 E04 - CYCLOALIPHATIC EPOXY, GREY
 2. C110 GRADE COPPER

- SPECIFICATIONS:
 1. BASIC IMPULSE LEVEL 45KV
 2. MAXIMUM CURRENT RATING..... 5000 AMPS
 3. TEMPERATURE CLASSIFICATION..... -50°C TO 155°C

PRODUCT SELECTION GUIDE

PART NUMBERS	PLATING TYPES			APPLICATION
	TIN	SILVER	NONE	
11-051-000 0A E02	T	S	N	UV SHIELDED, INDOOR
11-051-000 0A E04	T	S	N	UV EXPOSED, OUTDOOR

REVISIONS	0	1
WAS 8.3KV/7.5KV BIL DB-04/05/2000		

UNLESS OTHERWISE SPECIFIED DIMENSIONS ARE IN INCHES. TOLERANCES ARE:
 ONE PLACE MM \pm 0.50
 TWO PLACE MM \pm 0.25
 TWO PLACE DEC. \pm 0.020
 THREE PLACE DEC. \pm 0.010
 ANGLES 1°
 TEMPERATURE \pm 5°C
 VOLTAGE \pm 5%
 AMPERAGE \pm 5%
 RESISTANCE \pm 5%

CAD GENERATED DRAWING, DO NOT MANUALLY UPDATE.
 APPROVALS DATE
 DRAWN BY: DB 05/27/1999
 CHECKED BY:
 ENGINEERING



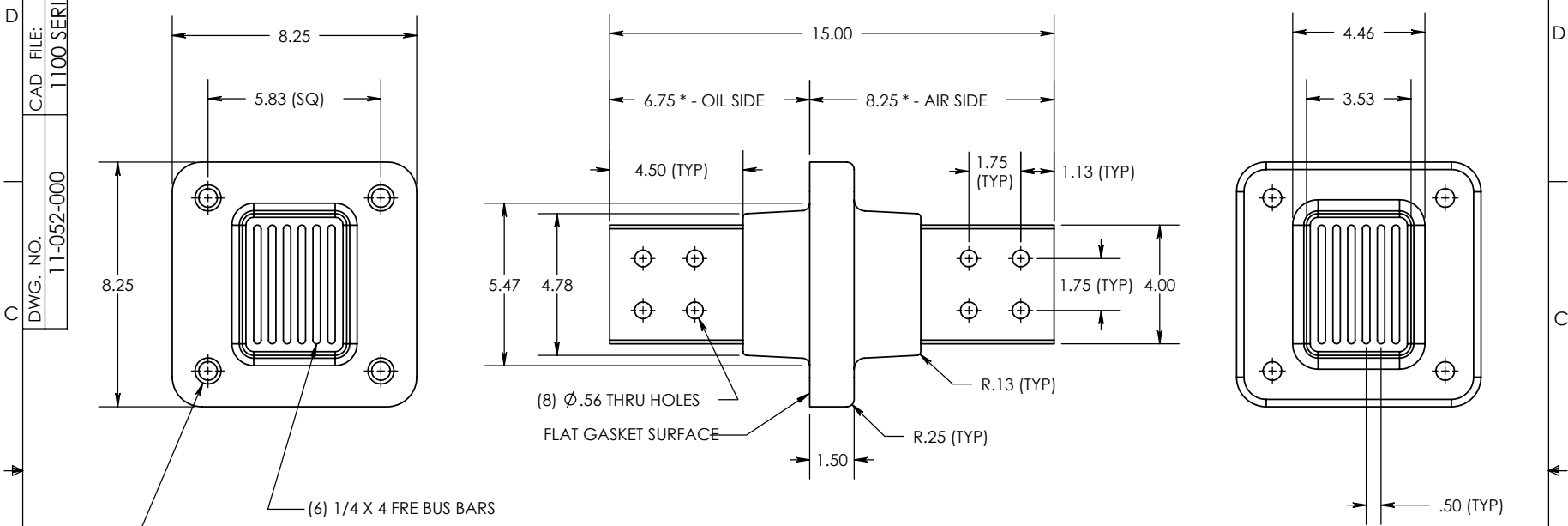
1105 SERIES - 2.5KV
 POWER TRANSFORMER BUSHING
 5000 AMP

REF. * STATISTICAL DIMENSION NO. OF SAMPLES [2]

TOOLING REF. T11-051	SIZE A	DWG. NO. 11-051-000	REV. 1
PRODUCT GROUP 1105 SERIES	SCALE: 5	CAD FILE: 1100 SERIES	SHEET 1 OF 1

REV. 1
 DWG. NO. 11-052-000
 CAD FILE: 1100 SERIES

THE INFORMATION CONTAINED IN THIS DRAWING IS THE SOLE PROPERTY OF ENGINEERED POWER COMPONENTS LTD. ANY REPRODUCTION IN PART OR WHOLE WITHOUT THE WRITTEN PERMISSION OF ENGINEERED POWER COMPONENTS LTD. IS PROHIBITED.



- NOTES:
1. ALL CONTACT SURFACES TO BE CLEAN & FREE FROM EPOXY FLASH
 2. PLATING OPTIONS: TIN, SILVER & UN-PLATED

- MATERIAL:
1. E02 - BISPHENOL-A EPOXY, GREY
E04 - CYCLOALIPHATIC EPOXY, GREY
 2. C110 GRADE COPPER

- SPECIFICATIONS:
1. BASIC IMPULSE LEVEL 45kV
 2. MAXIMUM CURRENT RATING..... 6000 AMPS
 3. TEMPERATURE CLASSIFICATION..... -50°C TO 155°C

PRODUCT SELECTION GUIDE				
PART NUMBERS	PLATING TYPES			APPLICATION
	TIN	SILVER	NONE	
11-052-000 0A E02	T	S	N	UV SHIELDED, INDOOR
11-052-000 0A E04	T	S	N	UV EXPOSED, OUTDOOR

REV.	DESCRIPTION
0	1
1	WAS 8.3kV/75kV BIL DB-04/05/2000

UNLESS OTHERWISE SPECIFIED DIMENSIONS ARE IN INCHES. TOLERANCES ARE:

ONE PLACE MM ± 0.50
 TWO PLACE MM ± 0.25
 TWO PLACE DEC. ± 0.020
 THREE PLACE DEC. ± 0.010
 ANGLES 1°

TEMPERATURE $\pm 5\%$
 VOLTAGE $\pm 5\%$
 AMPERAGE $\pm 5\%$
 RESISTANCE $\pm 5\%$

CAD GENERATED DRAWING, DO NOT MANUALLY UPDATE.	
APPROVALS	DATE
DRAWN BY: DB	05/27/1999
CHECKED BY:	
ENGINEERING	
TOOLING REF.	T11-052
PRODUCT GROUP	1105 SERIES

1105 SERIES - 2.5kV

ENGINEERED POWER COMPONENTS

POWER TRANSFORMER BUSHING

6000 AMP

SIZE A	DWG. NO. 11-052-000	REV. 1
SCALE: 5	CAD FILE: 1100 SERIES	SHEET 1 OF 1

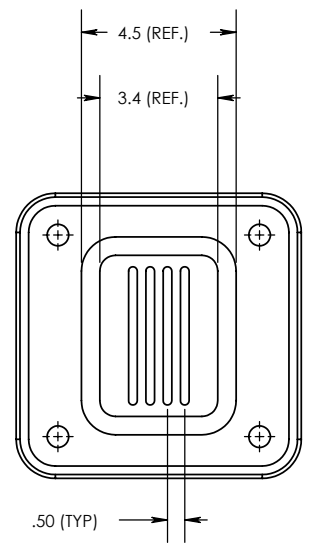
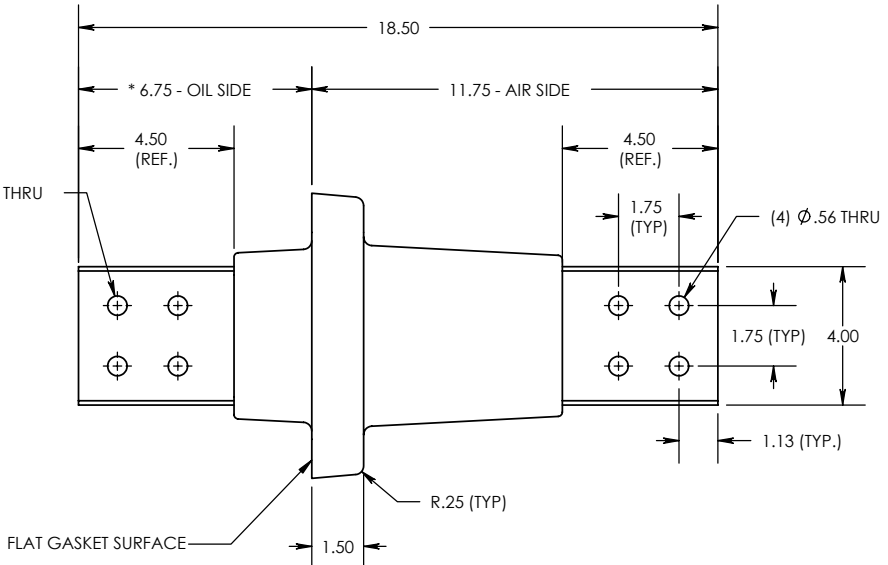
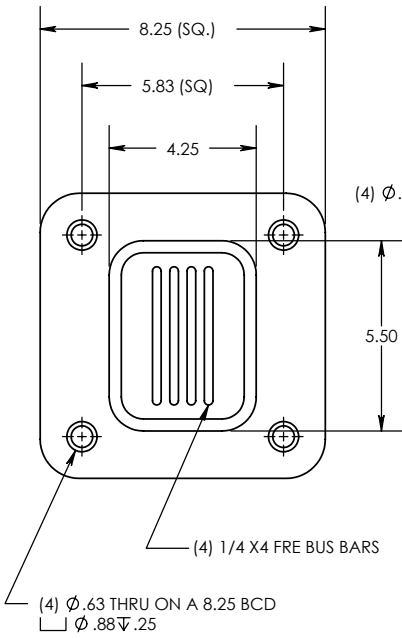
* STATISTICAL DIMENSION
 NO. OF SAMPLES [2]

8 7 6 5 4 3 2 1

REV. 0
 THE INFORMATION CONTAINED IN THIS DRAWING IS THE SOLE PROPERTY OF ENGINEERED POWER COMPONENTS LTD. ANY REPRODUCTION IN PART OR WHOLE WITHOUT THE WRITTEN PERMISSION OF ENGINEERED POWER COMPONENTS LTD. IS PROHIBITED.

ITEM NO.	QTY.	PART NO.	DESCRIPTION
1	1	11-050-1	BUSHING, EPOXY
2	4	11-050-100 A01	COPPER BUS BAR

DWG. NO. 11-050-100
 CAD FILE: 1100 SERIES



NOTES:
 1. ALL CONTACT SURFACES TO BE CLEAN & FREE FROM EPOXY FLASH
 2. PLATING OPTIONS: TIN, SILVER & UN-PLATED
 3. RECOMMENDED OPENING, 4.25" X 5.50"

MATERIAL:
 1. E06 - BISPHENOL-A EPOXY, GREY
 E07 - CYCLOALIPHATIC EPOXY, GREY
 2. ETP HD C11000 GRADE COPPER

SPECIFICATIONS:
 1. BASIC IMPULSE LEVEL 95KV
 2. MAXIMUM CURRENT RATING..... 4000 AMPS
 3. TEMPERATURE CLASSIFICATION..... -50°C TO 155°C

REV.	REVISIONS
0	

UNLESS OTHERWISE SPECIFIED DIMENSIONS ARE IN INCHES. TOLERANCES ARE: ONE PLACE MM ±0.50 TWO PLACE MM ±0.25 TWO PLACE DEC. ±0.020 THREE PLACE DEC. ±0.010 ANGLES 1° TEMPERATURE ±5°C VOLTAGE ±5% AMPERAGE ±5% RESISTANCE ±5%	CAD GENERATED DRAWING, DO NOT MANUALLY UPDATE. APPROVALS: DB 15/11/2002 DRAWN BY: DB 15/11/2002 CHECKED BY: RM 18/11/2002 ENGINEERING: DB 18/11/2002 TOOLING REF. T11-050-1 PRODUCT GROUP 1100 SERIES
--	---

1100 SERIES - 15KV
ENGINEERED POWER COMPONENTS
 POWER TRANSFORMER BUSHING
 4000 AMP

SIZE A	DWG. NO. 11-050-100	REV. 0
SCALE: 1:5	CAD FILE: 1100 SERIES	SHEET 1 OF 1

8 7 6 5 4 3 2 1