

Shedmount Wildlife Guards

Central Moloney, Inc.
Components Operation
An ISO 9001 Certified Company

Product Data Sheet

Introducing The "Mini-Shedmount"

Introduction

Central Moloney Components, a leader in molded components for the electrical distribution industry, is proud to announce an expanded line of wildlife guards. The Mini-Shedmount guard is now available for those applications where a shorter guard is preferred. The Mini-Shedmount shares all the features of the very successful Shedmount guard.

In addition to a full 3.50 inch reduction in height, the Mini-Shedmount features a larger diameter body for use on larger diameter bushings or arresters. It can handle shed diameters up to 5.38 inches. One advantage of the shorter guard is it helps to prevent misapplication. Note, guards of this type are not primary insulators and should not be applied over more than the top shed of the bushing being protected.

We've got you covered! For the ultimate hinged body guard, for new or retrofit application, full size or short, specify the Central Moloney Shedmount or Mini-Shedmount wildlife guard.

Design

CMI Shedmount guards are molded from premium grade, track resistant, UV inhibited polypropylene copolymer. Design tests and more than 16 years of field experience with this material have proven the durability and weathering

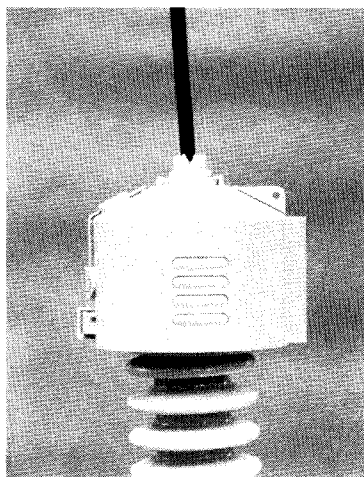


Fig 1 Mini-Shedmount Guard

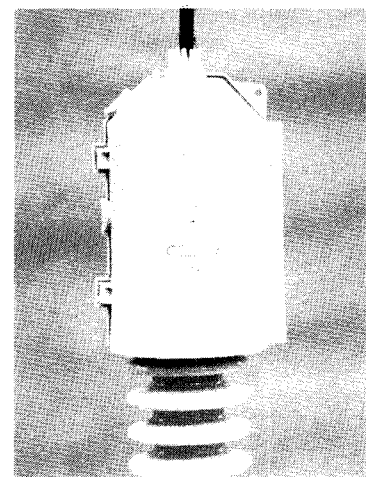


Fig 2 Shedmount Guard

characteristics of this polymer.

Heavy wall construction (.075") provides a rigid body which holds its shape for precise latch alignment.

Flexible fingers at the cable entrances and mounting throat permit easy installation, eliminating the need to cut the guard to fit various cable sizes. Oversized cable ports are effectively blocked with fingers to prevent wildlife ingress on unused ports.

Three uniquely designed latches positively hold these guards closed, but are designed to be easily unlatched for guard removal. Guards without this feature, which have to be cut off, cannot be reused.

A standard feature on the CMI Shedmount guards is a convenient handling eyelet. This eyelet is used for securing shipment with transformers and handling in the field.

Knockouts are conveniently located on the side of each guard for use with gap type lightning arresters.



Fig 3 Unlatchable Feature

Application

The CMI Shedmount series of wild guards mount on all common distribution transformer high voltage bushings and arresters. The one piece hinged design, with flexible fingers at the bottom opening, mounts securely between the first and second shed

Shedmount Wildlife Guards

Part Dimensions

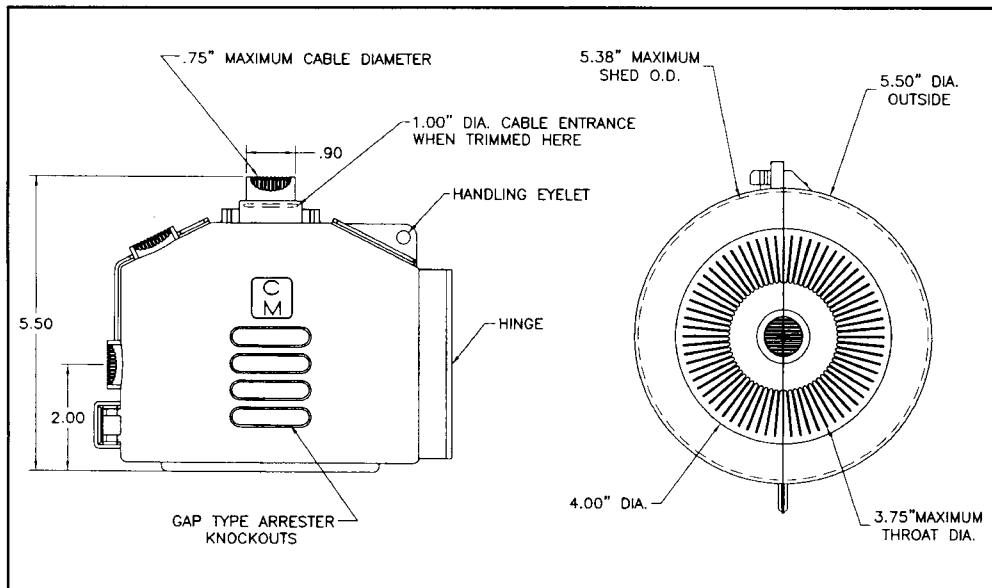


Fig 4 Mini-Shedmount Guard

Part No. 70380340

Std. Box Count 50

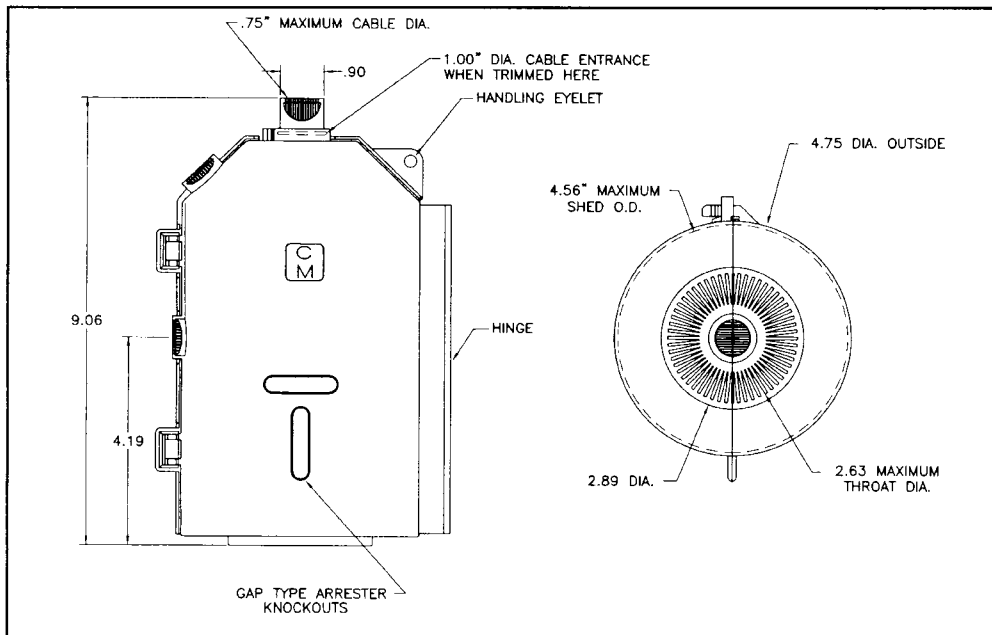


Fig 5 Shedmount Guard

Part No. 70380330

Std. Box Count 100

Shedmount & Mini-Shedmount Guard Features

- Solid latches which are reversible
- Convenient handling eyelet
- Thick wall construction for rigidity
- U.V. and track resistant polypropylene copolymer material
- Large cable ports for insulated cable

Central Moloney, Inc. Components Operation

An ISO 9001 Certified Company

5500 Jefferson Parkway Pine Bluff, Arkansas 71602 Tel. 870-247-5320 Fax 870-247-5369