

ERMCO COMPONENTS, INC.

TITLE

32B928009
CONT ON SH 2 SH 1

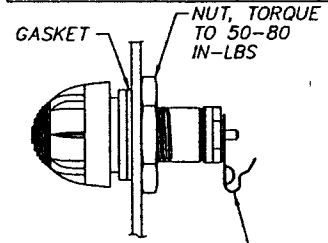
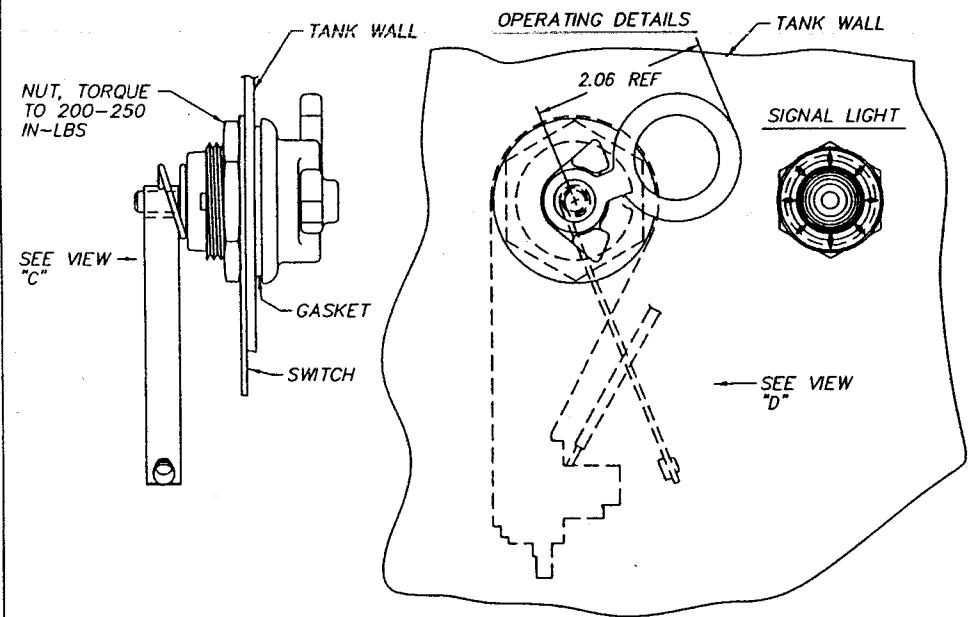
UNLESS OTHERWISE SPECIFIED, TOLERANCES ARE

SURFACES	2 PL. DEC	3 PL. DEC	ANGLES
✓	±	±	± DEG

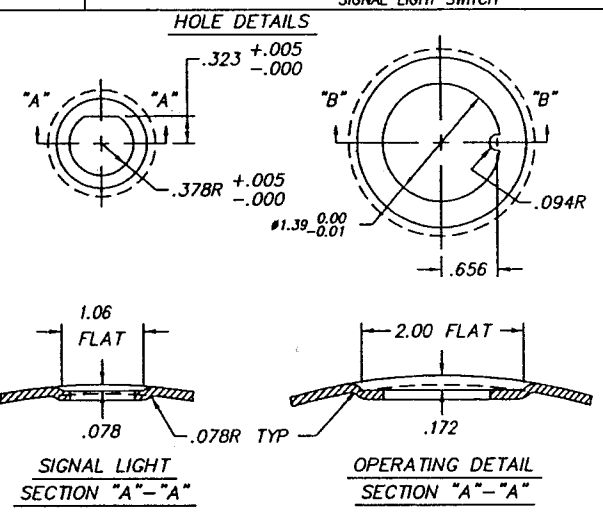
OUTLINE (OVERLOAD SWITCH ASM)

FIRST MADE FOR

SIGNAL LIGHT SWITCH



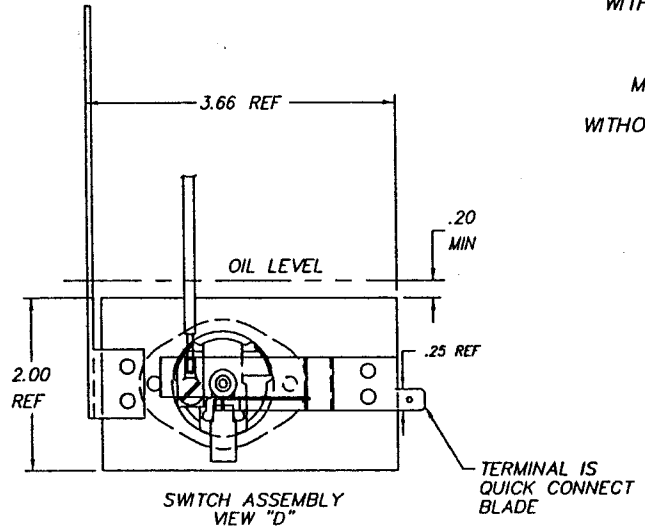
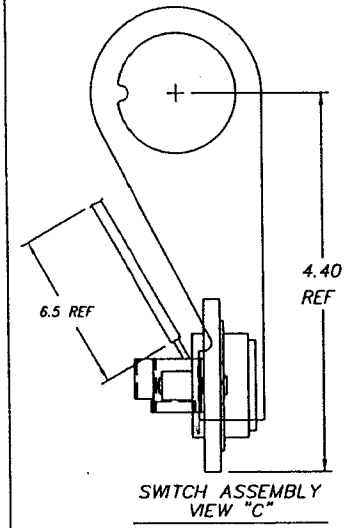
WIRE TO BE INSERTED IN SPRING CLIP FOR CONNECTION



Model Number
7591ZB1099
WITH SIGNAL LIGHT

Model Number
7591ZB1399
WITHOUT SIGNAL LIGHT

- NOTES:
1. SWITCHES CLOSES AT 110°C ±4°C
 2. REPEATED MANUAL CLOSING OF THE SWITCH (I.E. BY SNAPPING THE BIMETALLIC DISC.) CAN CAUSE CALIBRATION CHANGE.
 3. IT IS RECOMMENDED THAT THE DEVICE BE MOUNTED WITH THE UPPER EDGE OF THE SUPPORT NO MORE THAN 1" BELOW THE OIL LEVEL.



REVISIONS	DATE	BY	REASON	APPROVALS
1	G.DAVIS FEB 22, 1991			
ADD	7591ZB1199			
2	D.KANUPP 7/27/94			
ADD	SHT. 2			
3	S.A. WILSON 26 OCT 95			
ADD	NOTE 3 (ECON F55)			
4	J.S. Jones 29 Apr 97			
Chg	Dim ECON / F169			
5	STULPIN 29-JAN-99			
UPDATED	TEMPLATE			

MADE BY	G.DAVIS SEPT. 01, 1989	APPROVALS	
ISSUED BY	S. STULPIN 29-JAN-99	HICKORY ERMCO	32B928009
			CONT ON SH 2 SH 1

A4-11

01/99